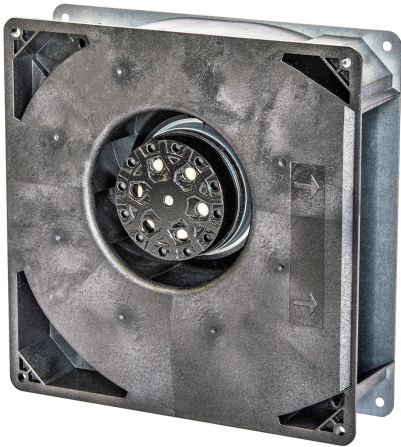


AB

22056-F

220x220x56mm(8.66"x8.66"x2.2") **CE**



HOUSING	Plastic(PC+20% glass fiber)+Metal Piece
IMPELLER	Plastic PA. Covering Glass Fiber
BEARING	Ball or Sleeve
OPERATING TEMPERATURE	-10°C to + 70°C
INSULATION	Class B
OPERATING VOLTAGE RANGE	103 VAC to 106 VAC for 115V Type 207 VAC to 253 VAC for 230V Type
DIELECTRIC STRENGTH	5mA Max. at 1500 VAC for 1 second
INSULATION RESISTANCE	10M Ω min. @500 VDC
MOTOR TYPE	Shaded Pole Motor
SAFETY	Thermally Protected
TERMINATION	Lead Wire
WEIGHT	1.73kg
ROHS COMPLIANCE	Yes
IP LEVEL	IP21 (Special IP Rating On Request)

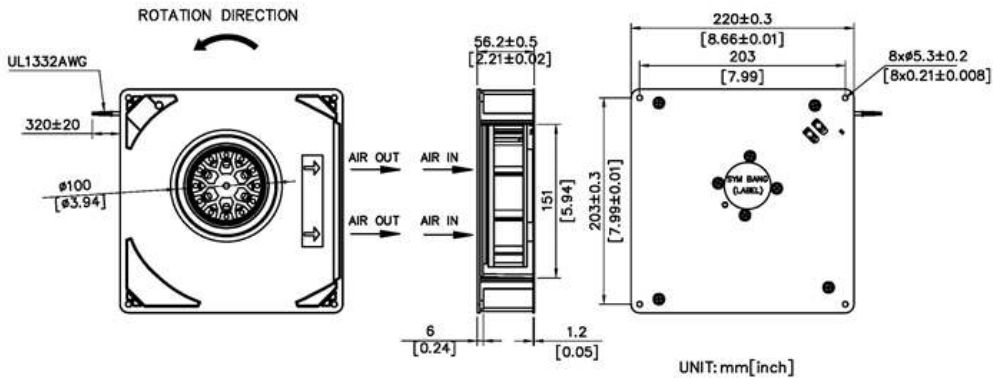
220

 mm

SPECIFICATION

MODEL NO.	RATED VOLTAGE(V)	RATED CURRENT(A)	INPUT POWER(W)	SPEED (RPM)	MAX. AIR PRESSURE		MAX. AIR FLOW		NOISE dB(A) @1M
					inchH2O	mmH2O	CFM	m3/min	
AB22056V1HBL-F	115	0.70/0.60	50/52	2700/2900	1.3/1.8	33/46	118/126	3.3/3.6	63/65
AB22056V2HBL-F	230	0.40/0.30	50/53	2700/2900	1.3/1.8	33/46	118/126	3.3/3.6	63/65

DIMENSION



SYMBANG

AIR PERFORMANCE

