

Max. 440 m³/h

DC axial fans

□ 119 x 38 mm



- **Material:** Housing: Die-cast aluminum
Impeller: GRP¹⁾ (PA)
 - **Direction of air flow:** Intake over struts
 - **Direction of rotation:** Clockwise, looking towards rotor
 - **Connection:** Via single wires
AWG 22 UL 1007, TR 64
 - **Highlights:** Housing with grounding lug for screw M4 x 8 (Torx)
 - **Weight:** 390 g
- **Possible special versions:** (See chapter DC fans - specials)
 - Speed signal
 - Go / NoGo alarm
 - Alarm with speed limit
 - External temperature sensor
 - Internal temperature sensor
 - PWM control input
 - Analog control input
 - Moisture protection
 - Salt spray protection
 - Degree of protection: IP 54 / IP 68

1) Fiberglass-reinforced plastic

Series 4100 N
High Performance

Nominal data

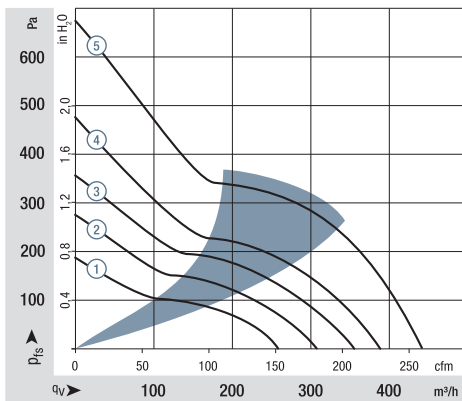
Type	Air flow		Nominal voltage	Voltage range	Sound pressure level	Sound power level	Sinter sleeve bearings Ball bearings	Power consumption*	Nominal speed	Temperature range	Service life L ₁₀ (40 °C) ebm-papst standard	Service life L ₁₀ (T _{max}) ebm-papst standard	Life expectancy L ₁₀ (IPC (40 °C) see page 17	Curve
	m ³ /h	cfm												
4112 NHH	260	153	12	9...15	60	6.8	■	13.3	5 000	-20...+65	70 000 / 55 000	117 500	117 500	①
4112 NH3	310	182	12	9...15	65	7.2	■	21.6	6 000	-20...+65	65 000 / 37 500	110 000	110 000	②
4112 NH4	355	209	12	9...14	67	7.4	■	32.0	6 800	-20...+65	62 500 / 35 000	105 000	105 000	③
4114 NHH	260	153	24	16...30	60	6.8	■	12.4	5 000	-20...+65	70 000 / 52 500	117 500	117 500	①
4114 NH3	310	182	24	16...30	65	7.2	■	19.5	6 000	-20...+65	65 000 / 37 500	110 000	110 000	②
4114 NH4	355	209	24	16...30	67	7.4	■	30.0	6 800	-20...+65	62 500 / 35 000	105 000	105 000	③
4114 NH5 <i>S-Force</i>	390	230	24	16...30	70	7.6	■	45.0*	7 500	-20...+65	62 500 / 35 000	105 000	105 000	④
4114 NH6 <i>S-Force</i>	440	259	24	16...30	73	8.1	■	65.0*	8 400	-20...+65	60 000 / 32 500	102 500	102 500	⑤
4118 NHH	260	153	48	36...60	60	6.8	■	12.0	5 000	-20...+65	70 000 / 52 500	117 500	117 500	①
4118 NH3	310	182	48	36...60	65	7.2	■	20.0	6 000	-20...+65	65 000 / 37 500	110 000	110 000	②
4118 NH4	355	209	48	36...60	67	7.4	■	28.0	6 800	-20...+65	62 500 / 35 000	105 000	105 000	③
4118 NH5 <i>S-Force</i>	390	230	48	36...60	70	7.6	■	45.0*	7 500	-20...+65	62 500 / 35 000	105 000	105 000	④
4118 NH6 <i>S-Force</i>	440	259	48	36...60	73	8.1	■	62.0*	8 400	-20...+65	60 000 / 32 500	102 500	102 500	⑤

Subject to change

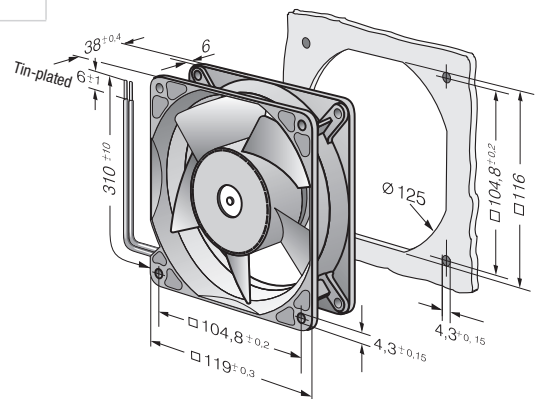
* Power consumption at free air flow. These values can be significantly higher in the operating point.

*** Power consumption – in operation**

Fan type	optimum operating range (W)
4114 NH5	55
4114 NH6	95
4118 NH5	55
4118 NH6	95



Air performance measured according to: ISO 5801.
Installation category A, without contact protection.
Noise: Total sound power level L_{WA} ISO 103002 measured on a hemisphere with a radius of 2 m.
Sound pressure level L_{pA} measured at 1 m distance from fan axis.
The values given are applicable only under the specified measuring conditions and may differ depending on the installation conditions.
In the event of deviation from the standard configuration, the parameters must be checked after installation!
For detailed information see <http://www.ebmpapst.com/general-conditions>



Max. 570 m³/h
S-Force

DC axial fans

□ 119 x 38 mm



- **Material:** Housing: Die-cast aluminum
Impeller: GRP¹⁾ (PA)
- **Direction of air flow:** Intake over struts
- **Direction of rotation:** Clockwise, looking towards rotor
- **Connection:** Via single wires AWG 18, 20 or AWG 22, TR 64, speed signal and control input AWG 22
- **Highlights:** Highly efficient and smoothly operating 3-phase fan drive
Housing with grounding lug for screw M4 x 8 (Torx)
- **Weight:** 425 g

- **Possible special versions:**
(See chapter DC fans - specials)
 - Speed signal
 - Go / NoGo alarm
 - Alarm with speed limit
 - External temperature sensor
 - Internal temperature sensor
 - PWM control input (standard)
 - Analog control input
 - Moisture protection
 - Salt spray protection

1) Fiberglass-reinforced plastic

Series 4100 N
High Performance

Nominal data

Type	Air flow		Nominal voltage	Voltage range	Sound pressure level	Sound power level	Sintec sleeve bearings Ball bearings	Power consumption**	Nominal speed	Temperature range	Service life L ₁₀ (40 °C) ebm-papst standard	Service life L ₁₀ (T _{max}) ebm-papst standard	Life expectancy L ₁₀ IPC (40 °C) see page 17	Curve
	m ³ /h	cfm												
4114 N/2 H7P	500	294	24	16...30	76	8.5	■	90	9 500	-20...+75	57 500 / 25 000	97 500	①	
4114 N/2 H8P	570	336	24	16...30	78	8.9	■	120	11 000	-20...+75	55 000 / 22 500	92 500	②	
4118 N/2 H7P	500	294	48	36...60*	76	8.5	■	90	9 500	-20...+75	57 500 / 25 000	97 500	①	
4118 N/2 H8P	570	336	48	36...60*	78	8.9	■	120	11 000	-20...+75	55 000 / 22 500	92 500	②	

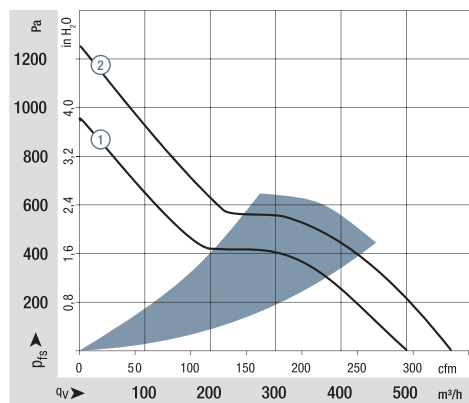
Subject to change

* 36...72 VDC on request.

Speed control range from 500 rpm⁻¹ up to maximum nominal speed.
Standstill at 0% PWM, maximum speed if control cable is interrupted.
To attain the specified service life, an external capacitor must be wired between the plus and minus strands. Please note the wiring suggestion on page 16.
** Power consumption at free air flow, these values can be significantly higher in the operating point.

** Power consumption - in operation

Fan type	optimum operating range (W)
4114 NH7P	100
4114 NH8P	160
4118 NH7P	100
4118 NH8P	160



Air performance measured according to: ISO 5801.
Installation category A, without contact protection.
Noise: Total sound power level L_wA ISO 103002 measured on a hemisphere with a radius of 2 m.
Sound pressure level L_pA measured at 1 m distance from fan axis.
The values given are applicable only under the specified measuring conditions and may differ depending on the installation conditions.
In the event of deviation from the standard configuration, the parameters must be checked after installation!
For detailed information see
<http://www.ebmpapst.com/general conditions>

