

Data Sheet

Customer:

Product: Current Sensing Chip Resistor – CS Series

Size: 0201/0402/0603/0805/1206/1210/2010/2512
1225/3720/7520/0612

Issued Date: 23-Mar-20

Edition: REV.D7



VIKING TECH CORPORATION
光頡科技股份有限公司
No.70 Guangfu N. Rd., Hukou
Township, Hsinchu County 303,
Taiwan

TEL:886-3-5972931
FAX:886-3-5972935•886-3-5973494
E-mail:sales@viking.com.tw

VIKING TECH CORPORATION KAOHSIUNG BRANCH
光頡科技股份有限公司高雄分公司
No.248-3, Sin-Sheng Rd., Cian-Jhen Dist., Kaohsiung,
806, Taiwan

TEL:886-7-8217999
FAX:886-7-8228229
E-mail:sales@viking.com.tw

VIKING ELECTRONICS (WUXI) CO., LTD.
光頡電子(無錫)有限公司
No.22 Xixia Road, Machinery & Industry Park,
National Hi-Tech Industrial Development Zone
of Wuxi, Wuxi, Jiangsu Province, China
Zip Code:214028
TEL:86-510-85203339
FAX:86-510-85203667•86-510-85203977
E-mail:china@viking.com.tw

Produced by (QC)	Checked (QC)	Approved by (QC)	Prepared by (Sales)	Accepted by (Customer)
23-Mar-20	23-Mar-20	23-Mar-20	23-Mar-20	
Susan Huang	J.C. Liu	J.C. Liu		

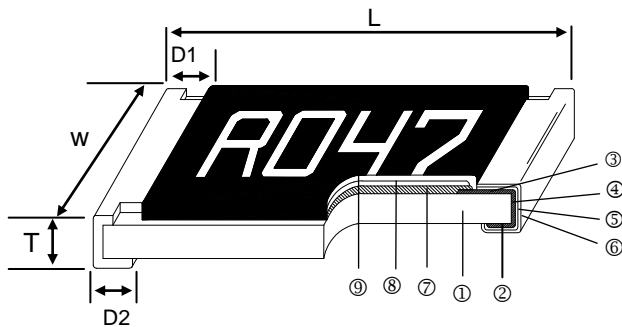
Current Sensing Chip Resistor



■ Features

- 3 Watts power rating in 1 Watt size, 1225 package
- Low TCR of ± 100 PPM/ $^{\circ}$ C
- Resistance values from 1m to 1 ohm
- High purity alumina substrate for high power dissipation
- Long side terminations with higher power rating
- RoHS Compliance

■ Construction



■ Applications

- Power Management Applications
- Switching Power Supply
- Over Current Protection in Audio Applications
- Voltage Regulation Module (VRM)
- DC-DC Converter, Battery Pack, Charger, Adaptor
- Disk Driver

① Alumina Substrate	④ Edge Electrode	⑦ Resistor Layer
② Bottom Electrode	⑤ Barrier Layer	⑧ Primary Overcoat
③ Top Electrode	⑥ External Electrode	⑨ Secondary Overcoat

■ Dimensions

Type	Size (Inch)	L (mm)	W (mm)	T (mm)	D1 (mm)	D2 (mm)	Weight(g) (1000pcs)
CS01	0201	0.60 \pm 0.03	0.30 \pm 0.03	0.23 \pm 0.05	0.12 \pm 0.05	0.15 \pm 0.05	0.18
CS02	0402	1.00 \pm 0.05	0.50 \pm 0.05	0.32 \pm 0.10	0.25 \pm 0.10	0.20 \pm 0.10	0.7
CS03	0603	1.60 \pm 0.10	0.80 \pm 0.10	0.45 \pm 0.10	0.30 \pm 0.20	0.30 \pm 0.20	1.99
CS05	0805	2.00 \pm 0.10	1.25 \pm 0.10	0.55 \pm 0.10	0.30 \pm 0.20	0.40 \pm 0.25	5.3
CS06	1206	3.10 \pm 0.10	1.55 \pm 0.10	0.55 \pm 0.10	0.50 \pm 0.30	0.40 \pm 0.25	8.82
CS06 (1W)	1206 (102 - 1000m Ω)	3.15 \pm 0.10	1.60 \pm 0.15	0.65 \pm 0.10	0.80 \pm 0.20	0.80 \pm 0.20	12.15
CS13	1210	3.10 \pm 0.10	2.60 \pm 0.15	0.55 \pm 0.10	0.50 \pm 0.30	0.50 \pm 0.25	15.5
CS10	2010	5.00 \pm 0.10	2.50 \pm 0.15	0.60 \pm 0.15	0.60 \pm 0.30	0.50 \pm 0.25	27.03
CS12	2512	6.35 \pm 0.10	3.10 \pm 0.15	0.60 \pm 0.10	0.60 \pm 0.30	0.55 \pm 0.25	43.08
CS12 (2W)	2512 (10 - 99m Ω)	6.35 \pm 0.20	3.15 \pm 0.15	0.74 \pm 0.10	0.60 \pm 0.30	0.55 \pm 0.25	53.08
CS12 (2W)	2512 (100 - 1000m Ω)	6.35 \pm 0.20	3.15 \pm 0.15	0.74 \pm 0.10	0.60 \pm 0.30	2.10 \pm 0.10	53.08
CS25	1225	3.20 \pm 0.15	6.45 \pm 0.15	0.90 \pm 0.15	0.60 \pm 0.30	0.80 \pm 0.25	64.88
CS37	3720	2.00 \pm 0.20	3.75 \pm 0.20	0.60 \pm 0.10	0.40 \pm 0.20	0.40 \pm 0.20	19.96
CS75	7520	2.00 \pm 0.20	7.50 \pm 0.30	0.60 \pm 0.10	0.40 \pm 0.20	0.40 \pm 0.20	35.71
CS62	0612	1.55 \pm 0.10	3.10 \pm 0.15	0.55 \pm 0.10	0.30 \pm 0.15	0.45 \pm 0.15	10.19

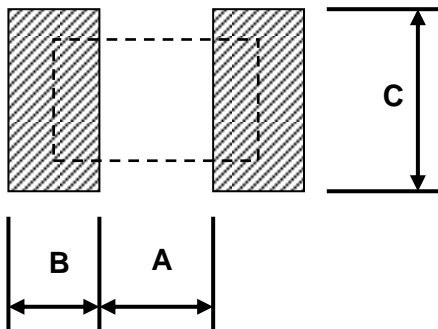
Part Numbering

Part Number : CS06FTFR100

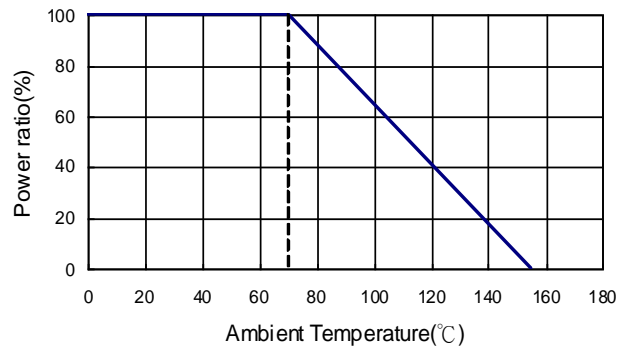
Part Number : CS06FTETR200N (CS06 1W No Marking)

CS	06	F	T	G	U	R100	
Product Type	Dimensions (LxW)	Resistance Tolerance	Packaging Code	TCR (PPM/°C)	Power Rating	Resistance	Marking
	01: 0201 02: 0402 03: 0603 05: 0805 06: 1206 13: 1210 10: 2010 12: 2512 25: 1225 37: 3720 75: 7520 62: 0612	F: ±1% G: ±2% J: ±5%	T: Taping Reel B: Bulk	E: ±100 F: ±200 G: ±300 H: ±400 J: ±600 K: ±150 R: ±1000	: Standard S: 2W A: 1.5W T: 1W Q: 3/4W U: 1/2W V: 1/4W P: 1/5W W: 1/8W	R010: 0.01Ω R100: 0.1Ω 1R00: 1Ω	: Standard N: No Marking

Recommend Land Pattern



Derating Curve



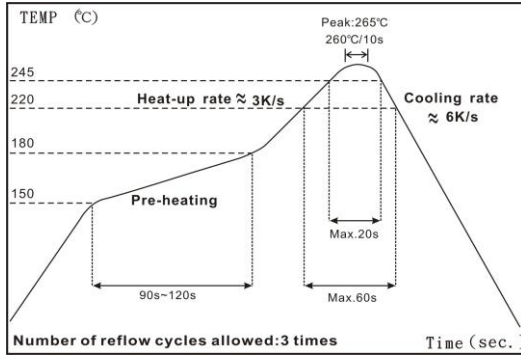
Pad Layout (Except For CS12:Ultra High Power Rating Series)

Type	A (mm)	B (mm)	C (mm)
CS01	0.25	0.30	0.40±0.2
CS02	0.50	0.50	0.60±0.2
CS03	0.80	1.00	0.90±0.2
CS05	1.00	1.00	1.35±0.2
CS06	2.00	1.15	1.70±0.2
CS06 (1W)	0.90	1.70	1.70±0.2
CS13	2.00	1.15	2.50±0.2
CS10	3.60	1.40	2.50±0.2
CS12	4.90	1.60	3.20±0.2
CS25	1.20	2.00	7.00±0.2
CS37	1.00	1.80	3.90±0.2
CS75	1.00	1.80	7.60±0.2
CS62	0.60	1.00	3.20±0.2

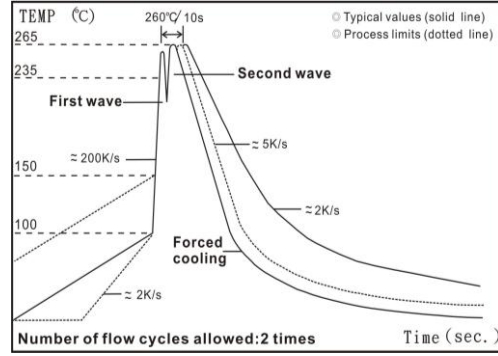
Pad Layout (For CS12: Ultra High Power Rating)

Type	Resistance Range	A (mm)	B (mm)	C (mm)
CS12	10~99 mΩ	4.9	1.6	3.2±0.2
CS12	100~1000mΩ	1.0	3.55	3.2±0.2

■ Soldering Condition



IR Reflow Soldering



Wave Soldering (Flow Soldering)

- (1) Time of IR reflow soldering at maximum temperature point 260°C : 10s
- (2) Time of wave soldering at maximum temperature point 260°C : 10s
- (3) Time of soldering iron at maximum temperature point 410°C : 5s

■ Standard Electrical Specifications

Type	Item	Power Rating at 70°C	Operating Temp. Range	Max. Operating Current	Resistance Range (mΩ)			TCR (PPM/°C)
					±1%	±2%	±5%	
CS01 (0201)		1/20W	-55 ~ +155°C	0.70A	100 - 147 150 - 500 510 - 1000			±1000 ±600 ±300
CS02 (0402)		1/16W	-55 ~ +155°C	1.11A	50 - 100 102 - 500 510 - 1000			±400 ±300 ±200
CS03 (0603)		1/10W	-55 ~ +155°C	2.23A	20 - 50 51 - 100 102 - 300 301 - 1000			±600 ±400 ±300 ±200
CS05 (0805)		1/8W	-55 ~ +155°C	2.50A	20 - 50 51 - 100 102 - 196 200 - 1000			±600 ±400 ±300 ±200
CS06 (1206)		1/4W	-55 ~ +155°C	5.00A	10 - 20			±600
CS13 (1210)		1/2W		7.07A	21 - 50			±400
CS10 (2010)		3/4W		8.66A	51 - 91			±300
CS12 (2512)		1W		10.0A	100 - 1000			±200
CS25 (1225)		3W	-55 ~ +155°C	31.6A	3 - 5 6 - 20 21 - 30 33 - 8000			±300 ±200 ±150 ±100
CS37 (3720)		1W	-55 ~ +155°C	10.0A	10 - 18 20 - 500			±300 ±150
CS75 (7520)		2W	-55 ~ +155°C	44.7A	—	1 - 4		±300
					5 - 10 11 - 350			±200 ±150
CS62 (0612)		1W	-55 ~ +155°C	10.0A	10 - 27 30 - 91 100 - 499 500 - 1000			±600 ±300 ±200 ±100

High Power & Ultra High Power Rating Electrical Specifications

Type \ Item	Power Rating at 70°C	Operating Temp. Range	Max. Operating Current	Resistance Range (mΩ)			TCR (PPM/°C)
				±1%	±2%	±5%	
CS02 (0402)	1/8W	-55 ~ +155°C	1.56A	51 - 100 102 - 500 510 - 1000			±400 ±300 ±200
CS03 (0603)	1/8W 1/5W		1.98A				
CS05 (0805)	1/4W		2.21A				
CS06 (1206)	1/2W	-55 ~ +155°C	7.07A	10 - 20 21 - 50 51 - 91 100 - 1000			±600 ±400 ±300 ±200
CS13 (1210)	3/4W		8.66A				
CS10 (2010)	1W		10.0A				
CS12 (2512)	1.5W		12.2A				
CS12 (2512)	2W *		14.1A				
CS06 (1206)	1W *	-55 ~ +155°C	3.13A	102-1000			±100

*: Ultra High Power

■ CS06 1W: double side printed resistor element without marking.

Low TCR Electrical Specifications

Type \ Item	Power Rating at 70°C	Operating Temp. Range	Max. Operating Current	Resistance Range (mΩ)			TCR (PPM/°C)
				±1%	±2%	±5%	
CS05 (0805)	1/8W	-55 ~ +155°C	1.11A	100 - 1000			±100
CS06 (1206)	1/4W		1.58A	100 - 1000			±100
CS13 (1210)	1/2W		2.58A	75 - 1000			±100
CS10 (2010)	3/4W		3.87A	50 - 1000			±100
CS12 (2512)	1W		7.07A	20 - 1000			±100
CS12 (2512)	*2W		6.32A	50 - 1000			±100
CS37 (3720)	1W		3.16A	100 - 500			±100
CS75 (7520)	2W		6.32A	50 - 350			±100

Operating Current= $\sqrt{P/R}$

■ Viking is capable of manufacturing the optional spec based on customer's requirement.

Environmental Characteristics

Item	Requirement	Test Method
Temperature Coefficient of Resistance (T.C.R.)	As Spec.	JIS-C-5201-1 4.8 IEC-60115-1 4.8 At 25°C/-55°C and 25°C/+125°C, 25°C is the reference temperature
Short Time Overload	$\pm(0.5\%+0.05\Omega)$	JIS C 5201-1 4.13 IEC 60115-1 4.13 RCWV*2.5 or Max. Overload Voltage whichever is lower for 5 seconds CS06 1W: 5*rated power for 5 seconds
	$\pm(1.0\%+0.05\Omega)$ For High power rating	
Insulation Resistance	$\geq 10G$	JIS-C-5201-1 4.6 IEC-60115-1 4.6 Max. Overload Voltage for 1 minute
Endurance	$\pm(1.0\%+0.05\Omega)$	JIS-C-5201-1 4.25 IEC-60115-1 4.25.1 70 \pm 2°C, RCWV for 1000 hrs with 1.5 hrs "ON" and 0.5 hr "OFF"
Damp Heat with Load	$\pm(0.5\%+0.05\Omega)$	JIS-C-5201-1 4.24 IEC-60115-1 4.24 40 \pm 2°C, 90~95% R.H., RCWV for 1000 hrs with 1.5 hrs "ON" and 0.5 hr "OFF"
	CS06 1W : $\pm(1.0\%+0.05\Omega)$	
Dry Heat	$\pm(0.5\%+0.05\Omega)$	JIS-C-5201-1 4.23 IEC-60115-1 4.23.2 at +155°C for 1000 hrs
	CS06 1W : $\pm(1.0\%+0.05\Omega)$	
Bending Strength	$\pm(1.0\%+0.05\Omega)$	JIS-C-5201-1 4.33 IEC-60115-1 4.33 Bending once for 5 seconds with 3mm 2010, 2512 sizes: 2mm
Solderability	95% min. coverage	JIS-C-5201-1 4.17 IEC-60115-1 4.17 245 \pm 5°C for 3 seconds
Resistance to Soldering Heat	$\pm(0.5\%+0.05\Omega)$	JIS-C-5201-1 4.18 IEC-60115-1 4.18 260 \pm 5°C for 10 seconds
	CS06 1W : $\pm(1.0\%+0.05\Omega)$	
Voltage Proof	No breakdown or flashover	JIS-C-5201-1 4.7 IEC-60115-1 4.7 1.42 times Max. Operating Voltage for 1 minute CS01:50V; CS02:100V; CS03:150V; CS05:300V CS06/13/10/12/25/37/75/62:400V; CS12:500V
Leaching	Individual leaching area $\leq 5\%$ Total leaching area $\leq 10\%$	JIS-C-5201-1 4.18 IEC-60068-2-58 8.2.1 260 \pm 5°C for 30 seconds
Rapid Change of Temperature	$\pm(0.5\%+0.05\Omega)$	JIS-C-5201-1 4.19 IEC-60115-1 4.19 -55°C to +155°C, 5 cycles
	CS06 1W : $\pm(1.0\%+0.05\Omega)$	

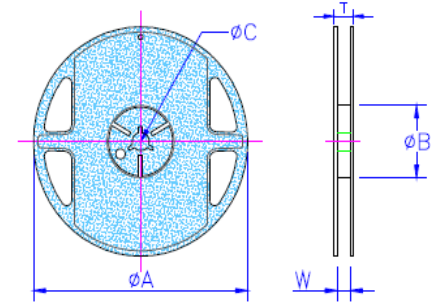
RCWV(Rated Continuous Working Voltage)= $\sqrt{P \cdot R}$ or Max. Operating Voltage whichever is lower.

Storage Temperature: 15~28°C; Humidity < 80%RH

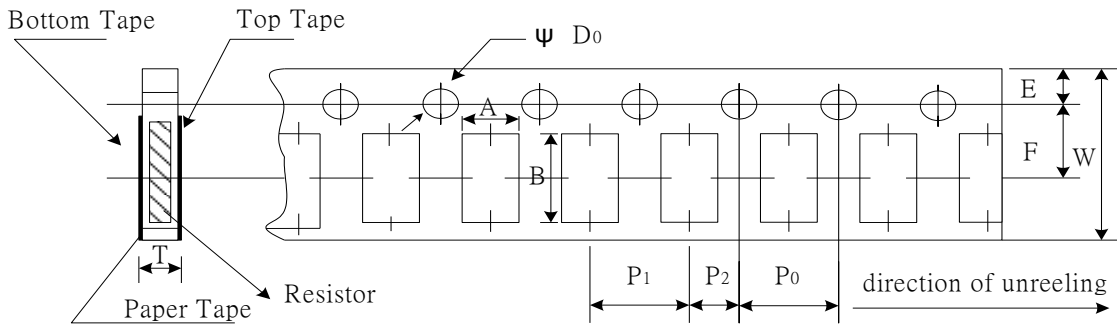
■ Packaging

Packaging Quantity & Reel Specifications

Type	ΦA (mm)	ΦB (mm)	ΦC (mm)	W (mm)	T (mm)	Paper Tape (EA)	Embossed Plastic Tape (EA)
CS01	178.0±1.0	60.0±1.0	13.5±0.7	9.5±0.1	11.5±1.0	10,000	
CS02	178.0±1.0	60.0±1.0	13.5±0.7	9.5±0.1	11.5±1.0	10,000	-
CS03	178.0±1.0	60.0±1.0	13.5±0.7	9.5±0.1	11.5±1.0	5,000	-
CS05	178.0±1.0	60.0±1.0	13.5±0.7	9.5±0.1	11.5±1.0	5,000	-
CS06	178.0±1.0	60.0±1.0	13.5±0.7	9.5±0.1	11.5±1.0	5,000	-
CS13	178.0±1.0	60.0±1.0	13.5±0.7	9.5±0.1	11.5±1.0	5,000	
CS10	178.0±1.0	60.0±1.0	13.5±0.7	13.5±1.0	15.5±1.0	-	4,000
CS12	178.0±1.0	60.0±1.0	13.5±0.7	13.5±1.0	15.5±1.0	-	4,000
CS12 (2W)	178.0±1.0	60.0±1.0	13.5±0.7	13.5±1.0	15.5±1.0	-	2,000
CS25	178.0±1.0	60.0±1.0	13.5±0.7	13.5±1.0	15.5±1.0	-	2,000
CS37	178.0±1.0	60.0±1.0	13.5±0.7	13.5±1.0	15.5±1.0	-	2,000
CS75	178.0±1.0	60.0±1.0	13.5±0.7	17.5±1.0	19.5±1.0	-	2,000
CS62	178.0±1.0	60.0±1.0	13.5±0.7	9.5±0.1	11.5±1.0	5,000	-

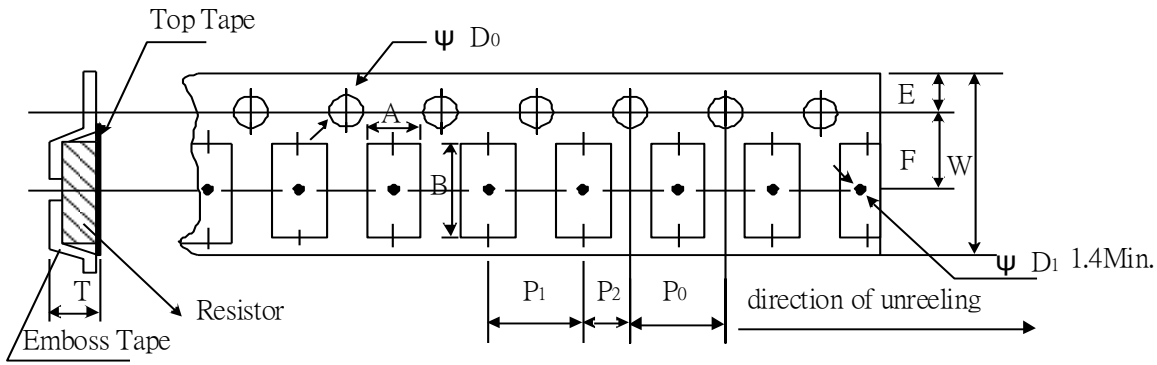


Paper Tape Specifications



Type	A (mm)	B (mm)	W (mm)	E (mm)	F (mm)	P0 (mm)	P1 (mm)	P2 (mm)	ΦD ₀ (mm)	T (mm)
CS01	0.38±0.05	0.68±0.05	8.0±0.20	1.75±0.10	3.50±0.05	4.00±0.10	2.00±0.05	2.00±0.05	1.50+0.1,-0	0.42±0.20
CS02	0.65±0.10	1.15±0.10	8.0±0.20	1.75±0.10	3.50±0.05	4.00±0.10	2.00±0.05	2.00±0.05	1.50+0.1,-0	0.45±0.10
CS03	1.10±0.10	1.90±0.10	8.0±0.20	1.75±0.10	3.50±0.05	4.00±0.10	4.00±0.05	2.00±0.05	1.50+0.1,-0	0.70±0.10
CS05	1.60±0.10	2.40±0.20	8.0±0.20	1.75±0.10	3.50±0.05	4.00±0.10	4.00±0.05	2.00±0.05	1.50+0.1,-0	0.85±0.10
CS06	1.90±0.10	3.50±0.20	8.0±0.20	1.75±0.10	3.50±0.05	4.00±0.10	4.00±0.05	2.00±0.05	1.50+0.1,-0	0.85±0.10
CS13	2.90±0.10	3.50±0.20	8.0±0.20	1.75±0.10	3.50±0.05	4.00±0.10	4.00±0.05	2.00±0.05	1.50+0.1,-0	0.85±0.10
CS62	1.90±0.10	3.50±0.20	8.0±0.20	1.75±0.10	3.50±0.05	4.00±0.10	4.00±0.05	2.00±0.05	1.50+0.1,-0	0.85±0.10

Emboss Plastic Tape Specifications



Type	A (mm)	B (mm)	W (mm)	E (mm)	F (mm)	P ₀ (mm)	P ₁ (mm)	P ₂ (mm)	ΦD ₀ (mm)	T (mm)
CS10	2.80±0.10	5.50±0.10	12.0±0.30	1.75±0.10	5.5±0.05	4.00±0.05	4.00±0.10	2.00±0.05	1.50+0.10	1.00±0.20
CS12	3.50±0.10	6.70±0.10	12.0±0.30	1.75±0.10	5.5±0.05	4.00±0.05	4.00±0.10	2.00±0.05	1.50+0.10	1.00±0.20
CS12 (2W)	3.38±0.10	6.68±0.10	12.0±0.30	1.75±0.10	5.5±0.10	4.00±0.10	4.00±0.10	2.00±0.05	1.55+0.05	1.45±0.20
CS25	3.38±0.10	6.68±0.10	12.0±0.30	1.75±0.10	5.5±0.10	4.00±0.10	4.00±0.10	2.00±0.05	1.55+0.05	1.45±0.20
CS37	2.50±0.20	4.45±0.20	12.0±0.30	1.75±0.10	5.5±0.05	4.00 ±0.05	4.00±0.10	2.00±0.05	1.50+0.10	1.20 ±0.20
CS75	2.50±0.20	8.30±0.20	16.0±0.30	1.75±0.10	7.8±0.05	4.00±0.05	4.00±0.10	2.00±0.05	1.50+0.10	1.20 ±0.20

■ Marking

No Marking for 0201/0402

1%, 5% for 0805/1206/1210/2010/2512/1225/3720/7520/0612 : 4 digits marking

Example:

Resistance	47mΩ	75mΩ	15mΩ	750mΩ	820mΩ
Marking	R047	R075	R015	R750	R820

5% for 0603: 3 digits marking in E24

1% for 0603: 3 digits marking with under-line in E96 (non-including E24 series)



3 digits marking for E24 or R value suffix is zero in E96: R10=100mΩ; R28=280mΩ



3 digits marking for E96: 243=243mΩ; 511=511mΩ

REVISION HISTORY

REVISION	DATE	CHANGE NOTIFICATION	DESCRIPTION
Version D1	Jun 03, 2014	-	- Electrical Specifications updated - CS25 Pad Layout updated - Environmental Characteristics updated
Version D2	Apr 30, 2015	-	- Increase Product Size 0612
Version D3	Jul 15, 2016	-	- Remove Material Description - Modify Storage Temperature - CS12 Pad Layout updated - CS62 Resistance Range updated
Version D4	Jan 12, 2018	-	- Modify 1225 Dimension L, W
Version D5	Jul 27, 2018	-	- Increase 1206 1W Ultra High Power Electrical Specifications
Version D6	May 20, 2019	-	- Modify TCR Test description - Electrical Specifications updated
Version D7	Mar 23, 2020	-	- Environmental Characteristics : Added test voltage for Voltage Proof