

DC Fan



# 80×80×38 mm

San Ace 80 9G type

## General Specifications

- Material ..... Frame: Plastic (Flammability: UL 94V-0), Impeller: Plastic (Flammability: UL 94V-0)
- Expected life ..... See the table below. (L10 life: 90% survival rate for continuous operation in free air at 60°C, rated voltage)  
Expected life at 40°C is for reference only.
- Motor protection function ..... Locked rotor burnout protection, Reverse polarity protection  
For details, please refer to p. 599.
- Dielectric strength ..... 50/60 Hz, 500 VAC, for 1 minute (between lead wire conductors and frame)
- Insulation resistance ..... 10 MΩ or more with a 500 VDC megger (between lead wire conductors and frame)
- Sound pressure level (SPL) ..... At 1 m away from the air inlet
- Storage temperature ..... -30 to +70°C (Non-condensing)
- Lead wire ..... ⊕Red ⊖Black Sensor Yellow
- Mass ..... 170 g

## Specifications

The models listed below **have ribs and pulse sensors**. For models without ribs, append "1" to the end of model numbers.

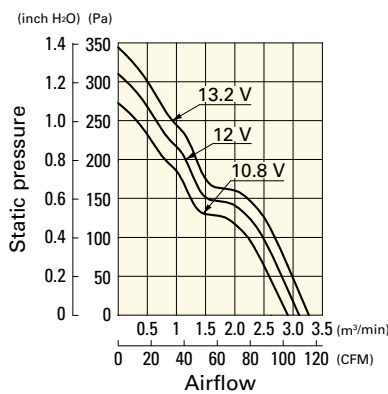
Model no.	Rated voltage [V]	Operating voltage range [V]	Rated current [A]	Rated input [W]	Rated speed [min <sup>-1</sup> ]	Max. airflow [m <sup>3</sup> /min] [CFM]	Max. static pressure [Pa] [inchH <sub>2</sub> O]	SPL [dB (A)]	Operating temperature [°C]	Expected life [h]
<b>9G0812K101</b>	12	10.8 to 13.2	1.8	21.6	7800	3.1 107.3	310 1.285	58	-20 to +60	40000/60°C (70000/40°C)
<b>9G0812G101</b>		7 to 13.8	1.1	13.2	6300	2.55 90	211 0.847	51		
<b>9G0812H101</b>			0.9	10.8	5700	2.28 80	171 0.687	49		
<b>9G0824G101</b>	24	20.4 to 27.6	0.56	13.4	6300	2.55 90	211 0.847	51		
<b>9G0824H101</b>			0.42	10.1	5700	2.28 80	171 0.687	49		
<b>9G0848G101</b>	48	40.8 to 55.2	0.27	13.0	6300	2.55 90	211 0.847	51		
<b>9G0848H101</b>			0.2	9.6	5700	2.28 80	171 0.687	49		

Note: Sensor and control options are available for selection. Refer to the table on p. 626.

## Airflow - Static Pressure Characteristics

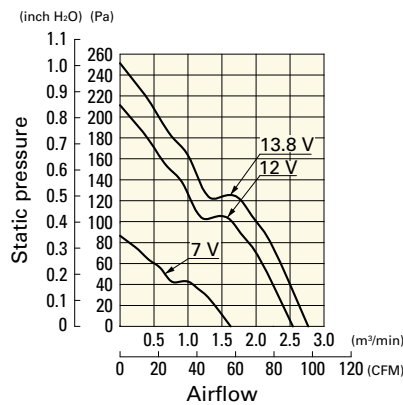
**9G0812K101** With pulse sensor

Operating voltage range



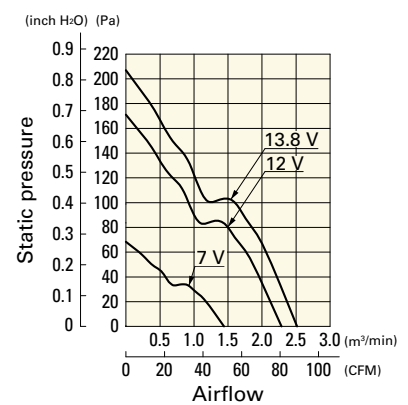
**9G0812G101** With pulse sensor

Operating voltage range



**9G0812H101** With pulse sensor

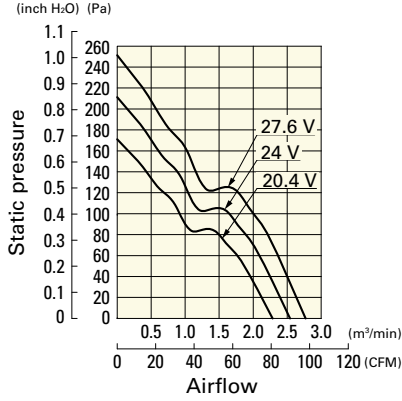
Operating voltage range



## Airflow - Static Pressure Characteristics

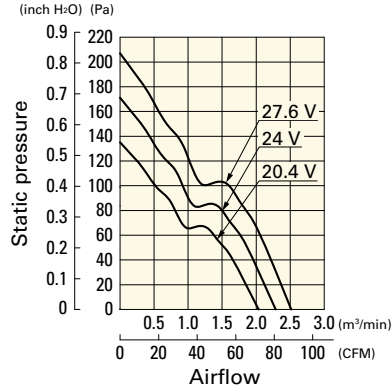
**9G0824G101** With pulse sensor

Operating voltage range



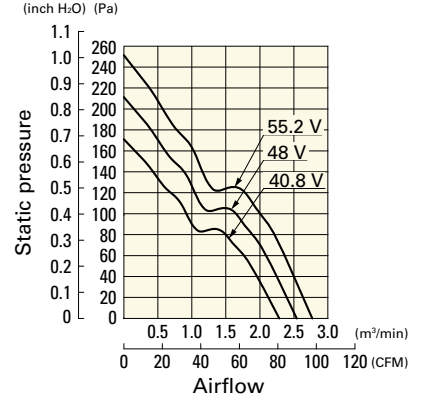
**9G0824H101** With pulse sensor

Operating voltage range



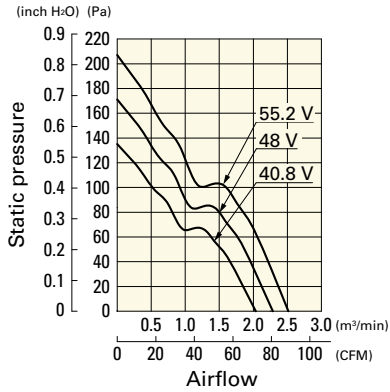
**9G0848G101** With pulse sensor

Operating voltage range

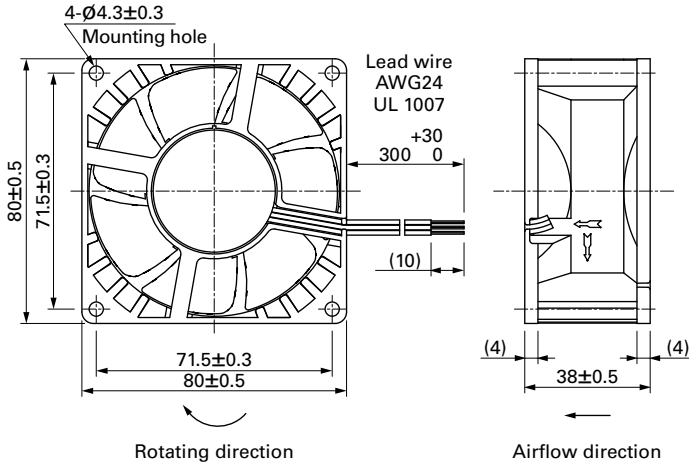


**9G0848H101** With pulse sensor

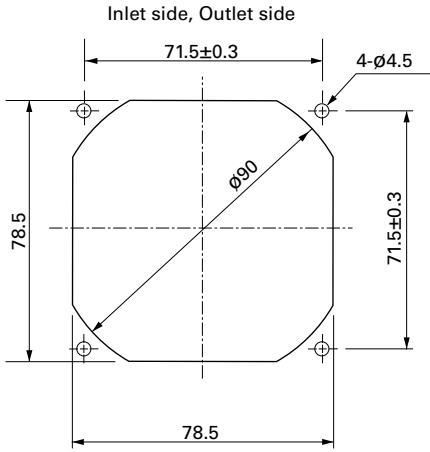
Operating voltage range



## Dimensions (unit: mm) (With ribs)



Reference Dimensions of Mounting Holes and Vent Opening (unit: mm)



Options

Finger guards

page: p. 584

Model no.: 109-049E, 109-049H, 109-049C

Resin finger guards

page: p. 591

Model no.: 109-1002G

Resin filter kits

page: p. 592

Model no.: 109-1002F13 (13PPI), 109-1002F20 (20PPI),  
109-1002F30 (30PPI), 109-1002F40 (40PPI)