

**ebm-papst St. Georgen GmbH & Co. KG**

Hermann-Papst-Str. 1

D-78112 St. Georgen

Phone +49 (0) 7724 81-0

Fax +49 (0) 7724 81-1309

info2@de.ebmpapst.com

www.ebmpapst.com

Nominal data

| Type | 8506 A | |
|--------------------------|-------------------|------|
| Phase | | 1~ |
| Nominal voltage | VAC | 115 |
| Frequency | Hz | 60 |
| Speed (rpm) | min ⁻¹ | 3300 |
| Power consumption | W | 11.0 |
| Min. ambient temperature | °C | -40 |
| Max. ambient temperature | °C | 95 |
| Air flow | m ³ /h | 57 |
| Sound power level | B | 5.7 |
| Sound pressure level | dB(A) | 42 |

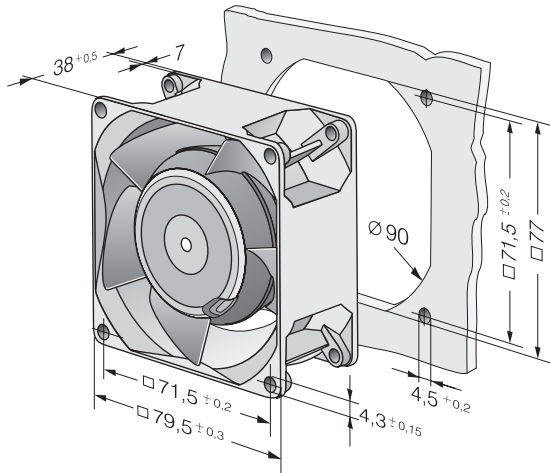
ml = Max. load · me = Max. efficiency · fa = Free air · cs = Customer specification · ce = Customer equipment
Subject to change



Technical description

| | |
|--|--|
| Weight | 0.490 kg |
| Dimensions | 80 x 80 x 38 mm |
| Impeller material | Metal |
| Housing material | Metal |
| Part no. | 9244014670 |
| Airflow direction | Intake over struts |
| Direction of rotation | Clockwise, viewed toward rotor |
| Storage | Ball bearing |
| Service life L10 at 40 °C | 55000 h |
| Service life L10 at maximum temperature | 15000 h |
| Cable | 2 flat plugs 2.8 x 0.5 mm |
| Motor protection | Protected from overload by impedance protection |
| Approval | VDE, CSA, UL, CE |
| Option | Optionally with electrical hookup to leads. Optionally available with exhaust over struts and clockwise rotation. |

Product drawing



Curves: Air performance

