

RER 160-28/06S

AC centrifugal compact fan

single-intake



ebm-papst St. Georgen GmbH & Co. KG

Hermann-Papst-Str. 1
D-78112 St. Georgen
Phone +49 (0) 7724 81-0
Fax +49 (0) 7724 81-1309
info2@de.ebmpapst.com
www.ebmpapst.com

Nominal data

Type	RER 160-28/06S	
Phase		1~
Nominal voltage	VAC	115
Frequency	Hz	60
Speed (rpm)	min ⁻¹	3250
Power consumption	W	46.0
Min. ambient temperature	°C	-30
Max. ambient temperature	°C	70
Air flow	m ³ /h	274
Sound power level	B	6.8

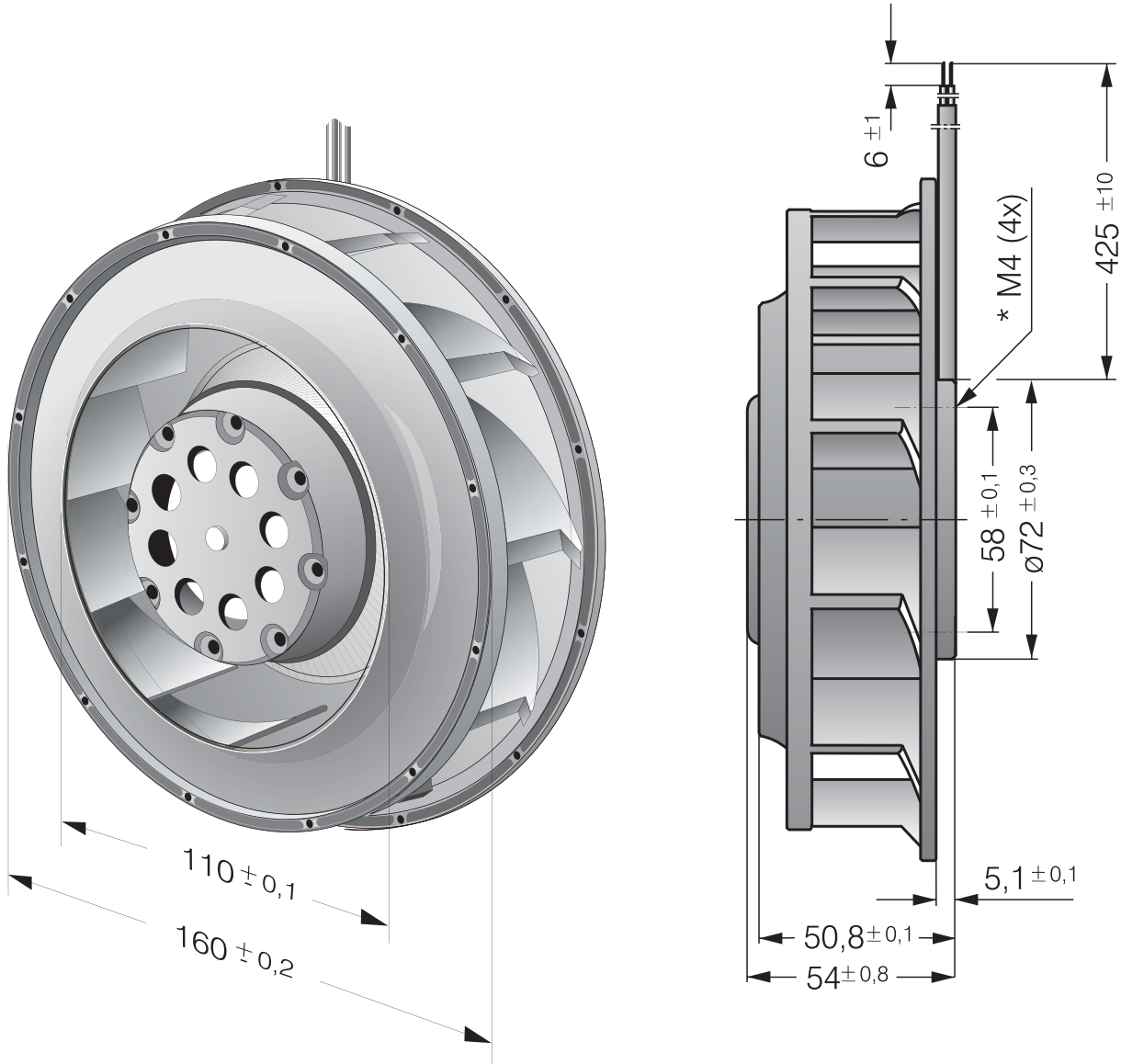
ml = Max. load · me = Max. efficiency · fa = Free air · cs = Customer specification · ce = Customer equipment
Subject to change



Technical description

General description	Backward-curved impeller
Impeller material	Glass-fiber reinforced PA plastic, strengthened with sheet steel
Weight	1.000 kg
Dimensions	Ø 176 x 54 mm
Housing material	Glass-fiber reinforced PBT plastic
Airflow direction	Radial
Direction of rotation	Counterclockwise, viewed toward rotor
Storage	Ball bearing
Service life L10 at 40 °C	30000 h
Service life L10 at maximum temperature	15000 h
Cable	2 leads AWG 18
Motor protection	Protected from overload by impedance protection

Product drawing



Curves

