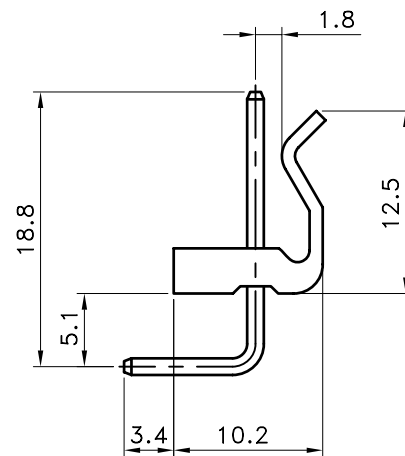
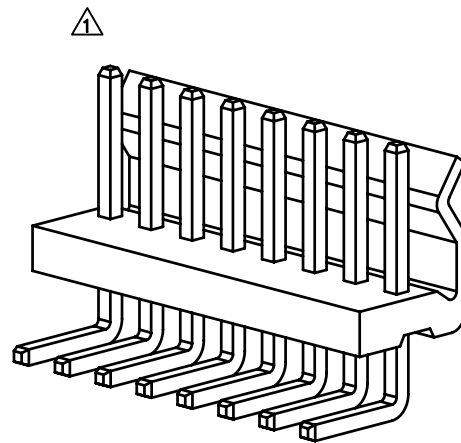


Circuit No.1



■ SPECIFICATIONS

- Current Rating : 7A AC/DC
- Withstanding Voltage : 1,500V AC/minute
- Insulation Resistance : 1,000MΩ min
- Temperature Range : - 25°C to + 85°C
- Contact Resistance : 20mΩ max

■ WAFER

- Part No. : JS-4001-XX(XXX)
- Blank : Nylon 66 UL94V-2 Blank : Tin Plated
 V0 : Nylon 66 UL94V-0 G : Gold Plated

- Poles : 02 ~ 16
- Material :
 1. Contact : Brass
 2. Base : Refer the above options
 3. Plated : Refer the above options
- Q'ty / Packing : 1,000 pcs. / Bag

Poles	Dimensions(mm)	
	A	B
2	3.96	7.92
3	7.92	11.88
4	11.88	15.84
5	15.84	19.80
6	19.80	23.76
7	23.76	27.72
8	27.72	31.68
9	31.68	35.64
10	35.64	39.60
11	39.60	43.56
12	43.56	47.52
13	47.52	51.48
14	51.48	55.44
15	55.44	59.40
16	59.40	63.36



喬訊電子工業股份有限公司
 CHYAO SHIUNN
 ELECTRONIC INDUSTRIAL LTD.

PART NO JS-4001R-XX(XXX)
 3.96mm Wire to Board Power Connector, Right-Angle

APPROVED BY	SCALE	UNIT	TOLERANCE	LTR	REVISION RECORD	NAME	DATE	LTR	REVISION RECORD	NAME	DATE
張育瑞		mm	.0 ±0.30	△	修改物性表及增加3D視圖	王誠賢	10/11/20				
CHECKED BY	PROJ	VER NO.	.00 ±0.20								
黃科源	⊕	a2	.000 ±0.10								
DRAWN BY	DATE	SIZE	ANGLE								
王誠賢	2010/11/17	A4	0° ±1°								
		SHEET	.0° ±								
			1/1								

CUSTOMER

Conforms to The RoHS Instruction