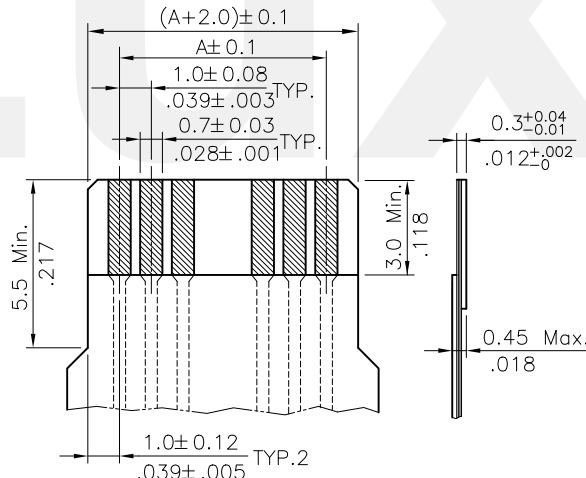
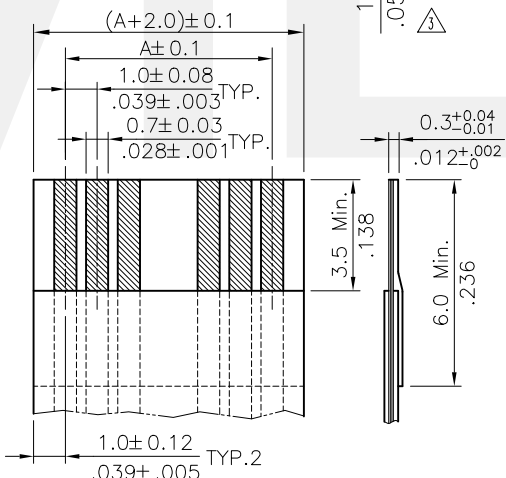
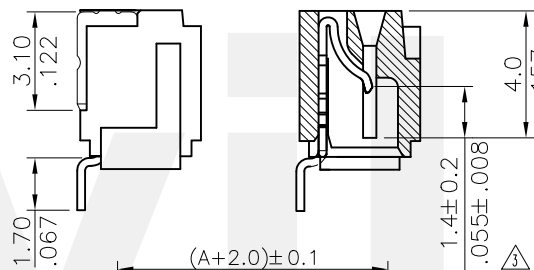
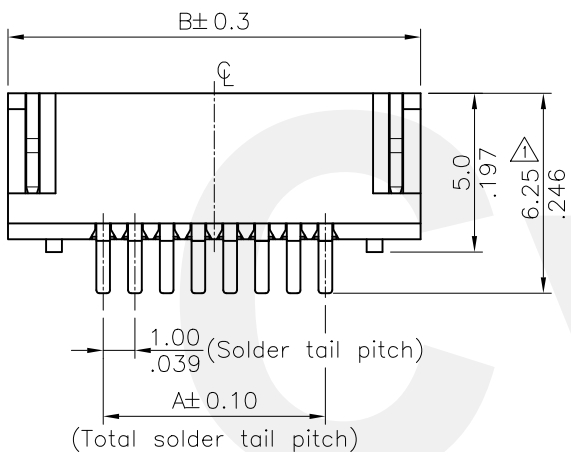


Sold Pad Pattern



A = 1.00 * NO. OF SPACES
 B = A + 6.0
 C = A + 2.1
 D = A + 4.45

* AVAILABLE IN 3 THROUGH 32
 CIRCUITS

* ACCOMMODATED FFC

* ACCOMMODATED FPC

Material:

* Insulation:

High Temperature Polyamide UL 94V-0
 Color Nature

* Contact: Phosphor Bronze

Ordering Code

CF16 ** 1 S 0 R 0 -NH
 ① ② ③ ④ ⑤ ⑥ ⑦ ⑧

① Series No.

② No. of Circuits

③ Plating code:

1 = Matte Tin plated over Nickel

④ Contact type : S= Side entry SMT type

⑤ Insulation Color: 0= Nature

⑥ Packing : T= Tube Packaged

R= Tape & reel packaged

⑦ Option: 0= Standard

⑧ Other option:

NH= For Lead Free IR Processes
 and Halogen-Free

Halogen-Free

Lead Free Process

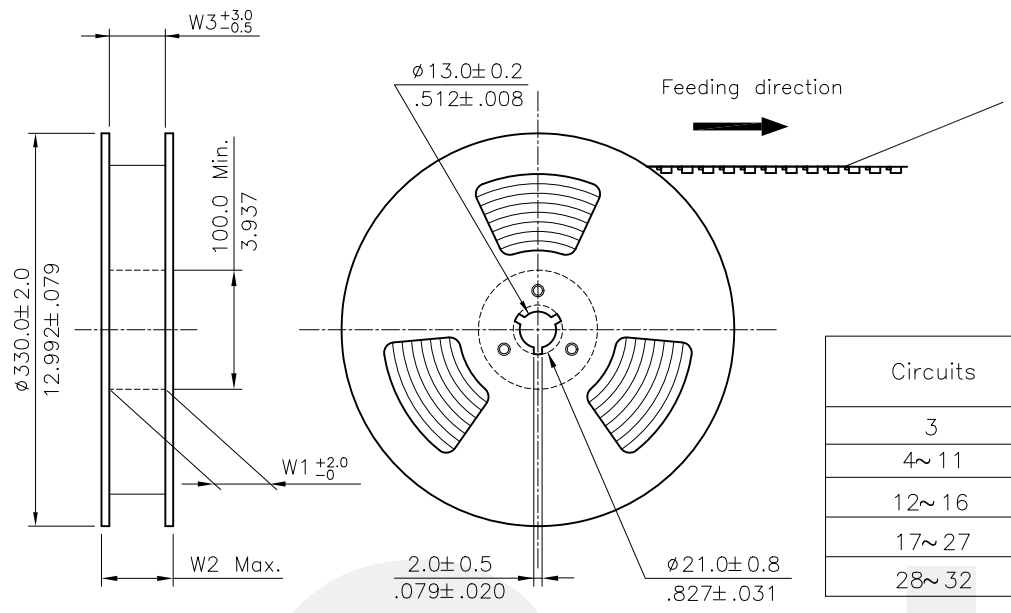
RoHS Compliant

4						DATE	UNIT: mm / inch	TITLE: 1.00mm(.039") SIDE ENTRY SMT TYPE LIF FFC/FPC CONNECTOR
3	Ken	6/12-17'	ECNT117070/ECRT117004	DRAWN BY: Ken	6/12-17'	DATE	UNIT: mm / inch	TITLE: 1.00mm(.039") SIDE ENTRY SMT TYPE LIF FFC/FPC CONNECTOR
2	Sun	6/13-11'	ECR11022-1/ECN11127	ENGINEER: Sun	6/13-17'	DATE	UNIT: mm / inch	TITLE: 1.00mm(.039") SIDE ENTRY SMT TYPE LIF FFC/FPC CONNECTOR
1	Sun	4/02-09'	ECR09024-2/ECN09165	CHECKED BY: Eisley	6/19-17'	DATE	UNIT: mm / inch	TITLE: 1.00mm(.039") SIDE ENTRY SMT TYPE LIF FFC/FPC CONNECTOR
SYM	NAME	DATE	REVISIONS	APPROVED BY: Eisley	6/19-17'	DATE	UNIT: mm / inch	TITLE: 1.00mm(.039") SIDE ENTRY SMT TYPE LIF FFC/FPC CONNECTOR

CIVILUX CORP
 2017.06.22
 ISSUED

瀚荃股份有限公司
 CviLux Corporation

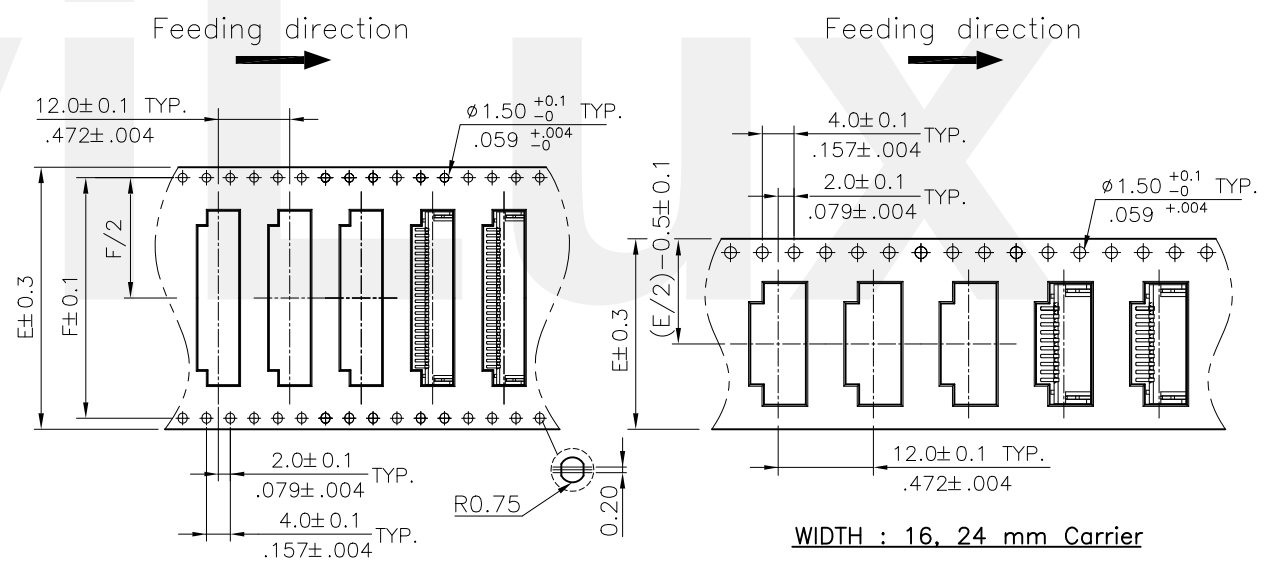
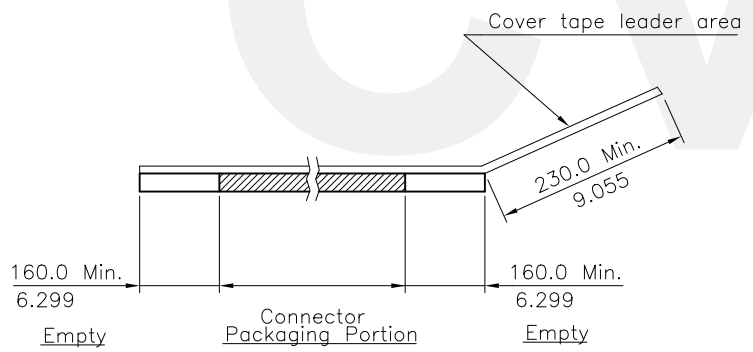
MATERIAL:	DRAWING NO. CF1654SD	PART NO. CF16**1S0*0-NH
FINISH:	SCALE 4 / 1	SHEET 1 OF 2



NOTE :

- △ * Reel Material : Corrugated Paper
- * Carrier Material : Clear, Conductive Polystyrene Alloy
- * Cover Tape Material : Polyester
- * Cover Tape Peel Strength : 0.1N – 1.3N
- * Carrier camber is within 1mm in 250mm
- * All dimensions meet EIA-481-B requirements.
- * Quantity : 1200 PCS/Reel

Circuits	Dimension					Packing (Reel/Carton)
	E	F	W1	W2	W3	
3	16.0(.630)	---	16.5(.650)	22.5(.886)	16.5(.650)	11
4~ 11	24.0(.945)	---	24.5(.965)	30.5(1.201)	24.5(.965)	9
12~ 16	32.0(1.260)	28.40(1.118)	32.5(1.280)	38.5(1.516)	32.5(1.280)	7
17~ 27	44.0(1.732)	40.40(1.591)	44.5(1.752)	50.5(1.988)	44.5(1.752)	5
28~ 32	56.0(2.205)	52.40(2.063)	56.5(2.224)	62.5(2.461)	56.5(2.224)	3



WIDTH : 32, 44 & 56 mm Carrier

RoHS Compliant

4					DATE	UNIT: mm / inch	TITLE: 1.00mm(.039") SIDE ENTRY SMT TYPE LIF FFC/FPC CONNECTOR	瀚荃股份有限公司 CviLux Corporation	
3	Ken	6/12-17'	ECNT117070/ECRT117004	DRAWN BY: Ken	6/12-17'	TOLERANCE UNLESS OTHERWISE SPECIFIED	MATERIAL:		
2	Sun	6/13-11'	ECR11022-1/ECN11127	ENGINEER: Sun	6/13-17'	.X ± .X' ± ' "	FINISH:		
1	Sun	4/02-09'	ECR09024-2/ECN09165	CHECKED BY: Eisley	6/19-17'	.XX ± .X' ±			
SYM	NAME	DATE	REVISIONS	APPROVED BY: Eisley	6/19-17'	.XXX ± .XX' ±	DRAWING NO. CF1654SD	PART NO. CF16**1S0*0-NH	
								SCALE	SHEET 2 OF 2

2017.06.22
ISSUED