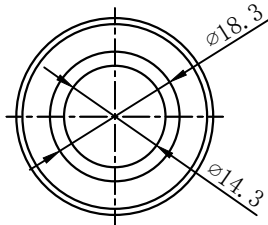
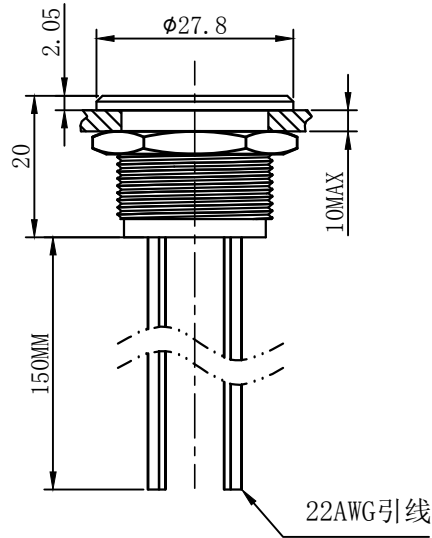
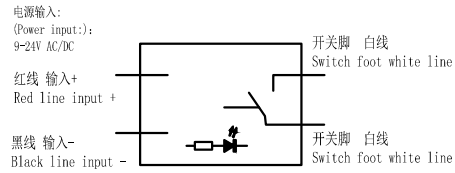


UNIT: mm (毫米)

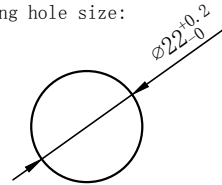
# HBAN 红波



### 开关结构说明: Switch structure description:



### 安装孔尺寸: Mounting hole size:



### 性能要求:

#### Performance requirements:

- 防护等级: IP68、IK09;  
Protection grade: IP68、IK09;
- 接触电阻:  $\leq 50m\Omega$ ;  
Contact resistance:  $\leq 50m\Omega$ ;
- 脉冲时间:  $\leq 50ms$ ;  
Pulse time:  $\leq 50ms$ ;
- 寿命: 电气部分在额定负载下动作1000万次无异常。  
Life: electrical part: operate 1000,000 times under rated load without any abnormality.

### 技术要求:

#### Technical requirements:

- 表面光洁, 平整无毛刺;  
The surface is smooth and smooth without burr;
- 参数/批次字迹清晰, 无错位;  
Clear handwriting of parameters/batches without any dislocation;
- 额定电压: Ith: 200mA Ui: 24V/DC;  
Rated voltage: 200mA Ui: 24V/DC;
- 工作环境温度:  $-40^{\circ}C \sim +70^{\circ}C$ ;  
Working environment temperature:  $-40^{\circ}C \sim +70^{\circ}C$ ;
- 电气功能: 脉冲; 自锁;  
Electrical function: Pulse; Since the lock;
- 动作行程: 无;  
Movement stroke: There is no;
- 连接形式: 焊接导线;  
Connection form: welding wire;
- 拧紧力矩: 5~14Nm;  
Tightening torque: 5-14nm;
- 开关组合: 1NO;1NC;  
Switch combination: 1NO; 1NC;
- 外观材料: PC/不锈钢; PC/铝合金;  
Appearance material: PC/stainless steel; PC/Aluminum alloy;
- 未标注公差按照GB/T 1804-m级。  
Unmarked tolerance shall be in accordance with GB/T 1804-f class.
- 灯珠参数: 额定电压: 6V/12V/24V; 其它电压可定制;  
额定电流:  $\leq 20mA$ ;  
Lamp bead parameters: rated voltage :6V/12V/24V;  
Other voltages can be customized;  
Rated current:  $\leq 20mA$
- 灯珠颜色: 红/绿/黄/橙/蓝/白;  
Color: red/green/yellow/orange/blue/white
- 灯珠寿命: 50000小时。  
Led life: 50000 hours.

描 图

描 校

底 图 号

装 订 号

标记	处数	更改文件号	签字	日期	名称(TITLE): M22 metal electronic switch
制图	APPD.	SCALE.	countersign.	Date.	M22金属电子开关
倪力晓	陈秋霞	1:1		2020. 3. 17	图号(DWG NO):
单重		页码	第1页 共1页 (1/1)		SW-PS22-10E/Y