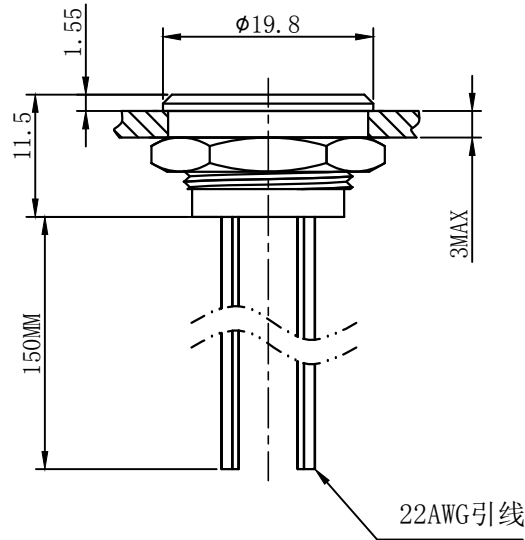
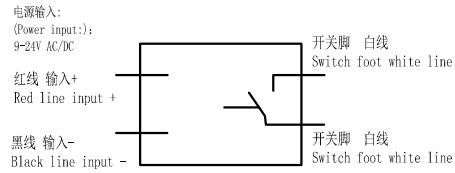


UNIT: mm (毫米)

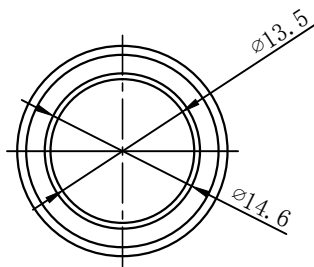
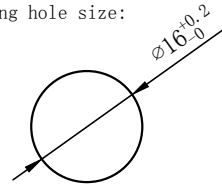
HBAN 红波



开关结构说明:
Switch structure description:



安装孔尺寸:
Mounting hole size:



性能要求:

- Performance requirements:
- 防护等级: IP68、IK09;
Protection grade: IP68、IK09;
 - 接触电阻: $\leq 50m\Omega$;
Contact resistance: $\leq 50m\Omega$;
 - 脉冲时间: $\leq 50ms$;
Pulse time: $\leq 50ms$;
 - 寿命: 电气部分在额定负载下动作1000万次无异常。
Life: electrical part: operate 1000,0000 times under rated load without any abnormality.

技术要求:

- Technical requirements:
- 表面光洁, 平整无毛刺;
The surface is smooth and smooth without burr;
 - 参数/批次字迹清晰, 无错位;
Clear handwriting of parameters/batches without any dislocation;
 - 额定电压: $I_{th}: 200mA$ $U_i: 24V/DC$;
Rated voltage: $200mA$ $U_i: 24V/DC$;
 - 工作环境温度: $-40^\circ C \sim +70^\circ C$;
Working environment temperature: $-40^\circ C \sim +70^\circ C$;
 - 电气功能: 脉冲; 自锁;
Electrical function: Pulse; Since the lock;
 - 动作行程: 无;
Movement stroke: There is no;
 - 连接形式: 焊接导线;
Connection form: welding wire;
 - 拧紧力矩: $5 \sim 14Nm$;
Tightening torque: $5 \sim 14nm$;
 - 开关组合: 1NO; 1NC;
Switch combination: 1NO; 1NC;
 - 外观材料: 不锈钢; 铝合金;
Appearance material: stainless steel; Aluminum alloy;
 - 未标注公差按照GB/T 1804-m级。
Unmarked tolerance shall be in accordance with GB/T 1804-f class.

描 图

描 校

底 图 号

装 订 号

标记	处数	更改文件号	签字	日期	M16 metal electronic switch
制图	APPD. 审核	SCALE. 比例	countersign. 会签	Date. 日期	
倪力晓	陈秋霞	1.5:1		2020.3.17	图号(DWG NO):
PW. 单重		P. 页码	第1页 共1页 (1/1)		SW-PS16C-10/Y