

Ø **221x71** mm

San Ace C221 9TP type **US**

General Specifications

- Material Motor case: Aluminum (Black coating), Impeller: Plastic (Flammability: UL 94V-0)
- Expected life See the table below. (L10 life: 90% survival rate for continuous operation in free air at 60°C, rated voltage) Expected life at 40°C is for reference only.
- Motor protection function Locked rotor burnout protection, Reverse polarity protection For details, please refer to p. 599.
- Dielectric strength 50/60 Hz, 500 VAC, for 1 minute (between lead wire conductors and motor case)
- Insulation resistance 10 MΩ or more with a 500 VDC megger (between lead wire conductors and motor case)
- Sound pressure level (SPL) At 1 m away from the air inlet
- Storage temperature -30 to +70°C (Non-condensing)
- Lead wire ⊕Red ⊖Black (Sensor) Yellow (Control) Brown
- Mass 1050 g

Specifications When the optional inlet nozzle (109-1135) is mounted.

The models listed below **have pulse sensors with PWM control function.**

Model no.	Rated voltage [V]	Operating voltage range [V]	PWM duty cycle [%]	Rated current [A]	Rated input [W]	Rated speed [min ⁻¹]	Max. airflow [m ³ /min] [CFM]	Max. static pressure [Pa] [inchH ₂ O]	SPL [dB (A)]	Operating temperature [°C]	Expected life [h]
9TP24P0H001	24	16 to 36	100	3.2	76.8	3050	17.6 622	530 2.13	71	-20 to +70	40000/60°C (70000/40°C)
			15	0.4	9.6	1000	5.75 203	57.4 0.23	53		
9TP48P0G001	48	36 to 72	100	2.75	132	3650	21 742	760 3.05	74	-20 to +60	
			15	0.2	9.6	1000	5.75 203	57.4 0.23	53		
9TP48P0H001	48	36 to 72	100	1.6	76.8	3050	17.6 622	530 2.13	71	-20 to +70	
			15	0.2	9.6	1000	5.75 203	57.4 0.23	53		

* PWM input frequency is 25 kHz; models without specifications at 0% PWM duty cycle have zero fan speed at 0%.

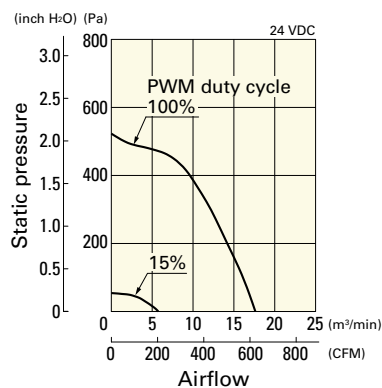
Note 1: The maximum rated input value of 9TP48P0G001: 280 W and 9TP24P0H001/9TP48P0H001: 160 W.

Note 2: Sensor and control options are available for selection. Refer to the table on p. 636.

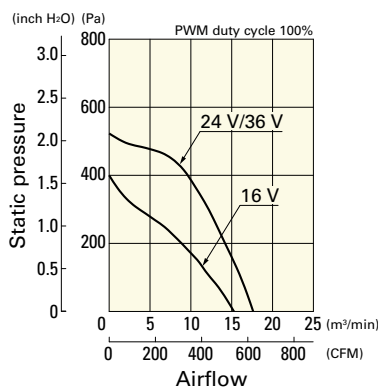
Airflow - Static Pressure Characteristics / PWM Duty - Speed Characteristics Example

9TP24P0H001 With pulse sensor with PWM control function

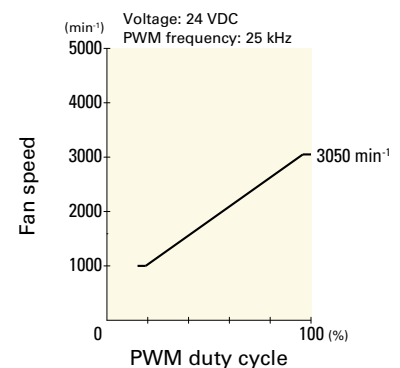
PWM duty cycle



Operating voltage range



PWM duty - Speed characteristics example

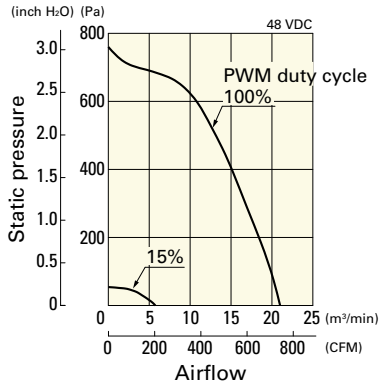


DC
Centrifugal Fan Ø221 mm

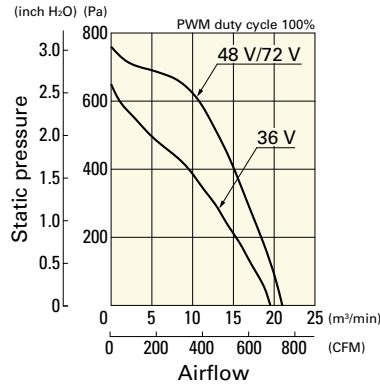
Airflow - Static Pressure Characteristics / PWM Duty - Speed Characteristics Example

9TP48P0G001 With pulse sensor with PWM control function

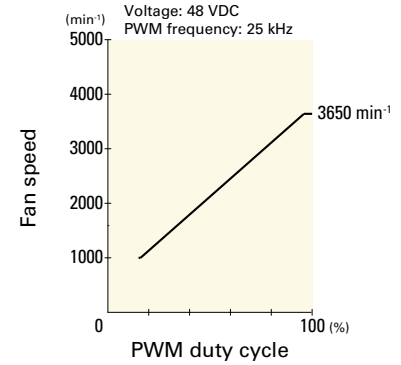
PWM duty cycle



Operating voltage range

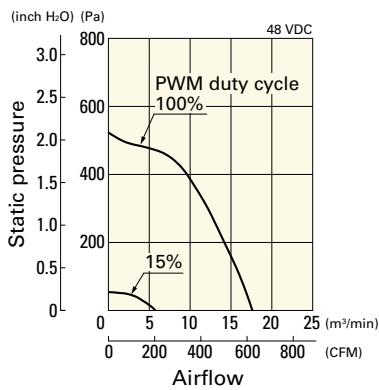


PWM duty - Speed characteristics example

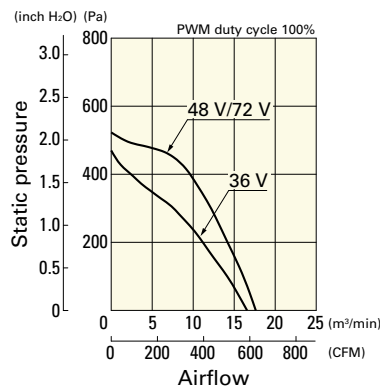


9TP48P0H001 With pulse sensor with PWM control function

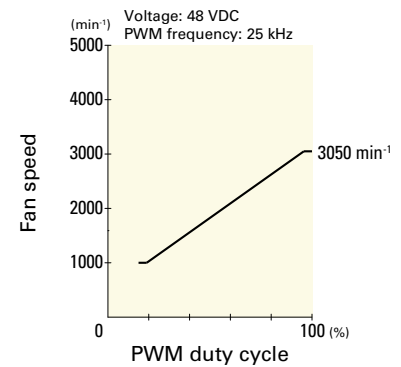
PWM duty cycle



Operating voltage range

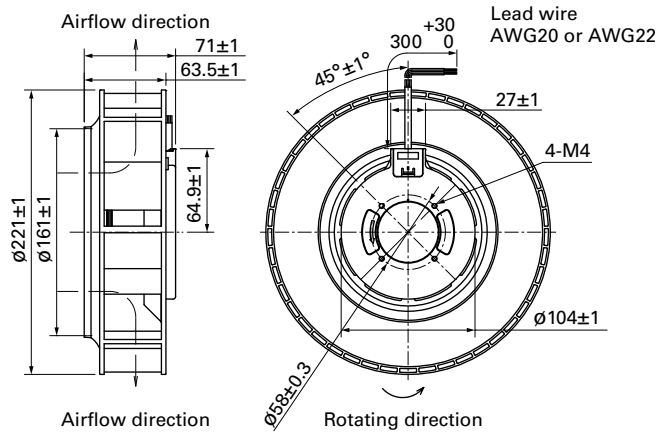


PWM duty - Speed characteristics example

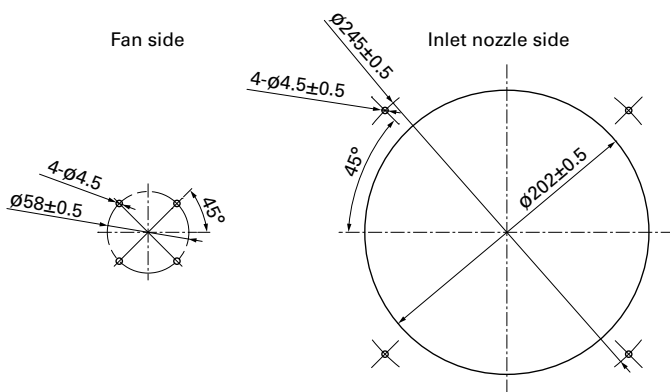


DC Centrifugal Fan $\varnothing 221$ mm

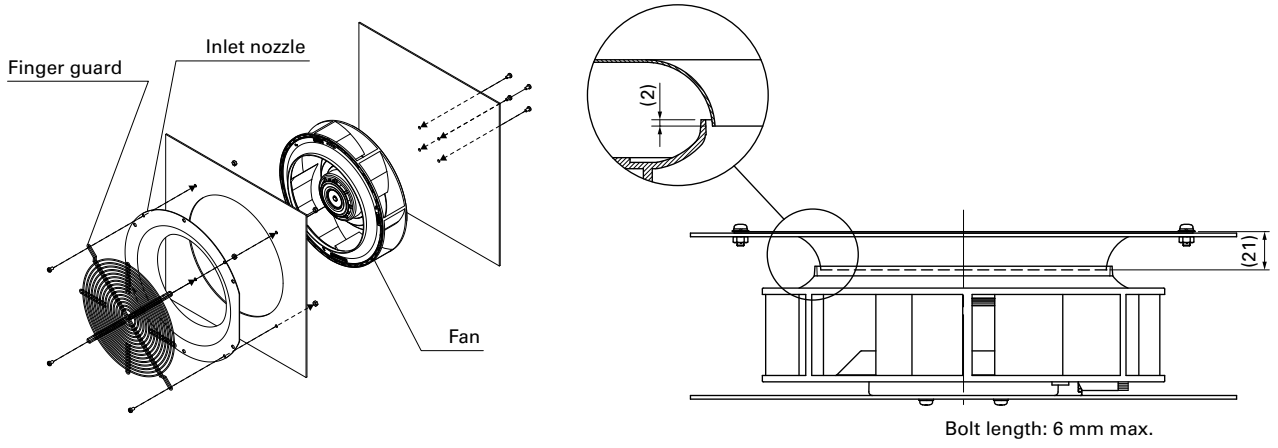
Dimensions (unit: mm)



Reference Dimensions of Mounting Holes and Vent Opening (unit: mm)



Reference Diagram for Mounting Bracket-mounted model of this fan is available. For details, refer to pp. 485 to 487.



Options

Finger guards

page: p. 587

Model no.: 109-1138, 109-1138H

Inlet nozzle

page: p. 589

Model no.: 109-1135, 109-1135H