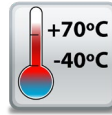


# SW-725 Hardened Industrial 5 Port PoE+ Ethernet Switch

5 Port (Ports 1-4 PoE+) Unmanaged 10/100 Ethernet Switch DIN Mountable

- 5 port PoE+ 10/100 Fast Ethernet device
- Ports 1-4 PoE+ capable
- Fully compliant to IEEE 802.3af/at
- PoE Power Budget: 90W @ 70°C
- Industrial temp range: -40°C to +70°C
- Redundant dual power inputs: +44V to +57V DC
- Compact design with integral DIN mount
- Allows power and data to be combined on the same Ethernet cable



Send power and data to remote CCTV cameras, PoE telephones, PoE Wifi access points, NVRs, and more



Tough metal casing with removable numbered power terminal for easy wiring



Integral DIN mount and slim design takes up minimal cabinet space

# SW-725

## Hardened Industrial 5 Port PoE+ Ethernet Switch

90W PoE Power Budget shared between 4 Ethernet Ports

-40°C to +70°C/-40°F to +158°F temperature range

Ports 1-4 IEEE 802.3af/at compliant: deliver up to 30W to each port (backwards compatible) with IEEE

Tough metal case

Automatic detection of data transmission speed: 10 or 100 MBps



Integral DIN mount with ground

Power consumption is optimised based on the status of the link device

2k Byte maximum packet size – improves the efficiency of bulk data transfer and system performance

Easy Wire Removable screw terminal block

Dual redundant power input: +44VDC to +57VDC

### Connectors

Screw Terminals

3.5mm pitch, #22 - #14, 0.5mm<sup>2</sup>-2.5mm<sup>2</sup> pin power supply

Wire Thickness

0.150 inch, 3.81mm, 20 pins, 12+8 screw terminals, #26 - #16 AWG, 0.14mm<sup>2</sup>-1.3mm<sup>2</sup>

### Power Supply

Power Consumption

4 Watts Max : 91mAmps@+44VDC/70mAmps@+57VDC

PoE Power Budget

90W @ 70°C

Power Supply input

Unregulated +44V to +57Volts DC, reverse polarity protection

Isolation

1500VRMS Magnetic isolation from Ethernet

### Environmental

Operating Temperature

-40°C to +70°C/-40°F to +158°F

Storage Temperature

-40°C to +70°C/-40°F to +158°F

Ambient Relative Humidity

5 to 95% (non-condensing)

### Magjack LED Information

Link/Activity LED

Solid green

Connection established

Flashing Green

Data communication

PoE Power LED (Ports 1-4)

Solid Yellow

PoE Power ON

Flashing Yellow

Power Warning

### Ethernet

Ethernet Port

5 x RJ45 jack, 10/100Mhz autosensing, crossover auto sensing (Auto MDIX)

Protection

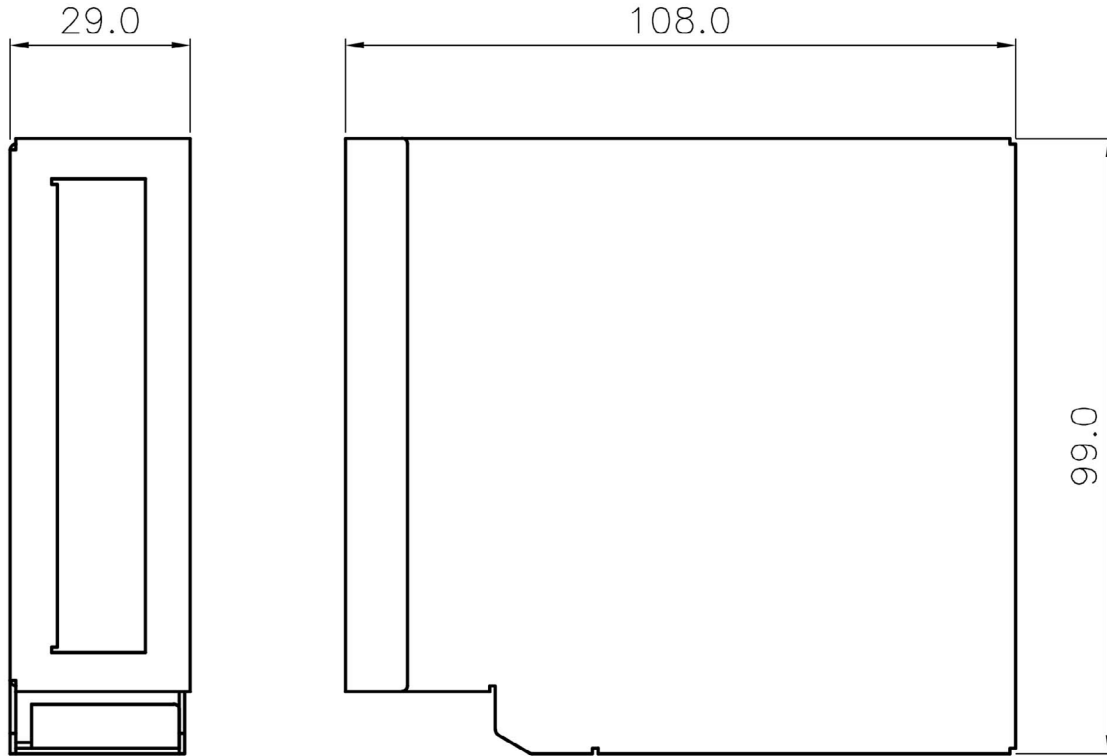
1,500 Volts magnetic isolation between ports

Housing

IP-20 rated non-conducting polyamide case

**SW-725**

**Hardened Industrial 5 Port PoE+ Ethernet Switch**



**Ethernet Ports x4 Pin Outs**

PoE Pinout 1/2(V+) 3/6(V-) Endspan Mode A

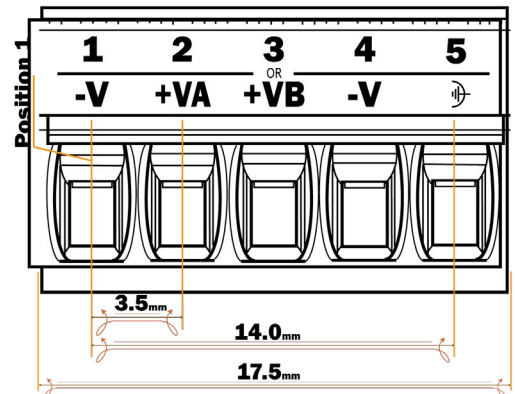
PIN	FUNCTION
1	Tx+ DC+
2	Tx- DC+
3	Rx+ DC-
4	unused
5	unused
6	Rx- DC-
7	unused
8	unused

5 position 3.5mm pitch socket compatible with Euroblock pluggable terminal block connectors

**Power Terminal Pin Outs**

PIN	FUNCTION
1	-V
2	+VA
3	+VB
4	-V

5 position 3.5mm pitch pluggable terminal block included



**Lifetime Warranty and Support:**

We can help with every aspect of your project, from getting you up and running to custom application.

## SW-725

## Hardened Industrial 5 Port PoE+ Ethernet Switch

### Product Information

Product Weight	0.33kg, 11.64 ounces
Product Dimensions	120x100x30 mm, 4.7x3.9x1.19 inches

### Packaging Information

Packaging	Quick Start Guide, Device
Packaged Weight	0.44 kg, 15.5 ounces
Packaged Dims	160x135x49 mm, 6.3x5.3x1.9 inches
GTIN Universal Code	837324004564

### Industry Approvals

	Microsoft Certified Gold Partner, WEEE, RoHS, AEO (C-TPAT), CE, UKCA, METL Complies with UL62368-1
HTS	8517620000
ECCN	5A991.b
CAGE	8QCY6

### Warranty

### Support

Lifetime - online registration required  
 Lifetime Web, Email & Phone Support from fully qualified, friendly staff who work in and alongside the Product Development Team

### Standards

### OEM option

### COO (Country of Origin)

### Made In

ISO9001, ISO14001  
 Available for bulk buy OEM  
 GB  
 Manufactured in GB by Brainboxes



**PW-323**  
PoE Splitter



**PW-301**  
DIN Rail Power Supply



**SW Range**  
Switch products available in a range of formats and specifications.  
[www.brainboxes.com](http://www.brainboxes.com)