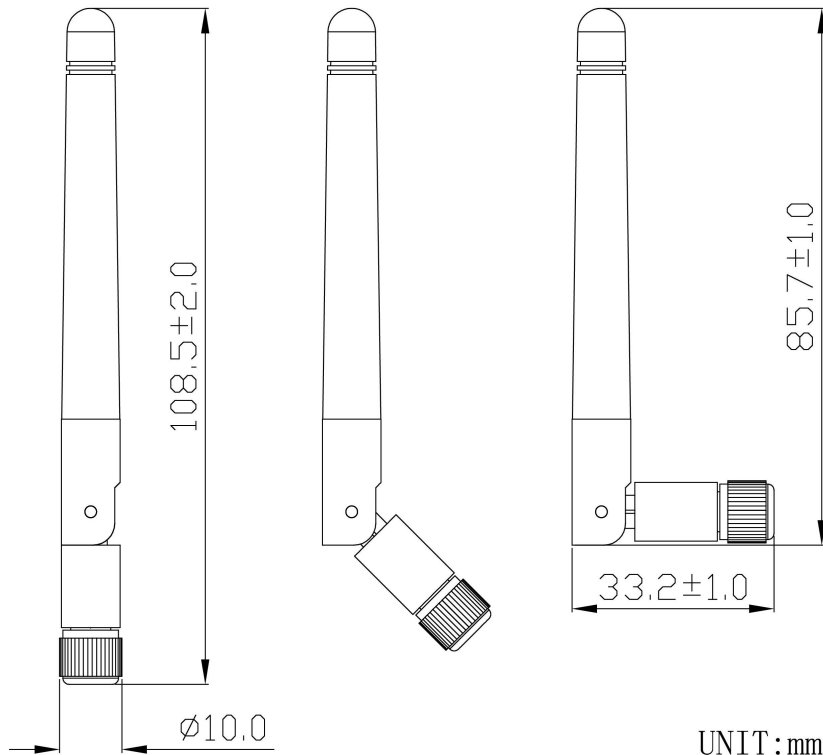


GSM Antenna

JCG402



DIMENSIONS



SPECIFICATIONS

Item		Specifications
Antenna	Frequency Range	824-894/1710-2100MHZ or 880-960/1710-2100MHZ
	Polarization	Linear
	Gain	2dBi (Zenith)
	V.S.W.R (min)	<2.5
	Impedance	50 Ω
	Connector	SMA Male
Environmental	Operating Temperature	-40℃~+85℃
	Vibration	10 to 55Hz with 1.5mm amplitude 2hours
	Environmentally Friendly	ROHS Compliant

Radiation Pattern

