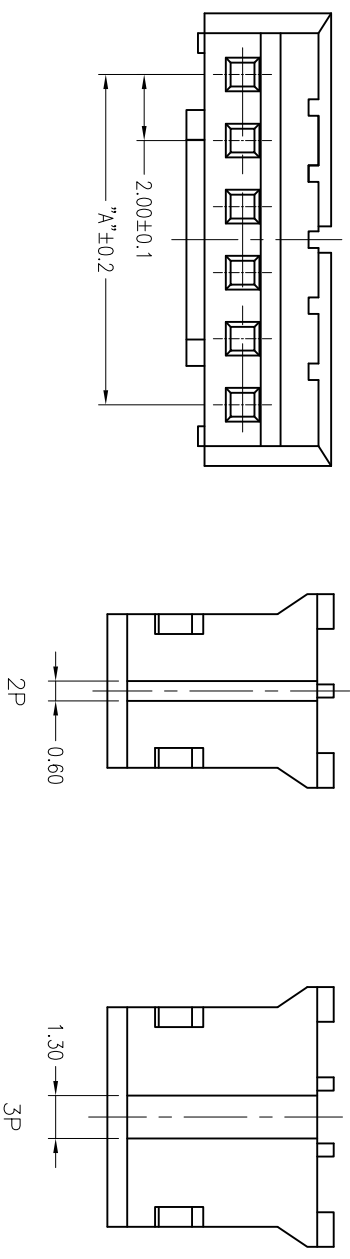
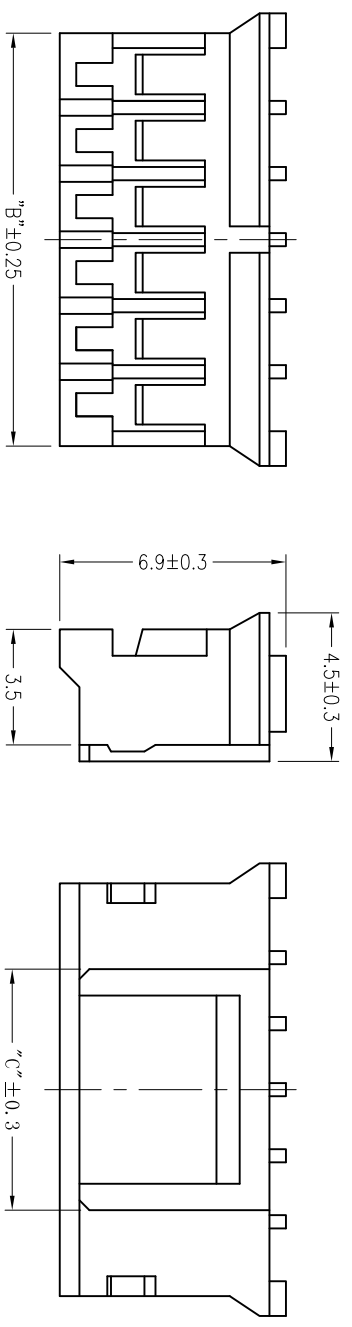



	A																B				C				D				E			
Poles	2P	3P	4P	5P	6P	7P	8P	9P	10P	11P	12P	13P	14P	15P	16P	2P	3P	4P	5P	2P	3P	4P	5P	2P	3P	4P	5P	2P	3P	4P	5P	
DIM.A	2.0	4.0	6.0	8.0	10.0	12.0	14.0	16.0	18.0	20.0	22.0	24.0	26.0	28.0	30.0																	
DIM.B	4.6	6.6	8.6	10.6	12.6	14.6	16.6	18.6	20.6	22.6	24.6	26.6	28.6	30.6	32.6																	
DIM.C	0.6	1.3	3.3	5.3	7.3	9.3	11.3	13.3	15.3	17.3	19.3	21.3	23.3	25.3	27.3																	



- 技术参数 SPECIFICATIONS
- ◆ 适用线地: AWG#30~#24
 - ◆ Applicable Wire: AWG#30~#24
 - ◆ 额定电压: 100V DC,AC(rms)
 - ◆ Rated voltage: 100V DC,AC(rms)
 - ◆ 额定电流: 2A (AWG #24)
 - ◆ Rated Current: 2A (AWG #24)
 - ◆ 耐压值: 800V AC/minute
 - ◆ Withstand voltage: 800V AC/min.
 - ◆ 工作温度: -25°C ~ +85°C
 - ◆ Working Temp : -25°C ~ +85°C
 - ◆ 绝缘电阻: $\geq 1000\ \text{M}\Omega$
 - ◆ Insulation resistance: $\geq 1000\ \text{M}\Omega$
 - ◆ 接触电阻: $\leq 10\ \text{m}\Omega$
 - ◆ Contact resistance: $\leq 10\ \text{m}\Omega$
- 材料 MATERIAL
- ◆ 绝缘体: 尼龙66, UL94-V2
 - ◆ Insulator: Nylon66, UL94-V2

 JIMDA ® Dongguan Jimda Electronics Co., Ltd 东莞市津达电子有限公司	GENERAL TOLERANCE		SCALE: 4.5:1	DRAWN: 柴艳妮	DATE: 2015.1.6	DOC. NO: E:\DWG\Production\PH	TITLE: 工程图	REV. A
	XX. ±0.40	X. ±0.30	UNIT: mm	CHECK: 柴艳妮	DATE: 2015.1.6	PARTS NO: PH-NY	SHEET: 1/1	
X. ±0.25	XX ±0.15	SIZE: A4	APPROVE: 柴艳妮	DATE: 2015.1.6				