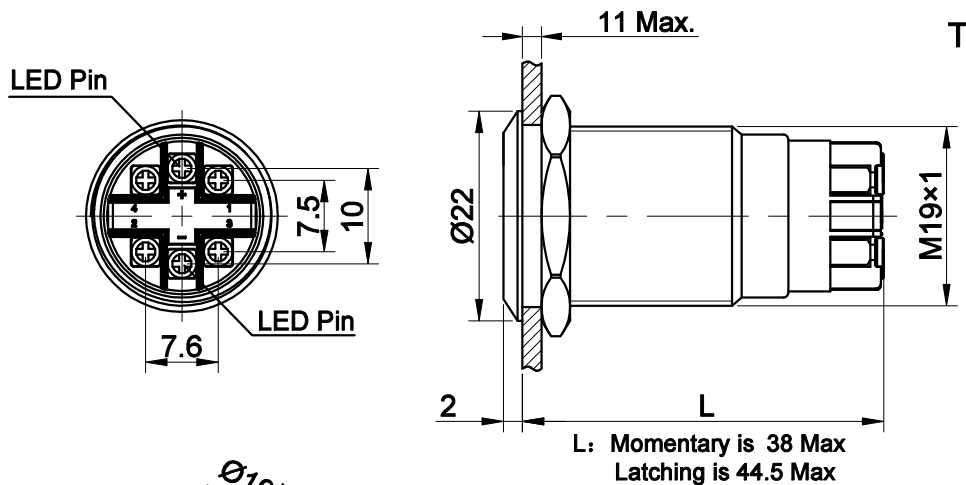
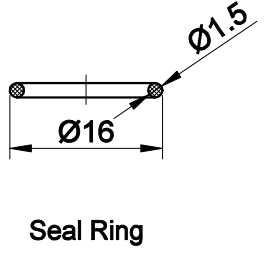
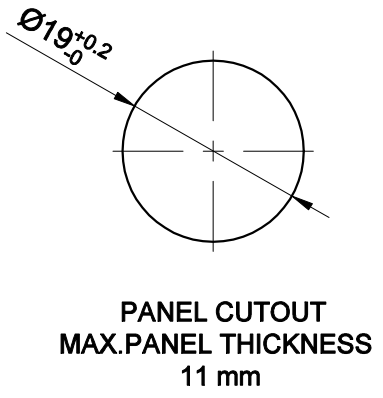
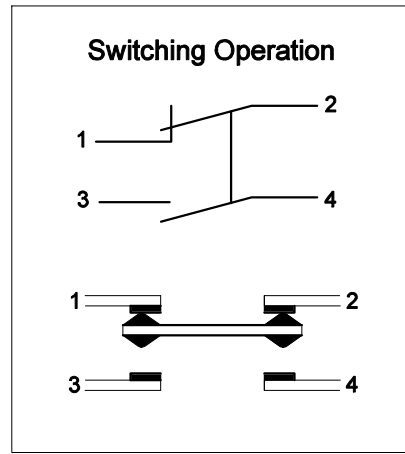
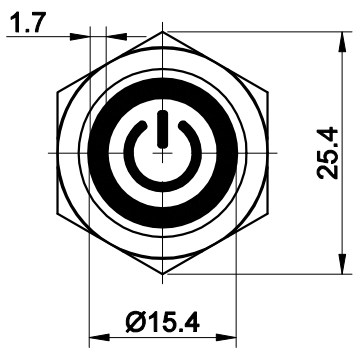


FOR 客户名称	APPROVED 客户确认签字	ATTN 销售负责人



The shaded area is illuminated



Part Number: LAS1GQ-11 ■ ET/L/△/▲/S

"■"	Operation mode	"△"	Lamp Color	"▲"	Lamp voltage
No Letter	Momentary	R	Red	6V	AC/DC 6V
Z	Latching	G	Green	12V	AC/DC 12V
		Y	Yellow	24V	AC/DC 24V
		B	Blue	110V	AC/DC 110V
		W	White	220V	AC/DC 220V
				Other voltage can be made to order	

SPECIFICATIONS:

- 1.Switch Rating: AC220V/2A, DC220V/0.1A.
 - 2.Mechanical Life: ≥1,000,000cycles.
 - 3.Electrical Life: ≥50,000cycles.
 - 4.Contact Resistance: ≤50mΩ.
 - 5.Insulation Resistance: ≥1,000MΩ.
 - 6.Dielectric Strength: 1,500V, RMS 50Hz, 1min.
 - 7.Operating Temperature: -25°C~ +55°C(No Freezing).
 - 8.Operating Force: About 4N(IP65), About 5N(IP67).
 - 9.Operating Travel: About 2.5mm.
 - 10.Torque: About 0.8Nm max.applied to nut.
 - 11.IP Class: IP65, IP67(Momentary can made to order).
 - 12.Terminal Type: Screw Terminal.
- ★Relative position of power symbol and terminal is not fixed.

MATERIALS:

- 1.Contact: Silver alloy.
- 2.Button: Stainless steel.
- 3.Body: Stainless steel.
- 4.Base: PA/PC.

BRAND 品牌 ONPOW	USED 用途		APPD 审核 CH 2019/07/05	
	FINISH 处理		CHKD 校对 NCH 2019/07/05	
THESE DRAWINGS AND SPECIFICATIONS ARE THE PROPERTY OF ONPOW PUSH BUTTON MANUFACTURE CO.,LTD. AND SHALL NOT BE REPRODUCED COPIED OR USED IN ANY MANNER WITHOUT THE PRIOR WRITTEN CONSENT OF ONPOW PUSH BUTTON MANUFACTURE CO.,LTD.	SCALE 比例 1.2 / 1	UNIT 单位 mm	DR. 制图 ZPD 2019/07/05	
	DIMENSIONS	TOLERANCE	TITLE 名称 Anti-vandal push button	
0.00 TO 18.00mm	±0.43mm	DWG NO. 图号 LAS1GQ-11ET-L(2018)		
18.01 TO 30.00mm	±0.52mm	FILE NAME 档案名称 LAS1GQ-11ET-L.DWG		
30.01 TO 50.00mm	±0.62mm	SHEET 张 1 / 1	REV. 更改 1	
50.01 TO 80.00mm	±0.74mm	SIZE 图纸 A4		