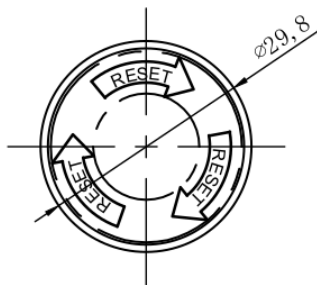
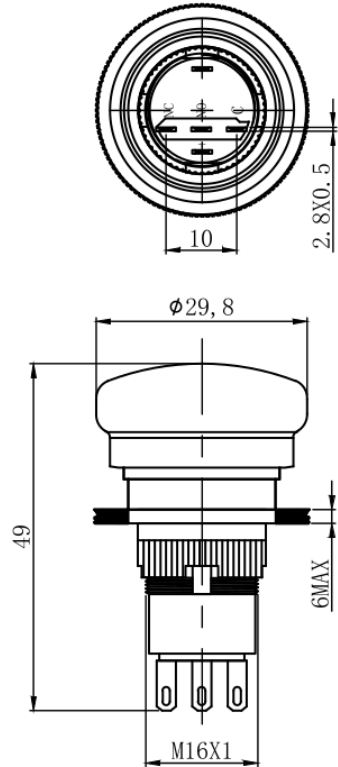
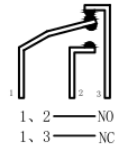


UNIT: mm

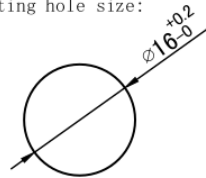
# HBAN 红波



开关结构说明:  
Switch structure description:



安装孔尺寸:  
Mounting hole size:



性能要求:

Performance requirements:

- 防护等级: IP40;  
Protection grade: IP40;
- 接触电阻:  $\leq 50\text{m}\Omega$ ;  
Contact resistance:  $\leq 50\text{m}\Omega$
- 绝缘电阻:  $\geq 100\text{M}\Omega$ ;  
The insulation resistance:  $\geq 100\text{M}\Omega$ .
- 抗电强度: AC2500V, 1min, 无闪烁、击穿;  
Electrical resistance: AC2500V, 1min, no flicker and breakdown;
- 寿命: 电气部分在额定负载下动作5万次无异常。  
Life: electrical part: operate 50,000 times under rated load without any abnormality.  
机械部分: 动作50万次无异常;  
Mechanical part: no abnormal movement for 500,000 times

技术要求:

Technical requirements:

- 表面光洁, 平整无毛刺;  
The surface is smooth and smooth without burr;
- 参数/批次字迹清晰, 无错位;  
Clear handwriting of parameters/batches without any dislocation;
- 额定电压: Ith: 5A Ui: 250V;  
Rated voltage: 5A Ui: 250V;
- 工作环境温度:  $-25^{\circ}\text{C} \sim +65^{\circ}\text{C}$ ;  
Working environment temperature:  $-25^{\circ}\text{C} \sim +65^{\circ}\text{C}$ ;
- 动作形式: 自锁式;  
Action form: self-locking ;
- 动作行程: 约3.6mm;  
Movement stroke: about 3.6mm
- 连接形式: 配套接插件/焊接导线;  
Connection form: supporting connector/welding wire;
- 拧紧力矩: 5~14Nm;  
Tightening torque: 5~14nm;
- 开关组合: 1NO1NC;  
Switch combination: 1NO1NC;
- 外观材料: 按键: 铝合金;  
外壳: PC;  
底座: PBT;  
触点: 银合金;  
Appearance material: Button surface: Aluminum alloy;  
Case: PC;  
Pedestal: PBT;  
Contact silver alloy
- 未标注公差按照GB/T 1804-m级。  
Unmarked tolerance shall be in accordance with GB/T 1804-f class.

描 图

描 校

底 图 号

装 订 号

					SHANGHAI HONGBO ELECTRIC CO. LTD.
					(TITLE): M16 plastic emergency stop switch
DR.	APPD.	SCALE.	countersign.	Date.	日期
制 图	审 核	比 例	会 签	日 期	
		1:1		2020. 2. 21	(DWG NO): SW-EM16C-10A-J-HB
PW.		P.		(1/1)	
单	重	页	码		