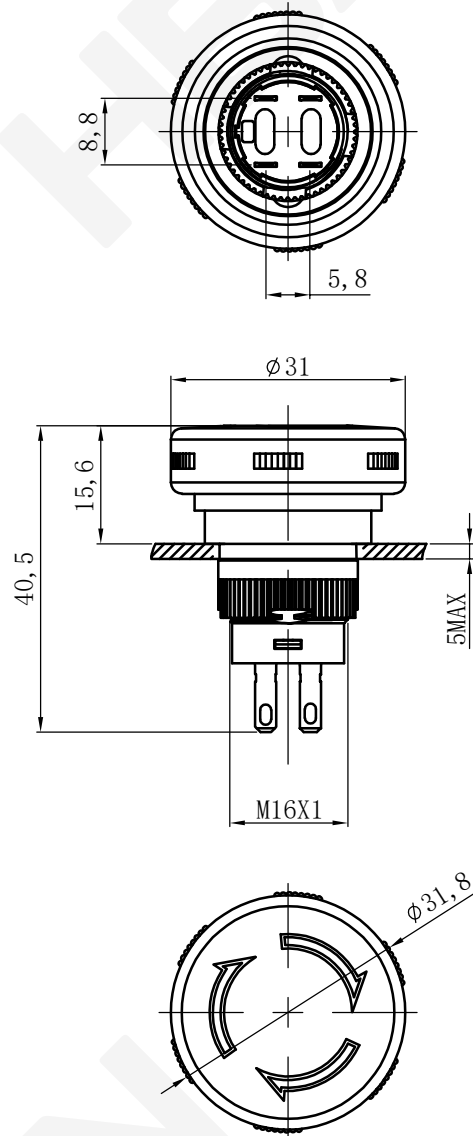


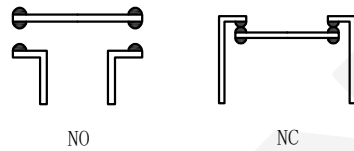
UNIT: mm (毫米)

HBAN

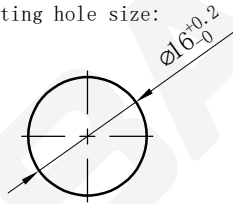
红波



开关结构说明:
Switch structure description:



安装孔尺寸:
Mounting hole size:



性能要求:

Performance requirements:

- 防护等级: IP65;
Protection grade: IP65;
- 接触电阻: $\leq 50\text{m}\Omega$;
Contact resistance: $\leq 50\text{m}\Omega$;
- 绝缘电阻: $\geq 100\text{M}\Omega$;
The insulation resistance: $\geq 100\text{M}\Omega$
- 抗电强度: AC2500V, 1min, 无闪烁、击穿;
Electrical resistance: AC2500V, 1min, no flicker and breakdown;
- 寿命: 电气部分在额定负载下动作5万次无异常。
Life: electrical part: operate 50,000 times under rated load without any abnormality.
机械部分: 动作30万次无异常;
Mechanical part: no abnormal movement for 300,000times.

技术要求:

Technical requirements:

- 表面光洁, 平整无毛刺;
The surface is smooth and smooth without burr;
- 参数/批次字迹清晰, 无错位;
Clear handwriting of parameters/batches without any dislocation;
- 额定电压: Ith: 5A Ui: 250V;
Rated voltage: 5A Ui: 250V;
- 工作环境温度: $-25^{\circ}\text{C} \sim +65^{\circ}\text{C}$;
Working environment temperature: $-25^{\circ}\text{C} \sim +65^{\circ}\text{C}$;
- 动作形式: 自锁式;
Action form: self-locking ;
- 动作行程: 约3.6mm;
Movement stroke: about 3.6mm
- 连接形式: 配套接插件/焊接导线;
Connection form: supporting connector/welding wire;
- 拧紧力矩: 5~14Nm;
Tightening torque: 5-14nm;
- 开关组合: 1NO1NC;
Switch combination: 1NO1NC;
- 外观材料: 按键: PA66;
外壳: PC;
底座: PBT;
触点: 银合金;
Appearance material: Keypad: PA66;
Case: PC;
Pedestal: PBT;
Contact silver alloy;
- 未标注公差按照GB/T 1804-m级。
Unmarked tolerance shall be in accordance with GB/T 1804-m class.

描 图

描 校

底 图 号

装 订 号

					SHANGHAI HONGBO ELECTRIC CO. LTD.
					(TITLE): M16 Emergency stop button switch
DR.	APPD.	SCALE.	COUNTERSIGN.	DATE.	
制 图	审 核	比 例	会 签	日 期	
倪	陈秋霞	1:1		2020.3.20	图号 (DWG NO): SW-EM16FA-10A-J1-HB
P.W.	P.				
单 重	页 码	第1页 共1页 (1/1)			