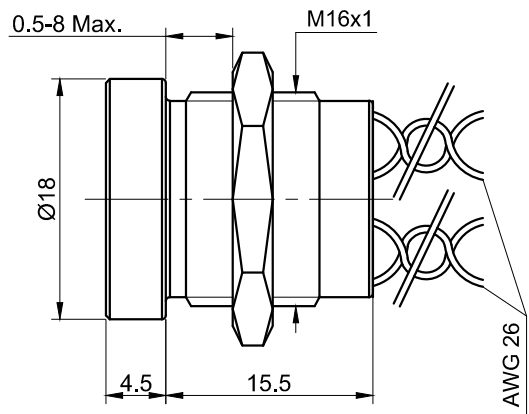
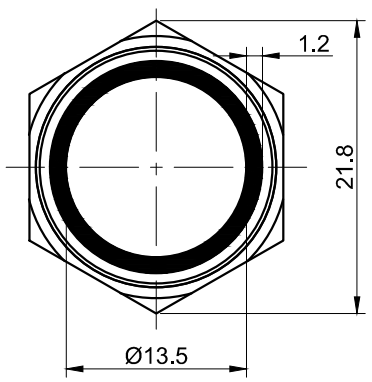


FOR 客户名称	APPROVED 客户确认签字	ATTN 销售负责人

A



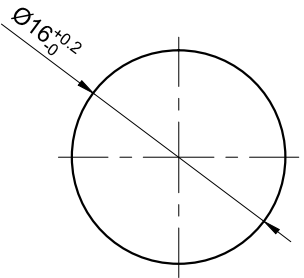
The shaded part is illuminated



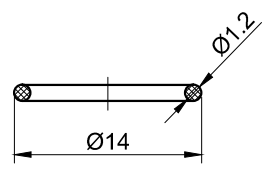
Part Number: PS165P10ZY ◆ 1 △ ▲

"◆"	Colour/Materials	"△"	Lamp Color	"▲"	LED Volvate
NT	Natural anodized (Al alloy)	R	Red	05	DC 5V
BU	Blue anodized (Al alloy)	G	Green	12	DC 12V
BK	Black anodized (Al alloy)	Y	Yellow	24	DC 24V
GD	Gold anodized (Al alloy)	B	Blue		
RD	Red anodized (Al alloy)	W	White		
SS	Stainless steel				
GN	Green anodized (Al alloy)				

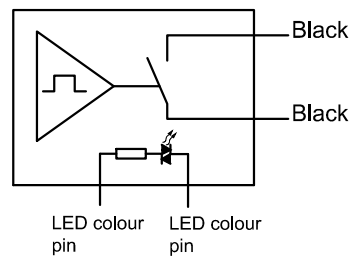
B



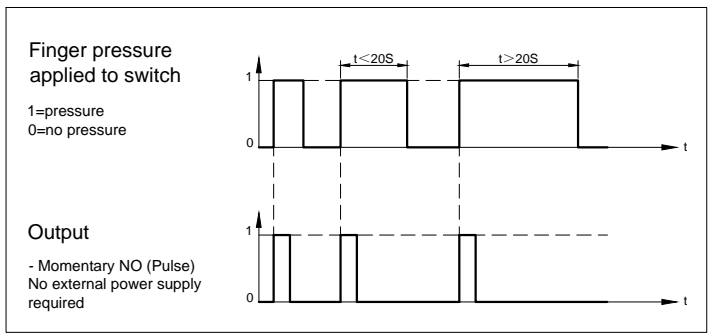
PANEL CUTOUT  
MAX.PANEL THICKNESS  
8 mm



Seal Ring



Wiring Diagram



C

**SPECIFICATIONS:**

- 1.Switch Operation: Momentary NO (Pulse).
- 2.Max.Switch Rating: 200mA 24VAC/DC.
- 3.Operation Life: 50 Million cycles.
- 4.Operating Temperature: -40°C ~ +75°C.
- 5.IP Class: IP68.
- 6.Wiring: AWG 26, Length 300mm.
- 7.Operating Force: About 5~10N.

**MATERIALS:**

- 1.Body: Al Alloy/Stainless steel.

D

BRAND 品牌	<b>ONPOW</b>	红波按钮制造有限公司 ONPOW PUSH BUTTON MANUFACTURE CO.,LTD.			
THESE DRAWINGS AND SPECIFICATIONS ARE THE PROPERTY OF ONPOW PUSH BUTTON MANUFACTURE CO.,LTD. AND SHALL NOT BE REPRODUCED COPIED OR USED IN ANY MANNER WITHOUT THE PRIOR WRITTEN CONSENT OF ONPOW PUSH BUTTON MANUFACTURE CO.,LTD.		USED 用途	APPD 审核	CH	2020/05/11
		FINISH 处理	CHKD 校对	NCH	2020/05/11
		SCALE 比例	UNIT 单位	DR. 制图	ZPD 2020/05/11
		TITLE 名称			
		DWG NO. 图号			
		FILE NAME 档案名称			
		SHEET 张	1 / 1	REV. 更改	1

DIMENSIONS	TOLERANCE	TITLE 名称	
0.00 TO 18.00mm	±0.43mm	Piezo electric Switch	
18.01 TO 30.00mm	±0.52mm	DWG NO. 图号	
30.01 TO 50.00mm	±0.62mm	PS165P10自复	SIZE 图纸 A4
50.01 TO 80.00mm	±0.74mm	FILE NAME 档案名称	
		SHEET 张	1 / 1
		REV. 更改	1

E