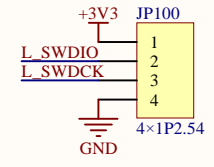
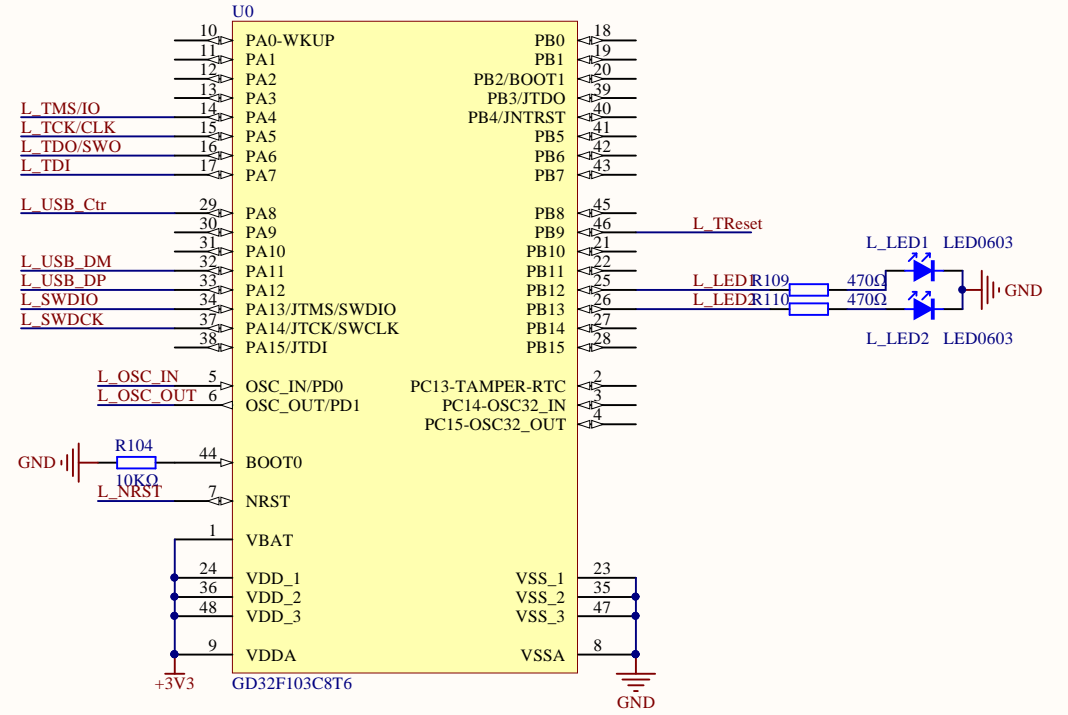
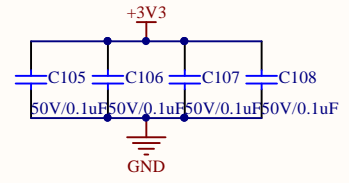
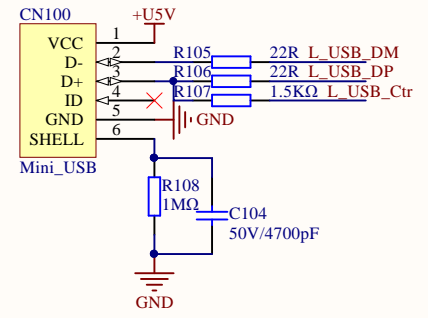
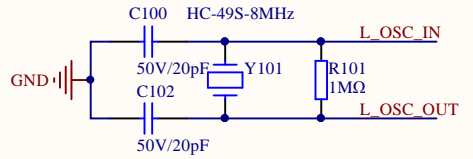
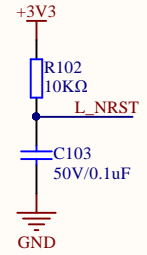


MCU SWD



Reset



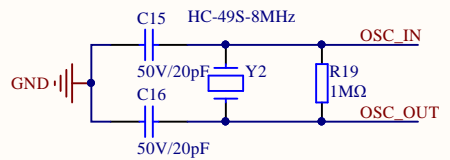
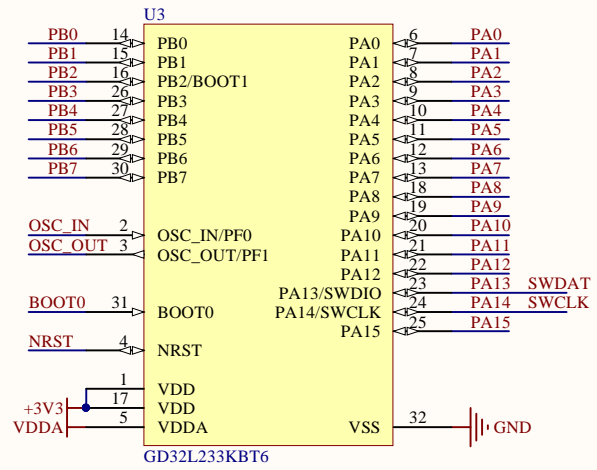
Company Name: GigaDevice

File Name: GDLink

Revision: 1.0

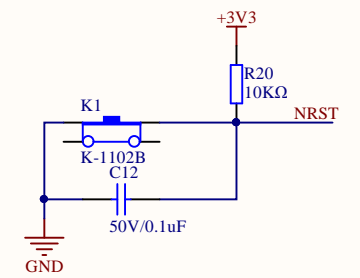
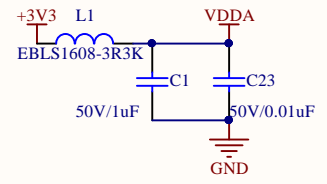
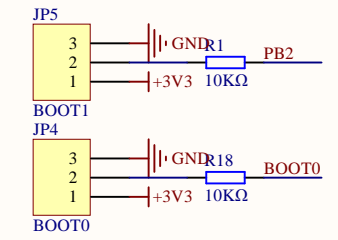
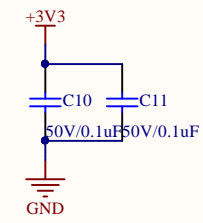
Data: 2021-10

Author: XuFei



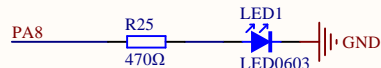
SWD GDLink

SWDAT L_TMS/IO
 SWCLK L_TCK/CLK
 NRST L_TReset

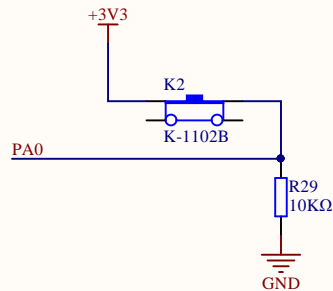


Company Name: GigaDevice		
File Name: MCU		
Revision: 1.0	Data: 2021-10	Author: Xufei

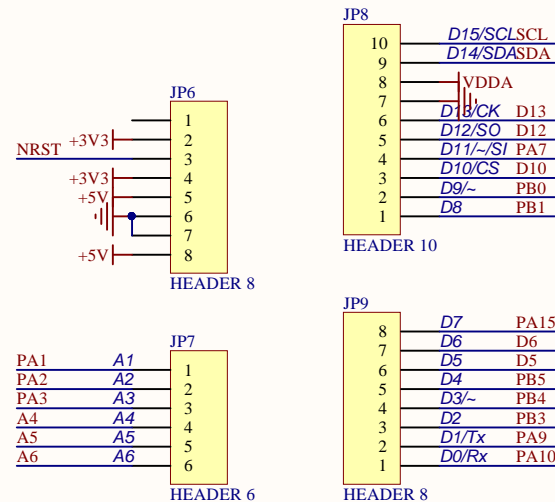
LED



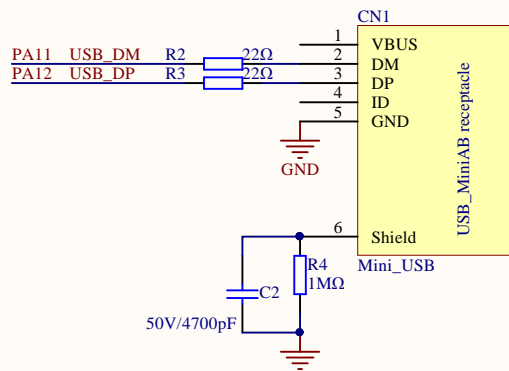
KEY



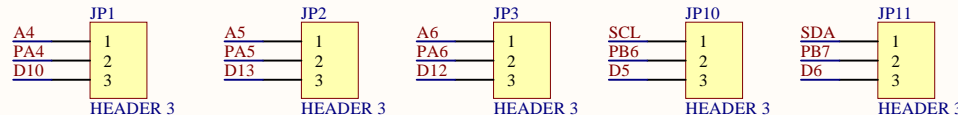
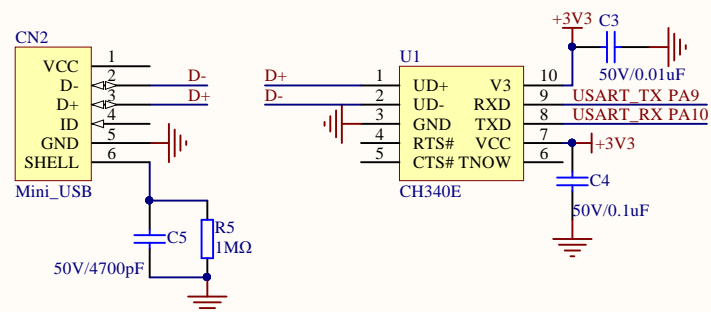
Arduino



USB



USART To USB



Company Name: GigaDevice		
File Name: Peripherals		
Revision: 1.0	Data: 2021-10	Author: Xufei

1

2

3

4

A

A

B

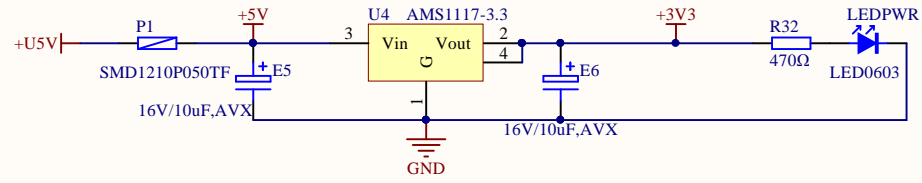
B

C

C

D

D



Company Name: GigaDevice

File Name: Power

Revision: 1.0

Data: 2021-10

Author: Xufei

1

2

3

4

GD32
GD32MCU.com
GD32L233K-START
2021-10 V1.0

