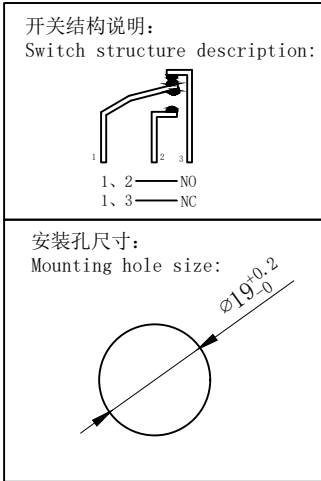
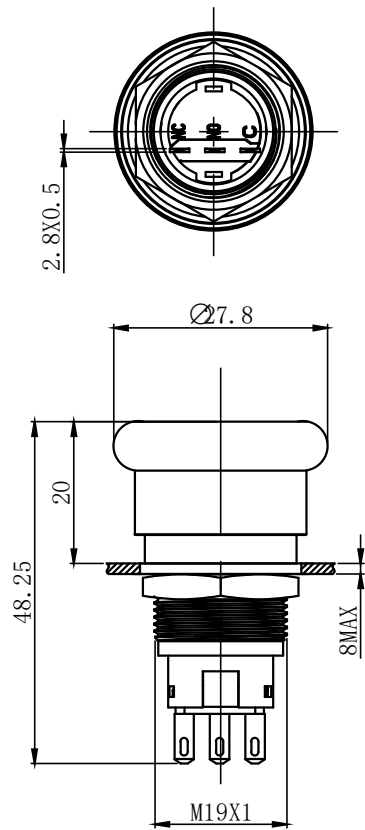


UNIT: mm (毫米)

# HBAN 红波



- 性能要求:  
Performance requirements:
- 防护等级: IP40;  
Protection grade: IP40;
  - 接触电阻:  $\leq 50m\Omega$   
Contact resistance:  $\leq 50m\Omega$
  - 绝缘电阻:  $\geq 100M\Omega$   
The insulation resistance:  $\geq 100M\Omega$
  - 抗电强度: AC2500V, 1min, 无闪烁、击穿;  
Electrical resistance: AC2500V, 1min, no flicker and breakdown;
  - 寿命: 电气部分在额定负载下动作5万次无异常。  
Life: electrical part: operate 50,000 times under rated load without any abnormality.  
机械部分: 动作30万次无异常;  
Mechanical part: no abnormal movement for 300,000times

技术要求:

Technical requirements:

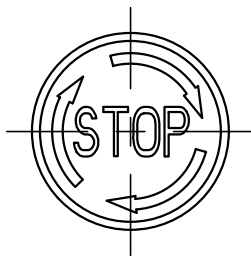
- 表面光洁, 平整无毛刺;  
The surface is smooth and smooth without burr;
- 参数/批次字迹清晰, 无错位;  
Clear handwriting of parameters/batches without any dislocation;
- 额定电压: Ith: 5A Ui: 250V;  
Rated voltage: 5A Ui: 250V;
- 工作环境温度:  $-25^{\circ}C \sim +65^{\circ}C$ ;  
Working environment temperature:  $-25^{\circ}C \sim +65^{\circ}C$ ;
- 动作形式: 自锁式;  
Action form: self-locking ;
- 动作行程: 约3.6mm;  
Movement stroke: about 3.6mm
- 连接形式: 配套接插件/焊接导线;  
Connection form: supporting connector/welding wire;
- 拧紧力矩: 5~14Nm;  
Tightening torque: 5-14nm;
- 开关组合: 1NO1NC;  
Switch combination: 1NO1NC;
- 外观材料: 按键: 铝合金;  
外壳: 铝合金/PC;  
底座: PBT;  
触点: 银合金;  
Appearance material: Keypad: Aluminum alloy;  
Case: Aluminum alloy/PC;  
Pedestal: PBT;  
Contact silver alloy
- 未标注公差按照GB/T 1804-m级。  
Unmarked tolerance shall be in accordance with GB/T 1804-f class.

描 图

描 校

底 图 号

装 订 号



					SHANGHAI HONGBO ELECTRIC CO. LTD.
					上海红波电器有限公司
					名称(TITLE): M19 Metal emergency stop button switch
					M19金属急停按钮开关
标记	处数	更改文件号	签字	日期	图号(DWG NO): SW-EM19CA-10A-J-HB
DR. 制 图	APPD. 审 核	SCALE. 比 例	countersign. 会 签	Date. 日 期	
黄	陈秋霞	1:1		2019.11.26	
PW. 单 重		P. 页 码	第1页 共1页(1/1)		