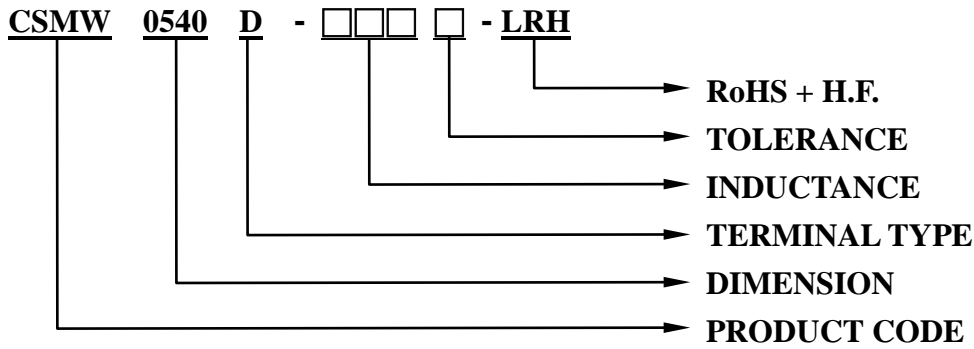


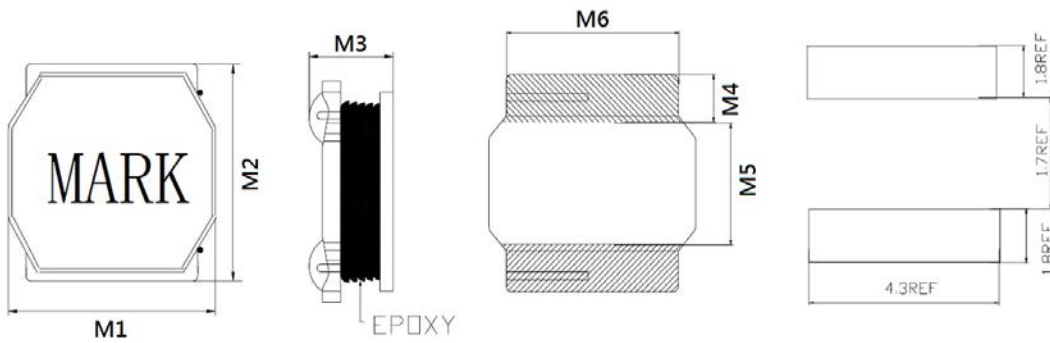
SPECIFICATION FOR APPROVAL

※This is a RoHS and REACH compliant product whose related documents are available on request.
 ※Graphic is only for dimensionally application.

1. PART NUMBER IDENTIFICATION



2. MECHANICAL DIMENSION



UNIT: mm

	DIM.	TOL.
M1	5.0	±0.2
M2	5.0	±0.2
M3	4.0	MAX.
M4	1.5	REF.
M5	2.0	REF.
M6	4.0	REF.

SPECIFICATION FOR APPROVAL

3. ELECTRICAL SPECIFICATION

Part number	Mark	Inductance (uH)	DC Resistance (mΩ) MAX.	Isat (A)	Irms (A)
CSMW0540D-1R5M-LRH	1R5	1.5	19.5	6.3	4.3
CSMW0540D-2R2N-LRH	2R2	2.2	24.7	4.9	3.8
CSMW0540D-3R3N-LRH	3R3	3.3	31.2	3.95	3.4
CSMW0540D-4R7N-LRH	4R7	4.7	39.0	3.5	3.0
CSMW0540D-6R8M-LRH	6R8	6.8	55.9	2.9	2.5
CSMW0540D-100M-LRH	100	10	83.2	2.35	2.1
CSMW0540D-150M-LRH	150	15	111.8	2.0	2.0
CSMW0540D-220M-LRH	220	22	167.7	1.6	1.5
CSMW0540D-330M-LRH	330	33	244.4	1.3	1.2
CSMW0540D-470M-LRH	470	47	353.6	1.1	1.0

TOLERANCE : M:±20%、K:±10%、N:±30%、L:±15%.

※ INDUCTANCE: @100KHz,0.25V

※ TEST MACHINE: HP-4284A OR EQUIVALENT

※ DC RESISTANCE: TH2512B OR EQUIVALENT

※ OPERATING TEMPERATURE: -40°C ~ +125°C.

※ INDUCTANCE DROPS NO MORE THAN 30% OF INITIAL VALUE AT ISAT.

※ TEMPERATURE RISES: $\Delta t < 40^{\circ}\text{C}$ AT IRMS.

※ MSL: LEVEL 1.

