

## ● General Specifications

- ⌚ Material ----- Frame:Plastics (Flammability:UL94V-0)  
Impeller:Plastics (Flammability:UL94V-0)
- ⌚ Lead Wire ----- + Red - Black (Control) Yellow (Sensor) Brown
- ⌚ Life time -----20000 Hours Sleeve bearing  
70000 Hours Ball bearing
- ⌚ Storage Temperatur--- -30°C ~ +70°C (Non-condensing)
- ⌚ Bearing Type----- Ball Bearings Sleeve
- ⌚ Speed Range----- ±10%
- ⌚ Part Numbering System



MG1212GHE-D1 B R 1

Waterproof level:0=no,1=IP55,2=IP68

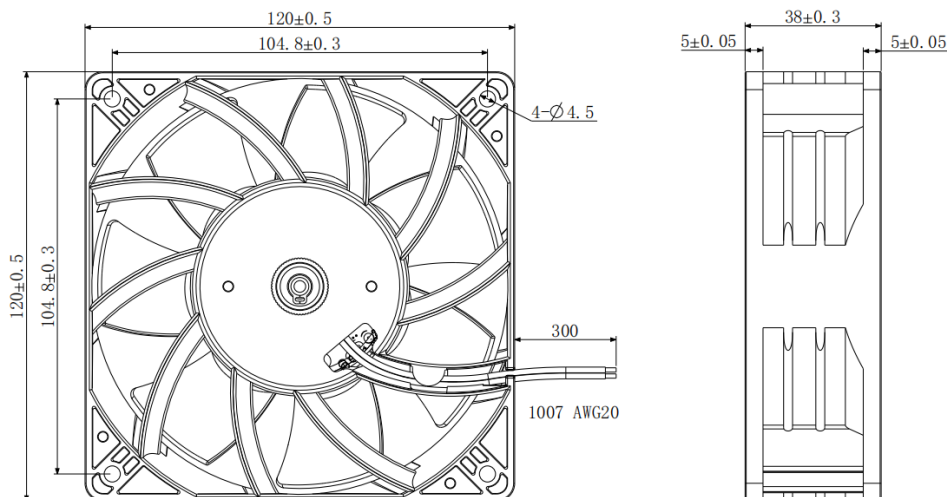
Sensor: 0=no,R=RD sensor ,F=FG sensor ,P=PWM sensor ,T=Temperature sensor

Bearing:S=sleeve bearing,B=ball bearing,Y=superflo bearing,L=long life bearing

120 X 120 X 38mm ( Mass:380g)

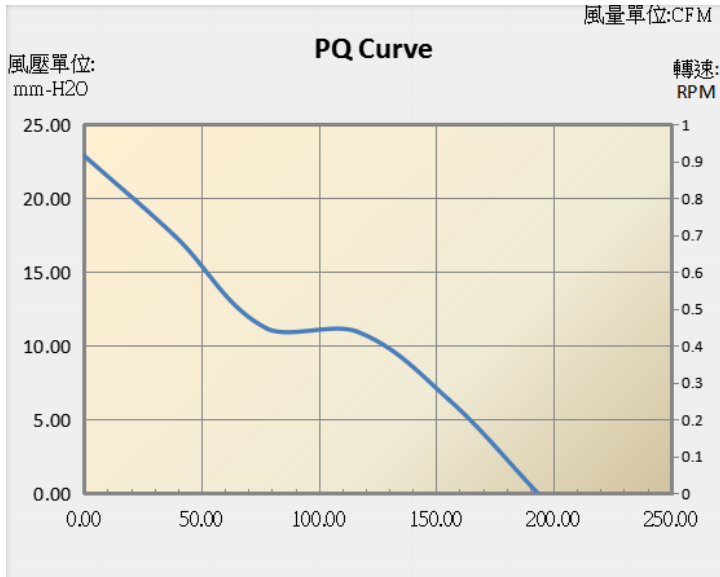
Model No.	Rated Voltage	Operating Voltage	Rated Current	Rated Input	Speed	Maximum Air Flow		Max.Static Pressure		Noise
	VDC	VDC	AMP	Watt	R.P.M	M3/min	CFM	MmH2O	IN H2O	dB-A
MG1212SHE-E	12	7.2-13.8	1.1	13.2	4100	5.394	190.48	22.88	0.901	56.5
MG1212EHE-E			1.9	22.8	4600	6.019	212.57	26.31	1.036	59.5
MG1212GHE-E			2.6	31.2	5200	6.823	240.96	34.56	1.361	63.0
MG1212UHE-E			3.4	40.8	5800	7.26	255.62	39.65	1.561	67.0
MG1224SHE-E	24	14.5~27.5	0.55	13.2	4100	5.394	190.48	22.88	0.901	56.5
MG1224EHE-E			0.95	22.8	4600	6.019	212.57	26.31	1.036	59.5
MG1224GHE-E			1.3	31.2	5200	6.823	240.96	34.56	1.361	63.0
MG1224UHE-E			1.7	40.8	5800	7.26	255.62	39.65	1.561	67.0
MG1248SHE-E	48	29.0~55.0	0.275	13.2	4100	5.394	190.48	22.88	0.901	56.5
MG1248EHE-E			0.475	22.8	4600	6.019	212.57	26.31	1.036	59.5
MG1248GHE-E			0.65	31.2	5200	6.823	240.96	34.56	1.361	63.0
MG1248UHE-E			0.85	40.8	5800	7.26	255.62	39.65	1.561	67.0

## ● Dimensions(unit:mm\inch)

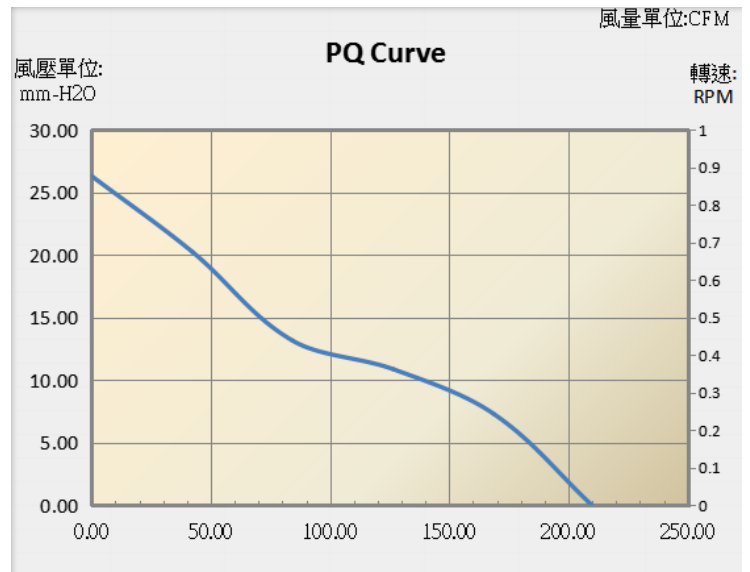


● Air Flow-Static Pressure Characteristics

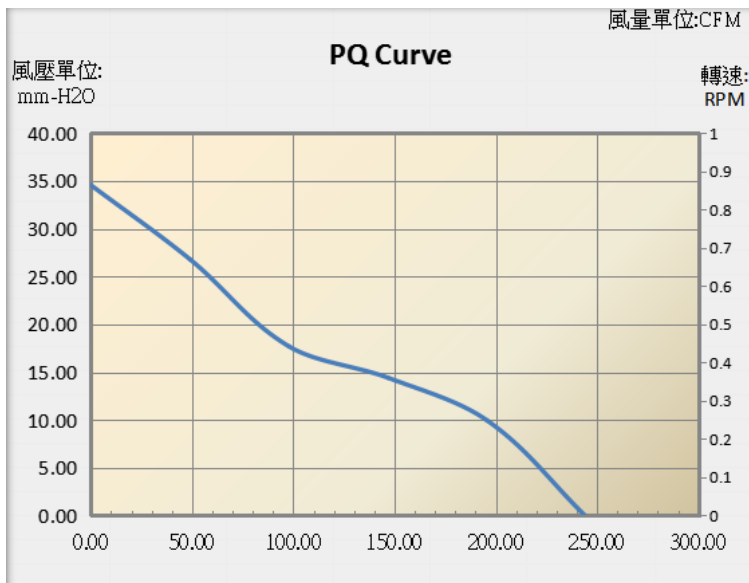
SHE-E-12/24/48V



EHE-E-12/24/48V



GHE-E-12/24/48V



UHE-E-12/24/48V

