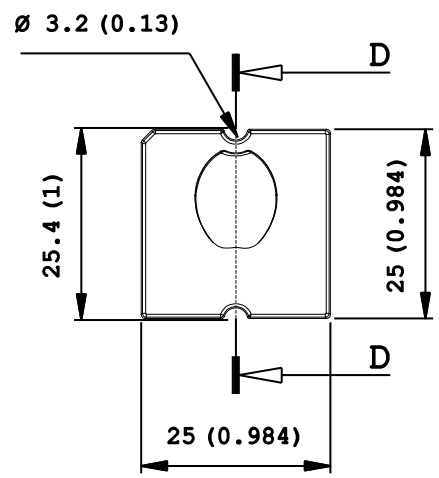
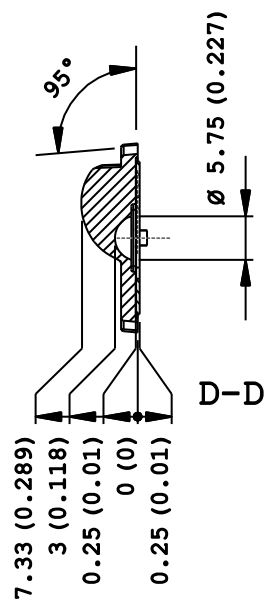
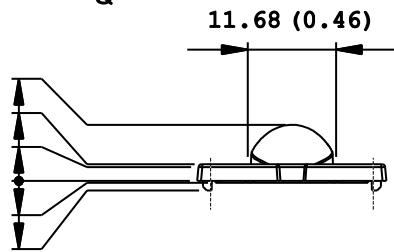


WITHOUT SELF ADHESIVE 7.44 (0.293)
 2.2 (0.087)
 1.84 (0.072)
 0 (0)
 SELF ADHESIVE 0.25 (0.01)
 1.25 (0.049)



- Note:**
- Dimensions in inches into brackets
 - For missing dimensions see 3D file
 - WHITE surfaces mirror polished
 - GREY surfaces embossed 21/23 VDI
 - RED surface available area for gate material
 - Gate removed by laser
 - Gate cutting tolerance +/-0.2mm from nominal dimension

'' Project and design owned by Khatod OPTOELECTRONIC s. r. l. ''
 The technical solutions adopted in this design are Khatod intellectual property, they cannot be reproduced and transmitted to third parties without our prior written permission.
 Unauthorized disclosure of confidential proprietary information will be prosecuted by law.

DESCRIPTION : LENS		DESIGNER : LM/LS	PROJECTS : Prog_TN
CODE : AS 229701 TN1 SA		CHECKED : LS	CONTROLLED : LS
DATE : 31/08/2021			
KHATOD Via Alessandrina, 25 Cusano Milanino MILANO ITALIA WWW.KHATOD.COM	All Dimensions in mm General Tolerances ISO 2768-m		HEAT TREATMENT: None
			MATERIAL: Pmma HT
SCALE : 1 : 1		SHEET : 1 of 1	