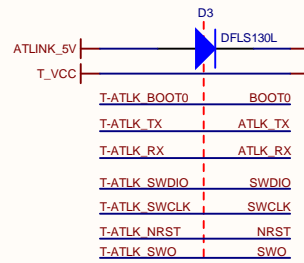
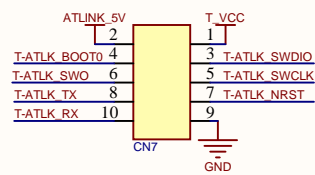
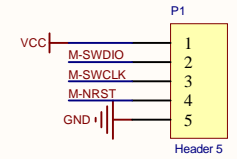


LD1-4:For AT-Link-EZ status



AT-Link EZ CN7 to AT-START CN2 connection



<b>Artery Technology Corp.</b>		
Project:	Title: AT-LINK EZ	
Date: 2020/11/18	Sheet: 1 of	Rev: V1.2

1

2

3

4

A

A

B

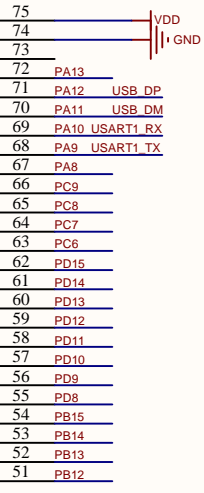
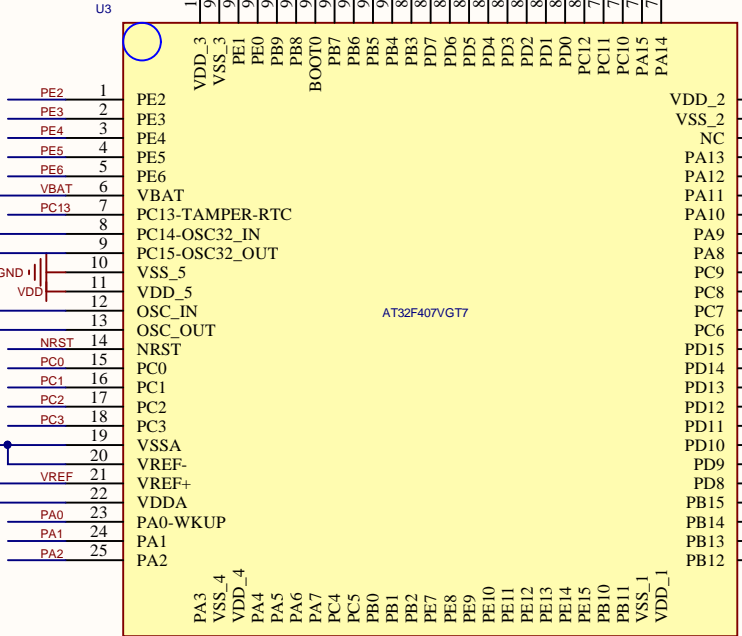
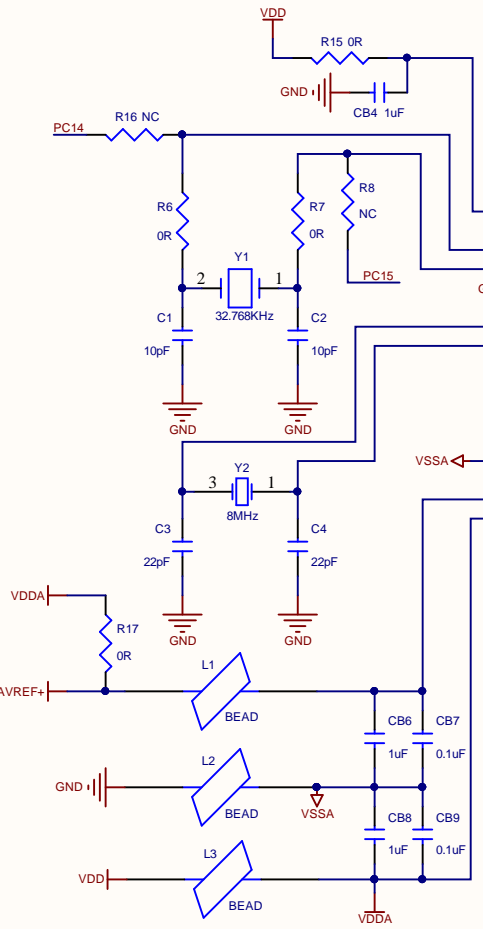
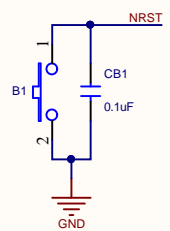
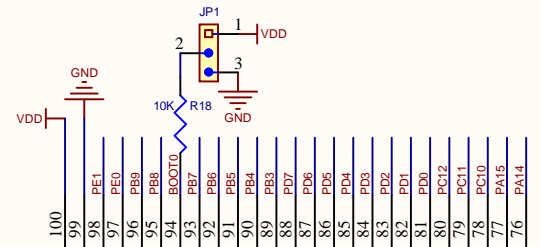
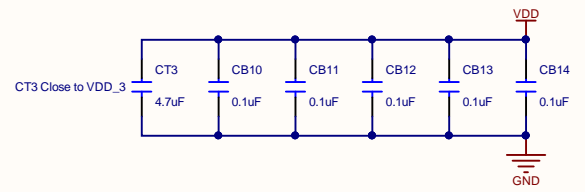
B

C

C

D

D



MCU

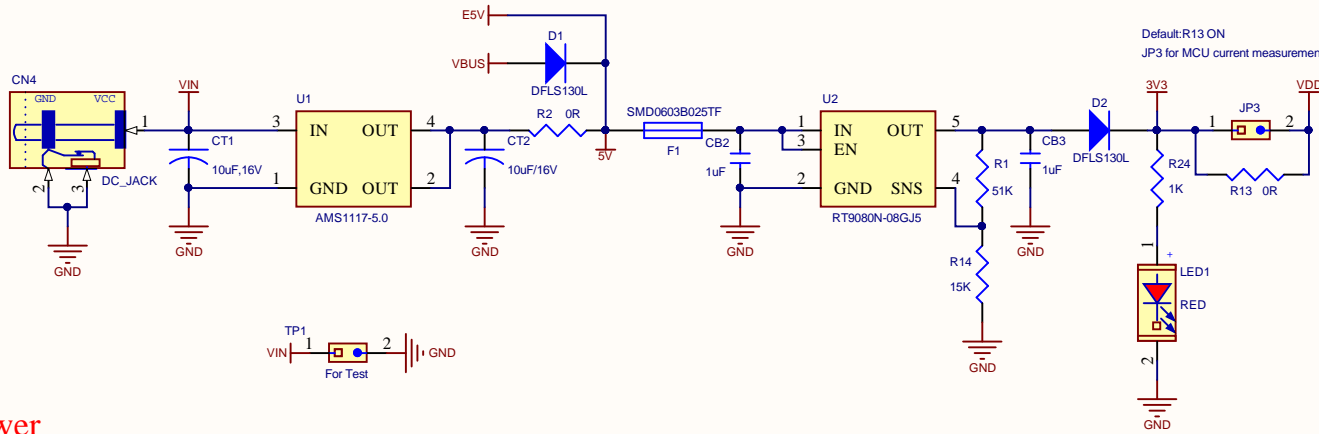
<b>Artery Technology Corp.</b>	
Project: AT-START-F407	Title: MCU
Date: 2020/11/20	Sheet: 2 of 5 Rev: V1.2

1

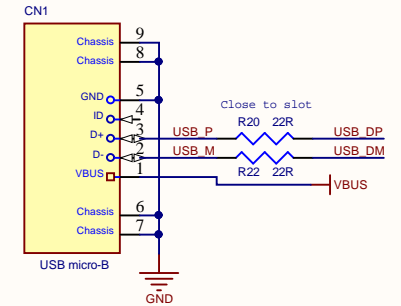
2

3

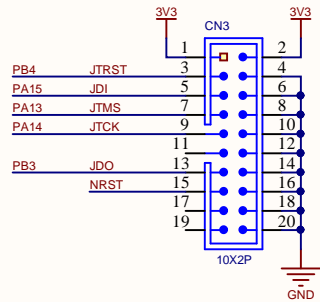
4



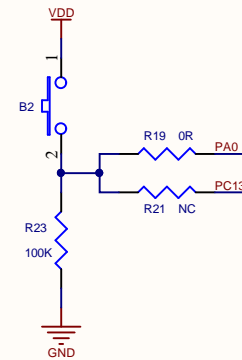
Power



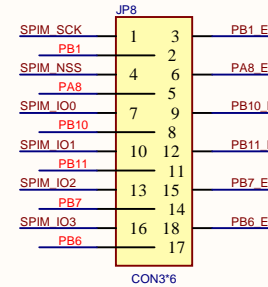
USB



20-pin ARM standard JTAG

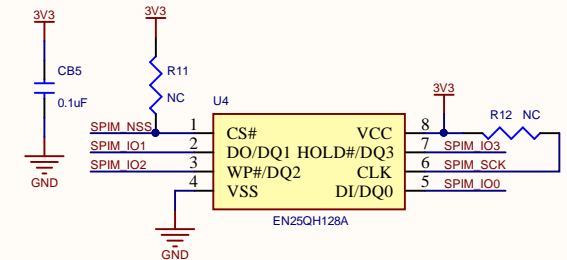


User key

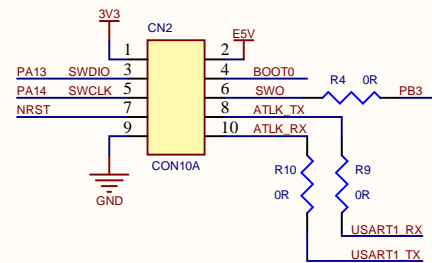


GPIO/SPIM selection

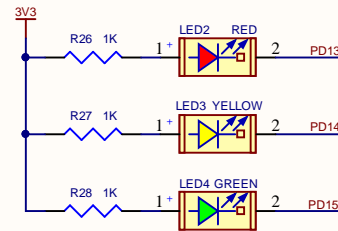
SPIM



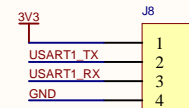
Test points



AT-Link connector



LEDs

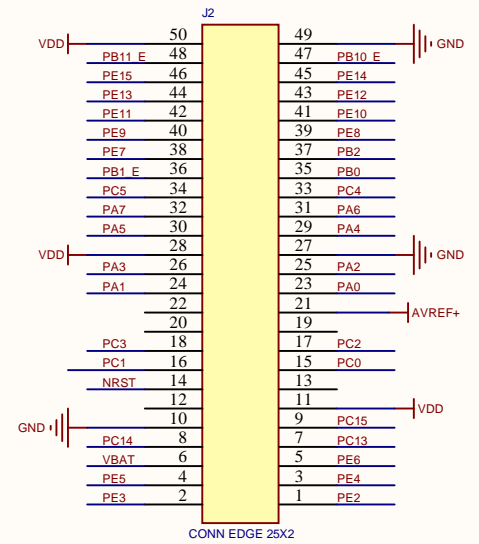
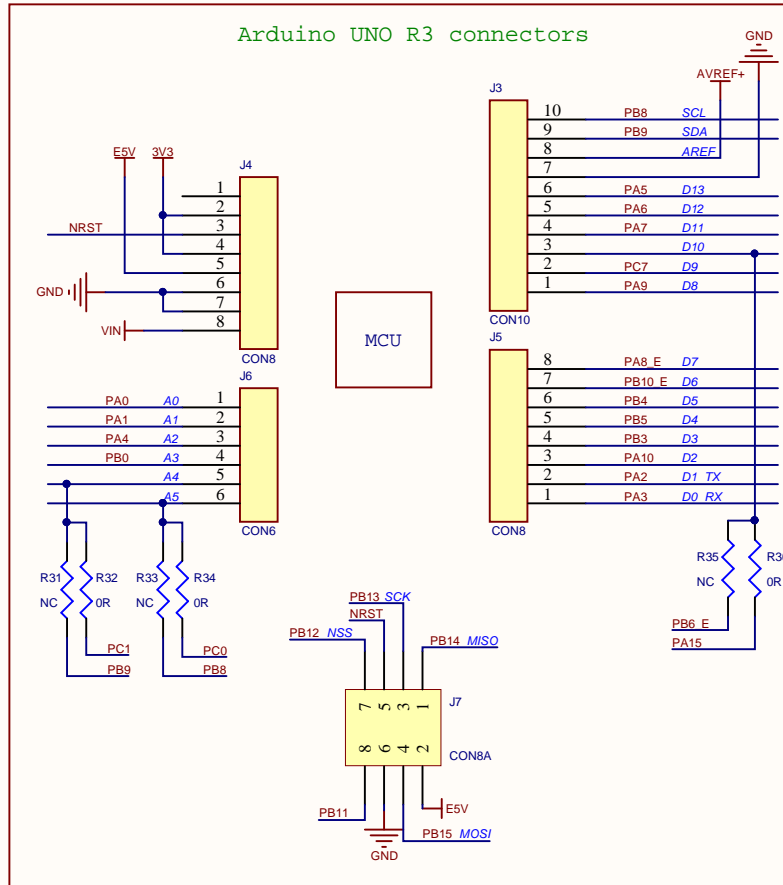
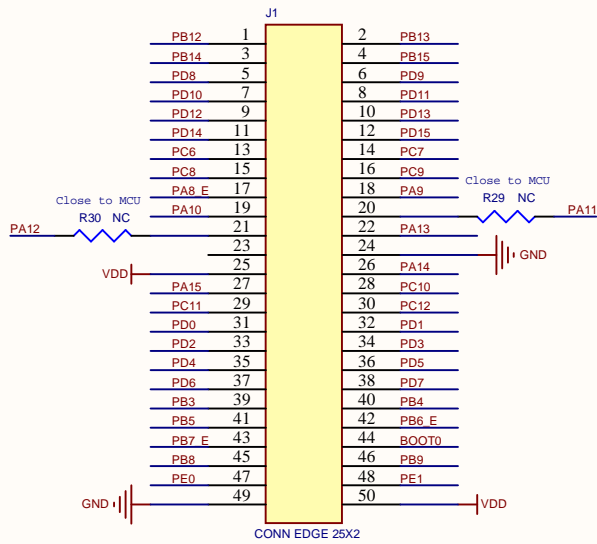


USART1 for ISP

Artery Technology Corp.

Project: AT-START-F407	Title: Power & Peripherals	
Date: 2020/11/20	Sheet: 3 of 5	Rev: V1.2

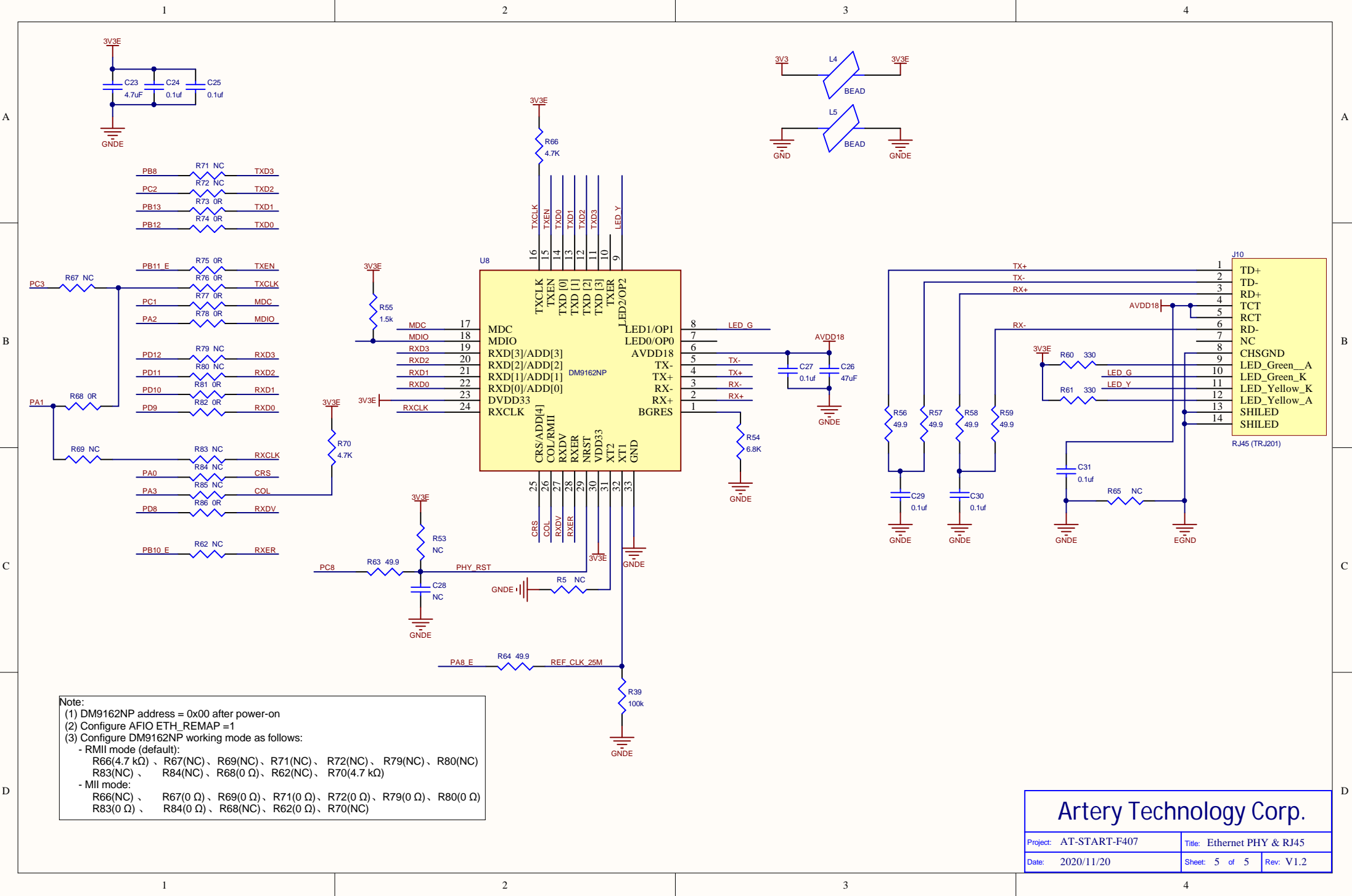
### Arduino UNO R3 connectors



Extension connectors

## Artery Technology Corp.

Project: AT-START-F407	Title: Extension connectors	
Date: 2020/11/20	Sheet: 4 of 5	Rev: V1.2



Note:  
 (1) DM9162NP address = 0x00 after power-on  
 (2) Configure AFIO\_ETH\_REMAP = 1  
 (3) Configure DM9162NP working mode as follows:  
 - RMI mode (default):  
 R66(4.7 kΩ) 、 R67(NC) 、 R69(NC) 、 R71(NC) 、 R72(NC) 、 R79(NC) 、 R80(NC)  
 R83(NC) 、 R84(NC) 、 R68(0 Ω) 、 R62(NC) 、 R70(4.7 kΩ)  
 - Mill mode:  
 R66(NC) 、 R67(0 Ω) 、 R69(0 Ω) 、 R71(0 Ω) 、 R72(0 Ω) 、 R79(0 Ω) 、 R80(0 Ω)  
 R83(0 Ω) 、 R84(0 Ω) 、 R68(NC) 、 R62(0 Ω) 、 R70(NC)

<b>Artery Technology Corp.</b>	
Project: AT-START-F407	Title: Ethernet PHY & RJ45
Date: 2020/11/20	Sheet: 5 of 5 Rev: V1.2