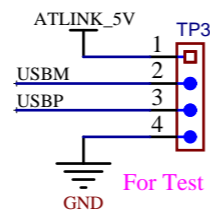
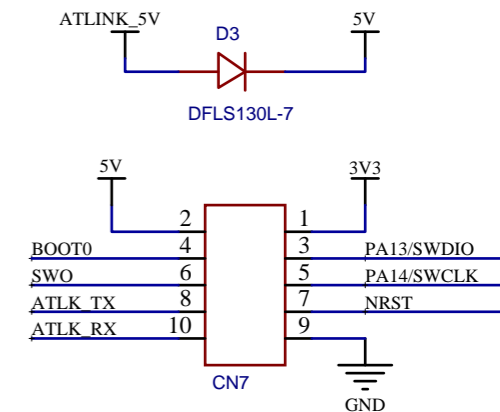
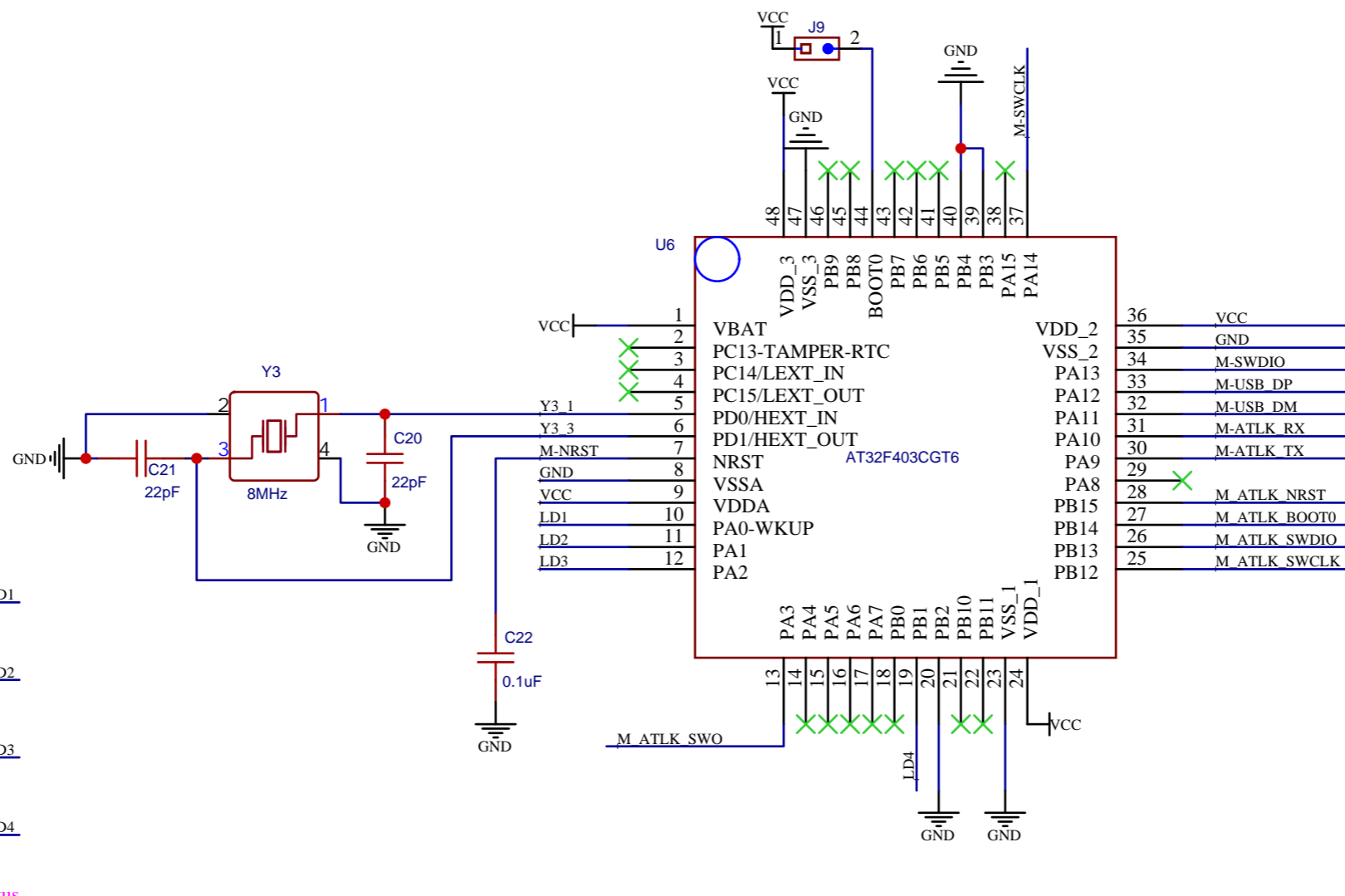
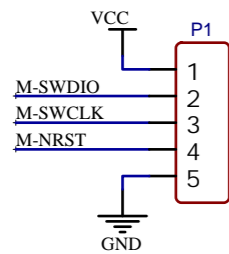
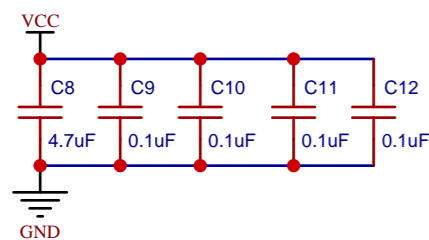
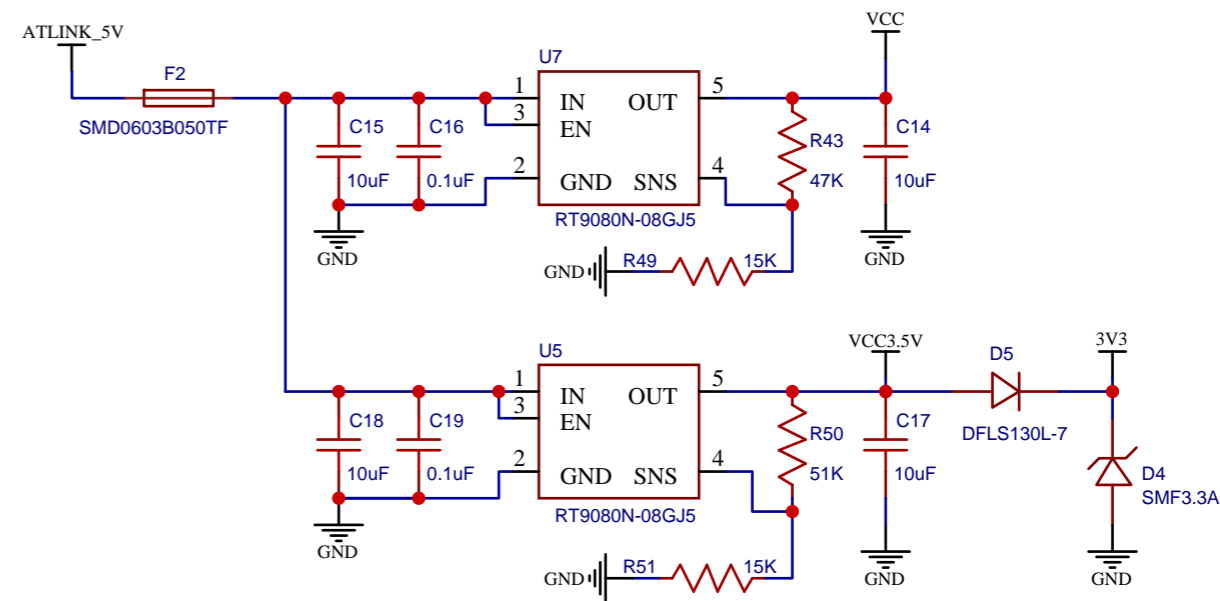


AT-Link USB



AT-Link power supply

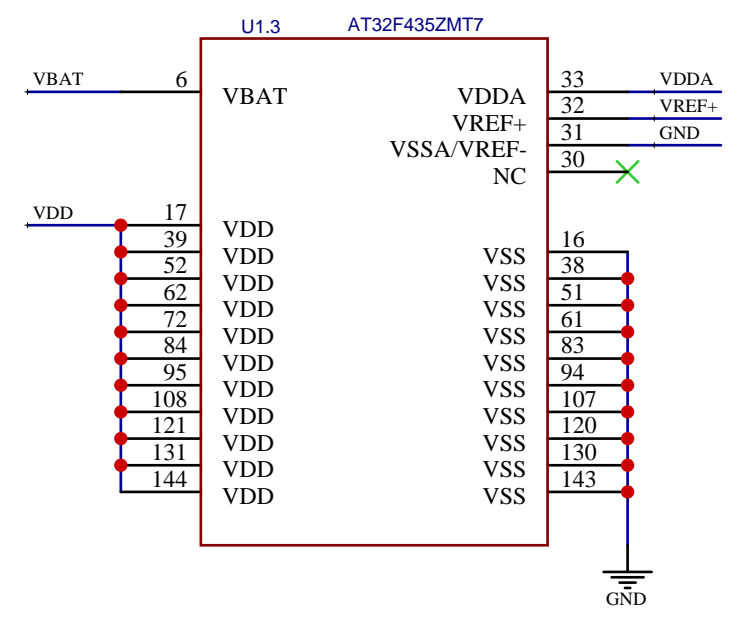
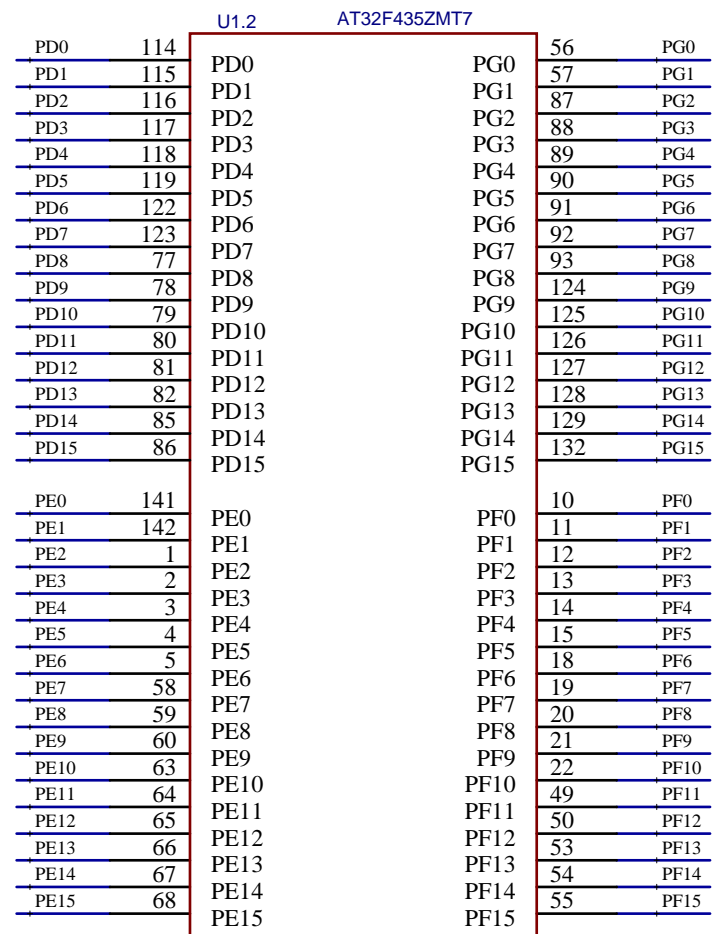
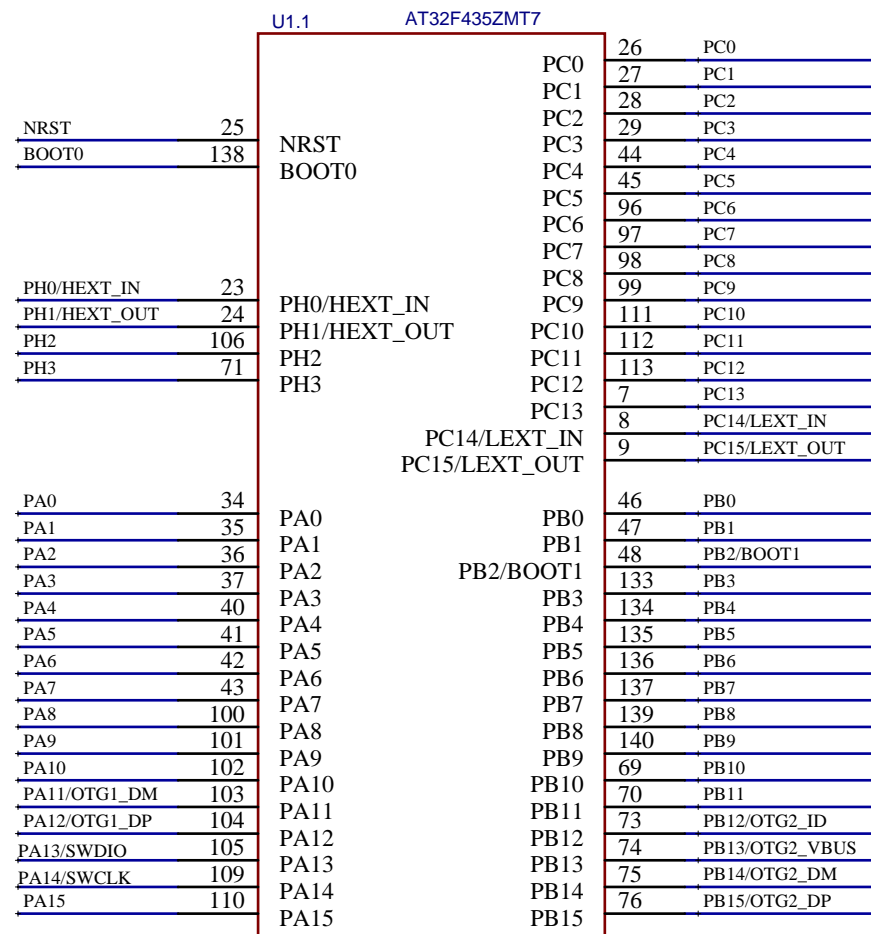


LD1-4:For AT-Link-EZ status

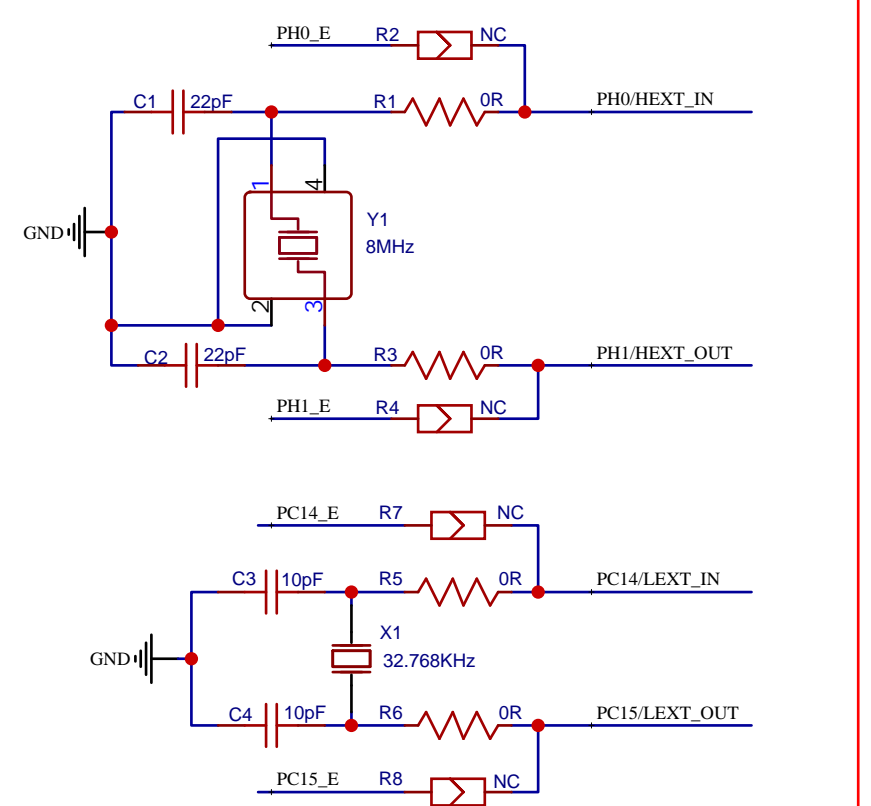
AT-Link MCU

TITLE:	AT-Link-EZ	REV: 1.2
Company:	Artery Technology	Sheet: 1
Date:	2021-11-20	Drawn By:

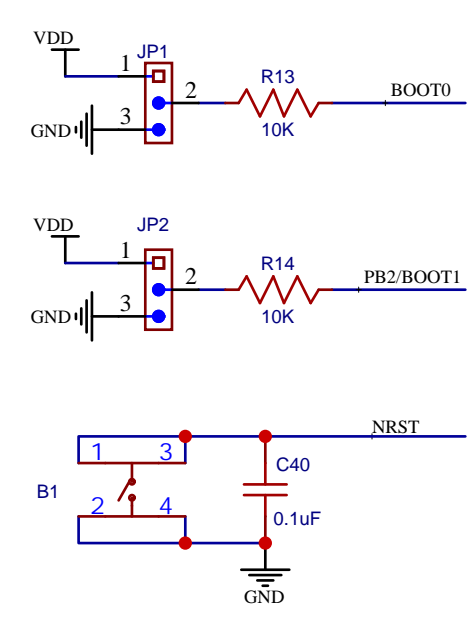




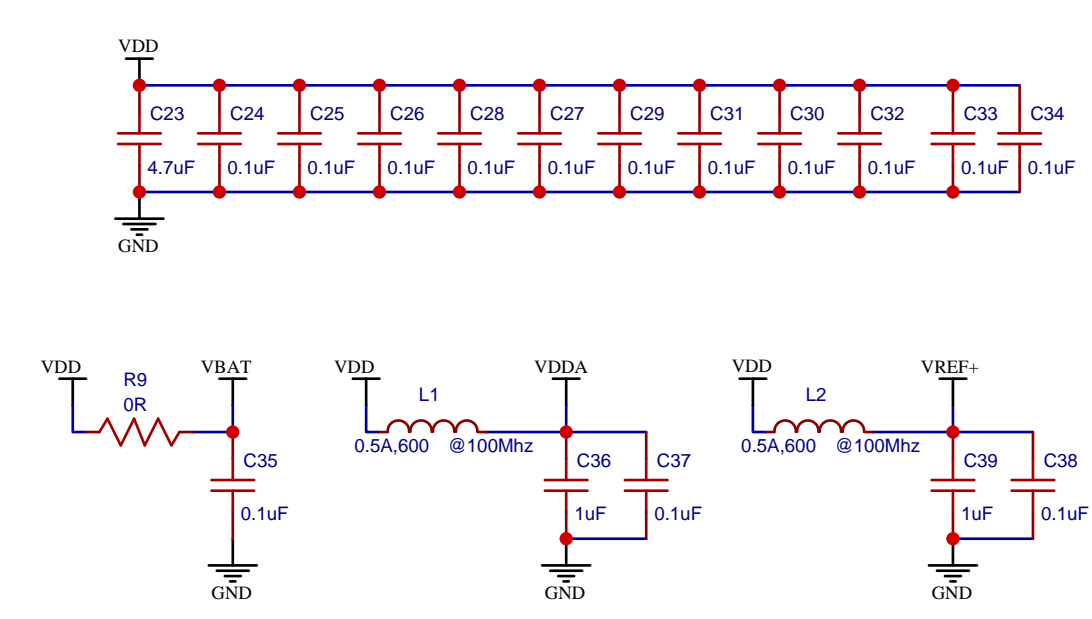
MCU



Crystal



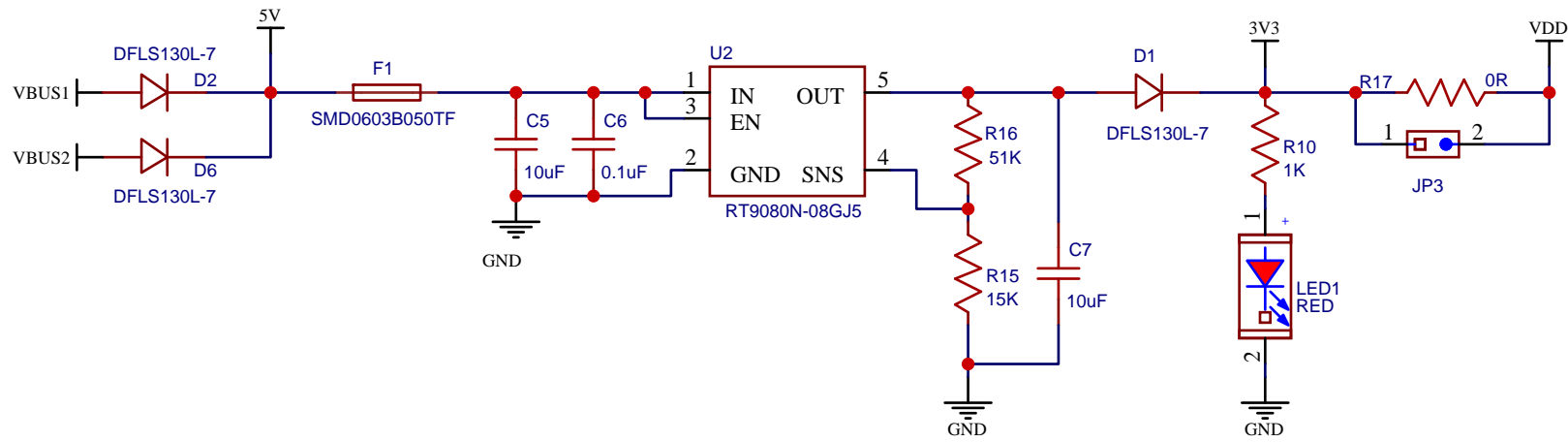
Boot & Reset



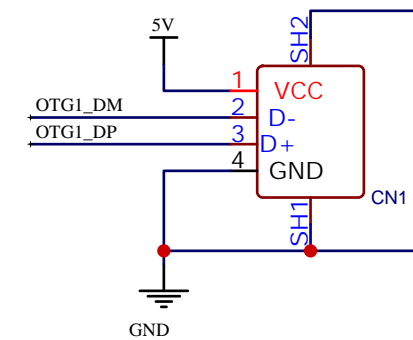
MCU power supply

TITLE:	MCU	REV:	1.0
Company:	Artery Technology	Sheet:	2
Date:	2021-11-20	Drawn By:	

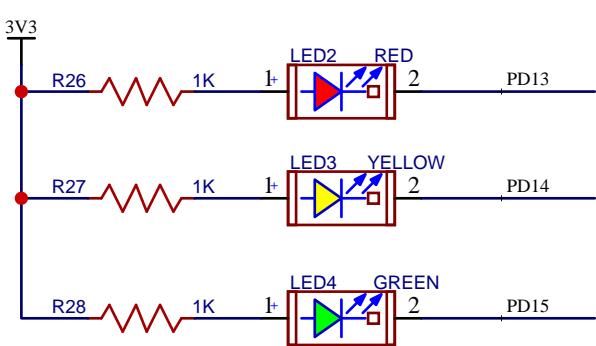




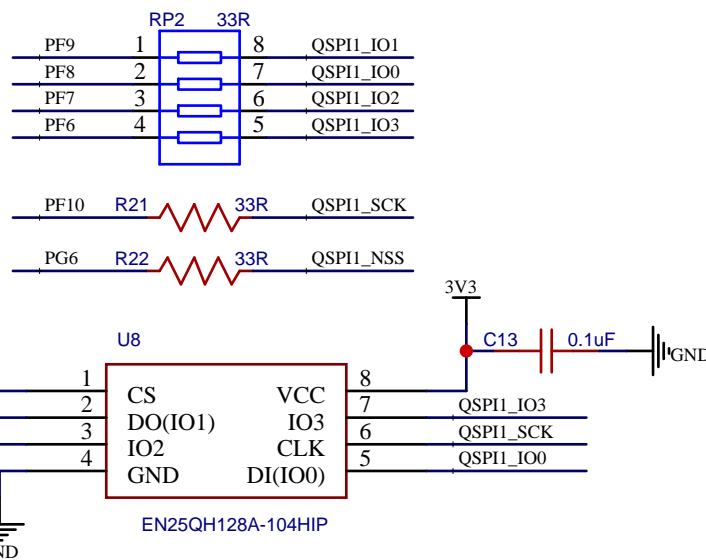
AT-START power supply



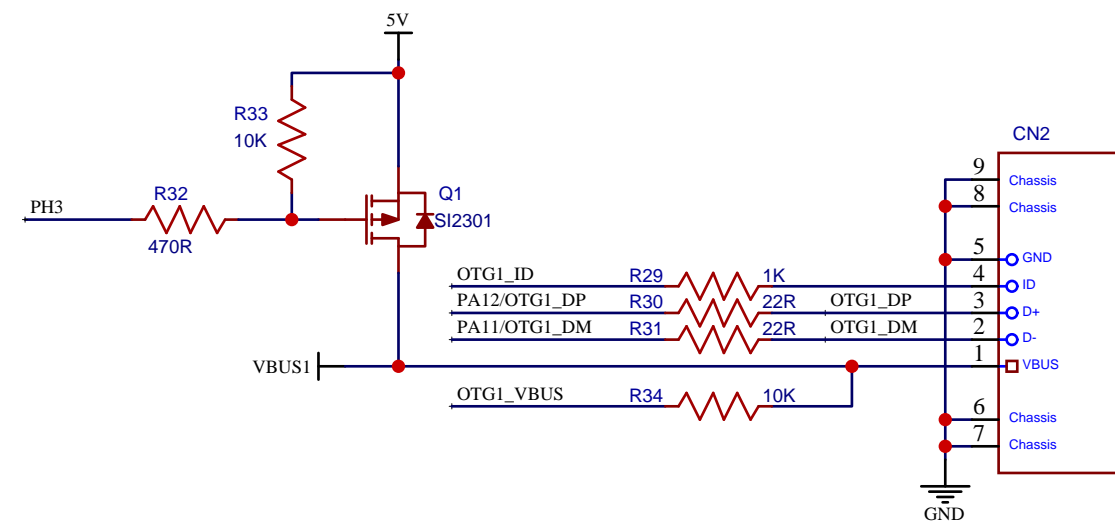
OTG1\_host



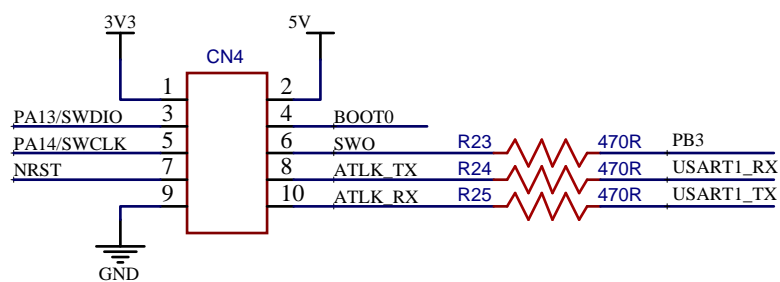
LED



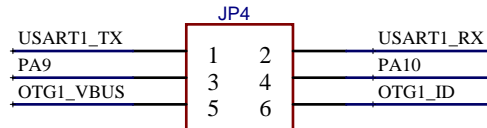
QSPI flash



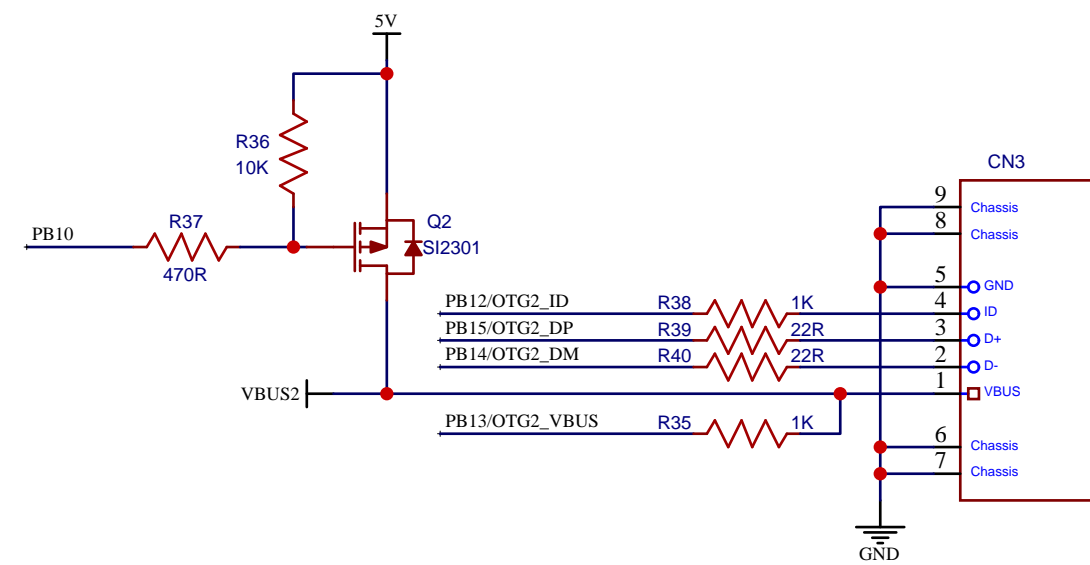
OTG1



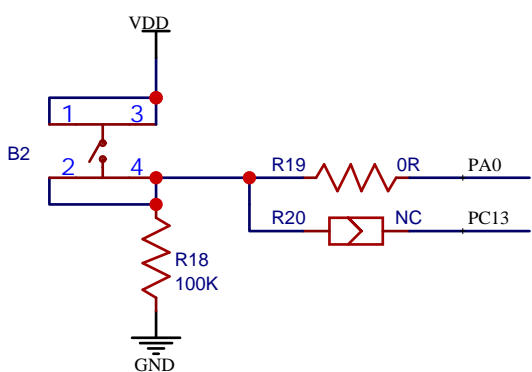
AT-Link connector



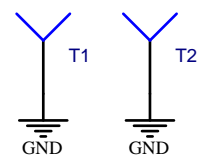
USART1 / OTG1 selection



OTG2

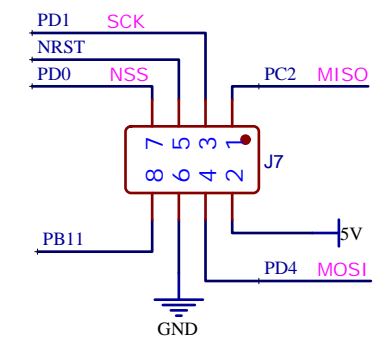
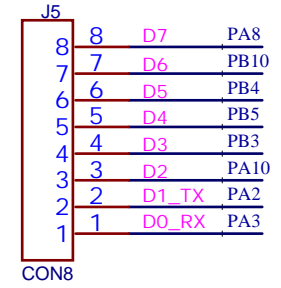
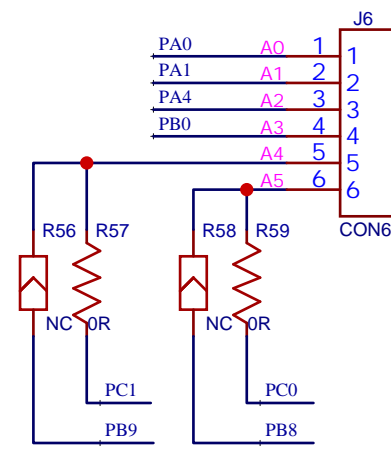
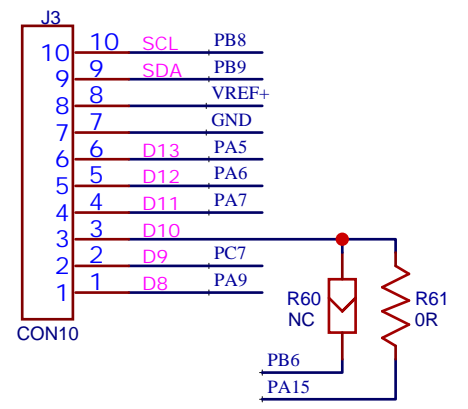
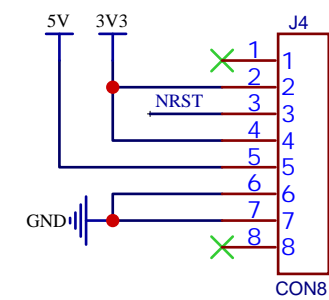
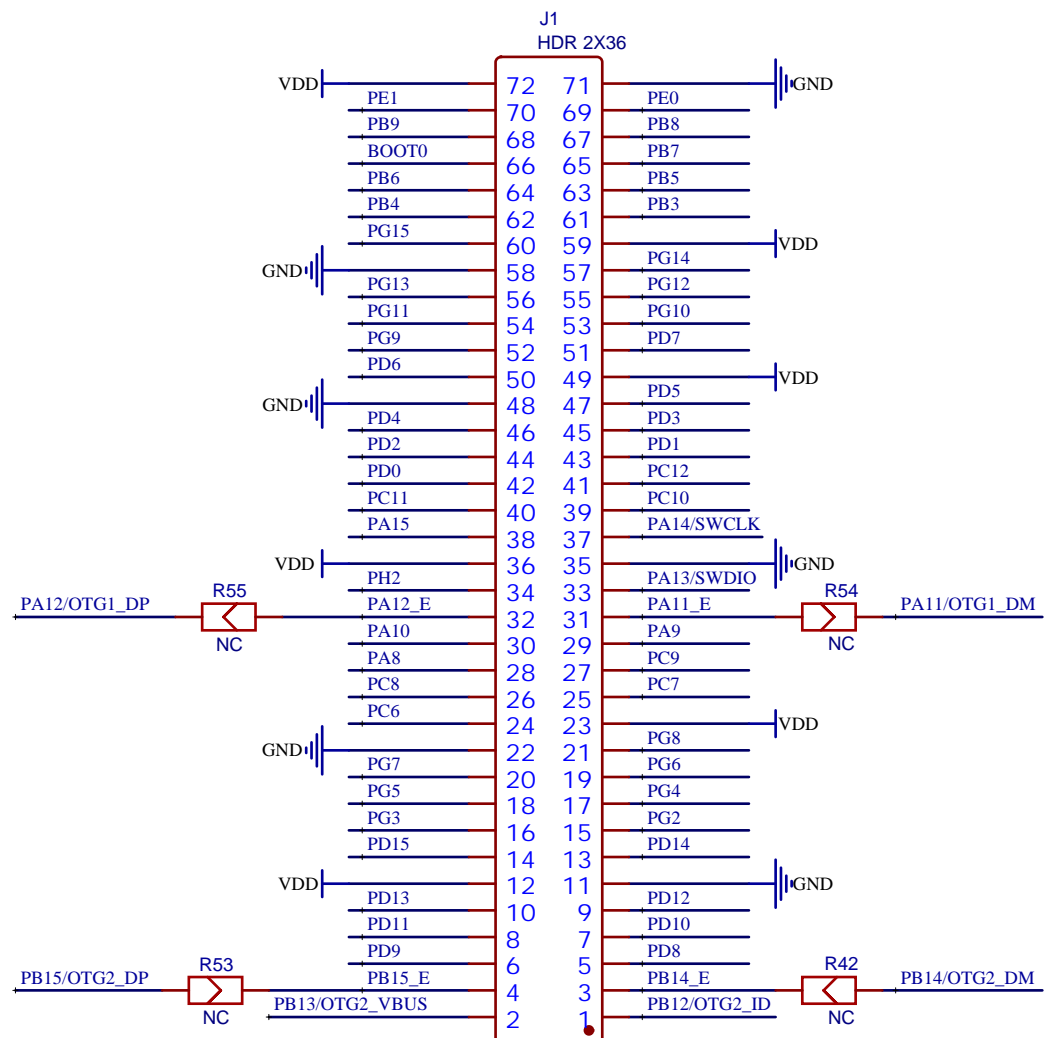
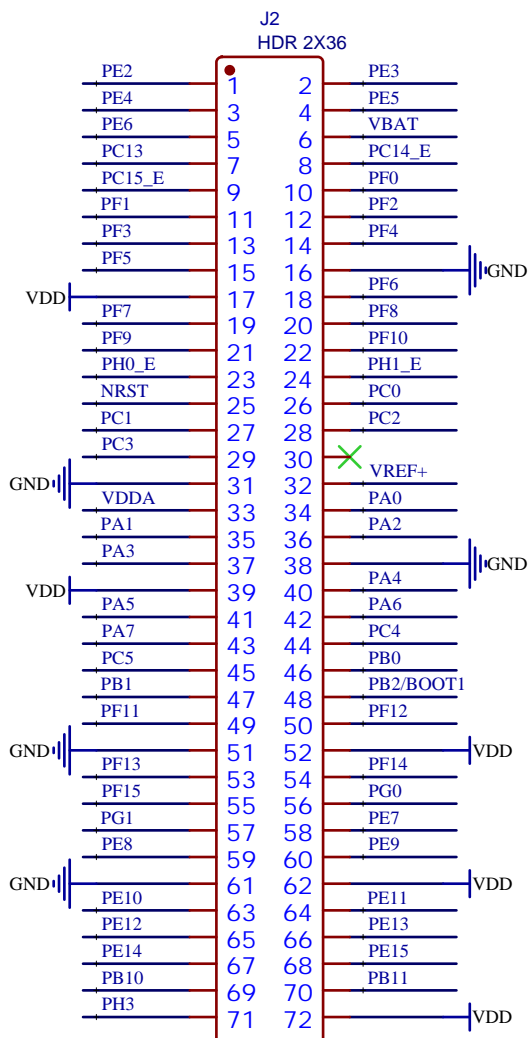


User key



Test point





Arduino UNO R3 connectors

TITLE: Extension connector		REV: 1.0
	Company: Artery Technology	Sheet: 4
	Date: 2021-11-20	Drawn By: