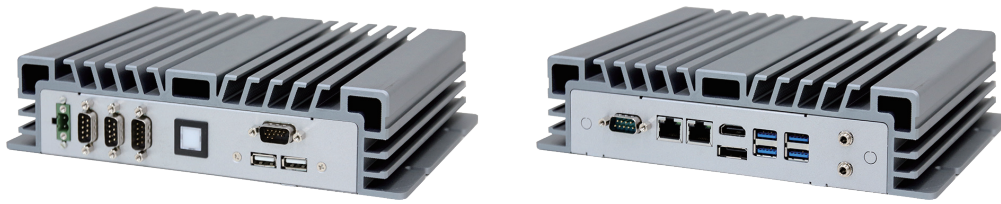


BPC-3072

Fanless Embedded Box PC with 7th Generation Intel® Core™ i5 / i3 Kabylake-U Processor



Key Features

- 7th Generation Intel® Core™ i5 Quad-core up to 3.1 GHz
- Up to 4 Gigabit Ethernet Ports
- Dual Independent Display Outputs, Supporting 4K Resolution
- Supports 8-bit GPIO
- 1x mini-PCIe (for WLAN Module) and 2x M.2 Expansion Slots

Applications

- Embedded Digital Signage Control Systems
- Factory Automation
- Image Processing
- Gaming and Entertainment Industries
- Machine Automation

→ Ordering Information

Part No.	Description
BPC-3072-1A1	Intel® Core® i5-7200U 3.1 GHz Dual-core CPU, 4x USB3.0, 2x USB2.0, 3x RS-232, 1x RS-232/422/485, 2x GbE, 1x DP, 1x HDMI, 8-bit GPIO, Line Out, Mic In, DC 9~36V, Phoenix Connector
BPC-3072-2A1	Intel® Core® i5-7200U 3.1 GHz Dual-core CPU, 4x USB3.0, 2x USB2.0, 1x RS-232, 1x RS-232/422/485, 4x GbE, 1x DP, 1x HDMI, 8-bit GPIO, Line Out, Mic In, DC 9~36V, Phoenix Connector
BPC-3072-3A1	Intel® Core® i3-7100U 2.4 GHz Dual-core CPU, 4x USB3.0, 2x USB2.0, 3x RS-232, 1x RS-232/422/485, 2x GbE, 1x DP, 1x HDMI, 8-bit GPIO, Line Out, Mic In, DC 9~36V, Phoenix Connector

→ Packing List

Description
1 x BPC-3072
1 x Power Adaptor
1 x Power Cord

→ Optional Items

Part No.	Description
AWD-4G003	4G(LTE) EG25-G + 2 Antennas, Full Size (for Global)
AWD-WF001	Wi-Fi 802.11 b/g/n (1T1R) + 1 Antenna, Half Size
AWD-WF003	Wi-Fi 802.11 a/b/g/n/ac/BT4.0 (2T2R) + 2 Antennas (Dual Band), Half Size
AWD-WF004	Wi-Fi 802.11 b/g/n + BT4.0 (1T1R) + 2 Antennas (Single Band), M.2 2230 Type
AWD-WF005	Wi-Fi 802.11 a/b/g/n/ac/BT4.0 (2T2R) + 2 Antennas (Dual Band), M.2 2230 Type

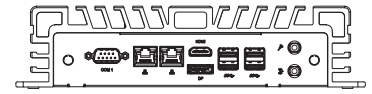
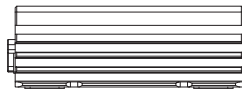
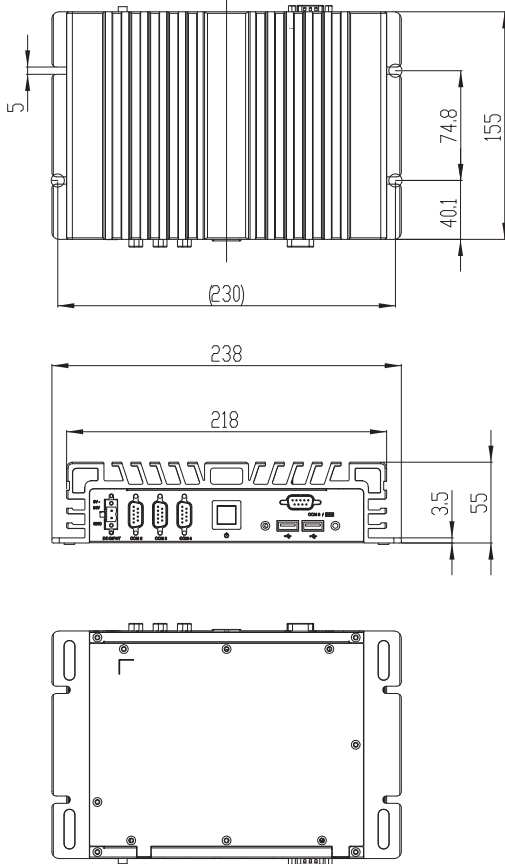
→ Specifications

Model		BPC-3072-1A1	BPC-3072-2A1	BPC-3072-3A1
Processor System	CPU	Intel® Core® i5-7200U		Intel® Core® i3-7100U
	Frequency	Dual-core up to 3.1 GHz		Dual-core up to 2.4 GHz
	System Chipset	N/A		
	Cache	3 GB		
	BIOS	UEFI		
Memory	Technology	Dual Channel DDR4 2133 MHz SDRAM		
	Max. Capacity	32 GB		
	Type	2x 260-pin SO-DIMM		
Display	Graphics Engine	Intel® HD Graphics 620		
	HDMI	1x HDMI 2.0, up to 4096 x 2160 @ 60 Hz		
	DP	1x DP, up to 4096 x 2160 @ 60 Hz		
	VGA	N/A		
	DVI	N/A		
Front I/O Interface	USB	2x USB 2.0		
	Serial Port	3x RS 232	1x RS 232	3x RS 232
	Ethernet	N/A	2x GbE (Intel® i210)	N/A
	Audio	N/A		
	GPIO / DIO	1x 8-bit GPIO (DB-15)		
	Antenna Hole	2		
	Others	N/A		
Rear I/O Interface	USB	4x USB 3.0		
	Serial Port	1x RS232/422/485		
	Ethernet	2x GbE (LAN 1: Intel® i219V, LAN 2: Intel® i211AT)	2x GbE (LAN 1: Intel® i219V, LAN 2: Intel® i211AT)	2x GbE (LAN 1: Intel® i219V, LAN 2: Intel® i211AT)
	Audio	Line Out, Mic In (Realtek ALC269)		
	GPIO / DIO	N/A		
	Antenna Hole	N/A		
	Others	N/A		
Storage	2.5" HDD / SSD	1x SATA III (6.0 Gb/s)		
	M.2	1x M.2 2280 M Key (PCIe x4, SATA III)		
	mSATA	N/A		
	RAID	N/A		
Expansion	Mini PCIe	1x Full Size (PCIe x 1, USB2.0)	N/A	1x Full Size (PCIe x 1, USB2.0)
	M.2	1x M.2 2230 E Key		
	PCI / PCIe	N/A		
	SIM Holder	1	N/A	1
Power	Power Mode	AT / ATX		
	Power Supply Voltage	9-36V DC Input		
	Power Connector Type	Phoenix Connector		
	Power Consumption (Typical)	1.1 A @ 12 V (13.2 W)	1.20A @ 12V (14.4 W)	1.1 A @ 12 V (13.2 W)
Mounting	Type	Wall Mount		
Environment	Operating Temperature	-20~60° C (-4~140° F) w/ Extend Temp. RAM & Extend Temp. 2.5" SSD (Humidity: 60° C @ 80% RH Non-condensing)		
	Storage Temperature	-40~85° C (-40~185° F)		
	Humidity	5~95% @ 40° C, Non-condensing		
	Vibration	1 Grms, IEC 60068-2-64, Random, 5~500 Hz, 1 Oct/min., 1hr/axis, x, y, z 3 axes		
	Shock	20 G, IEC 60068-2-27, Half Sine, 11 ms Duration		
General	Certification	CE, FCC Class A		
	Thermal Dissipation	Fanless		
	Material	Extruded Aluminum		
	Dimensions (W x H x D)	238 x 55 x 155 mm (9.37" x 2.16" x 6.1")		
	Net Weight	1.77 kg (3.90 lb)	1.97 kg (4.34 lb)	1.77 kg (3.90 lb)
	Operating System	Windows 10 (IoT/Professional), Linux		

BPC-3072

→ Dimensions

BPC-3072-1A1, BPC-3072-3A1



BPC-3072-2A1

