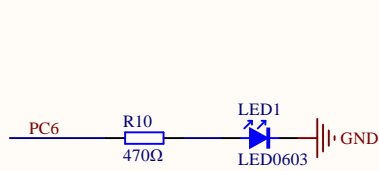
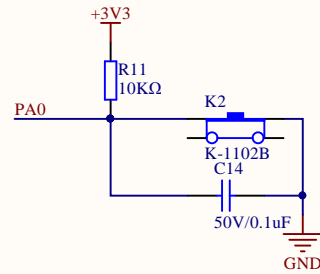


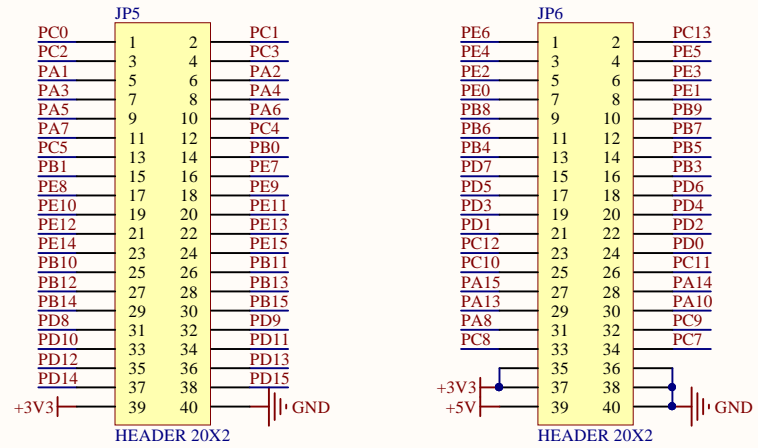
LED



KEY

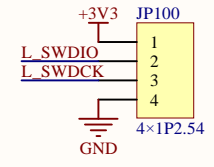


Extension Pin

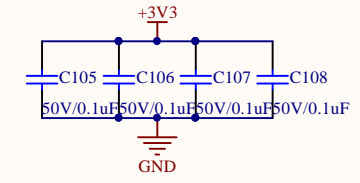
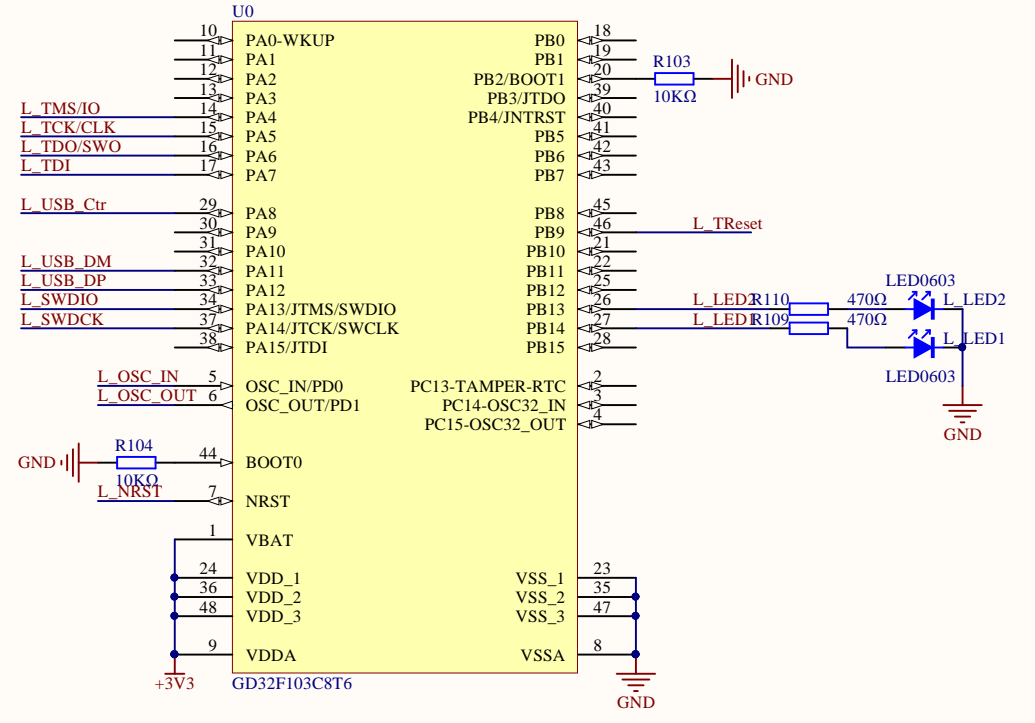
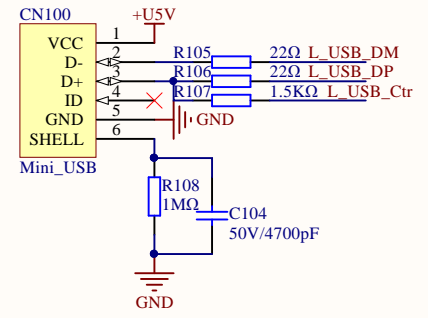
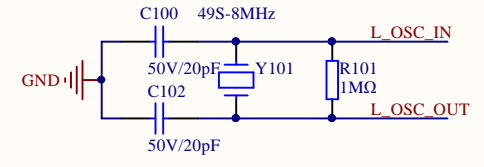
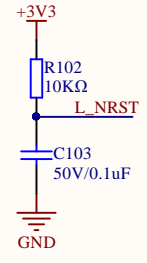


Company Name: GigaDevice		
File Name: Extension		
Revision: 1.0	Data: 2020-8	Author: XuFei

MCU SWD



Reset



Company Name: GigaDevice		
File Name: GDLink		
Revision: 1.0	Data: 2020-7	Author: XuFei

A

A

B

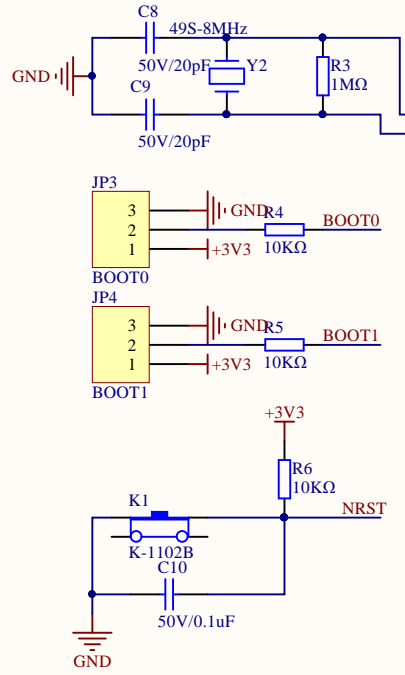
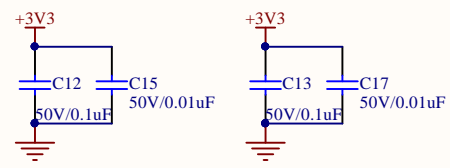
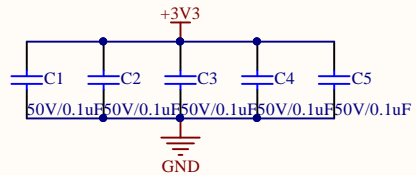
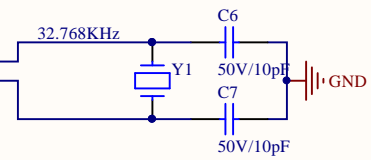
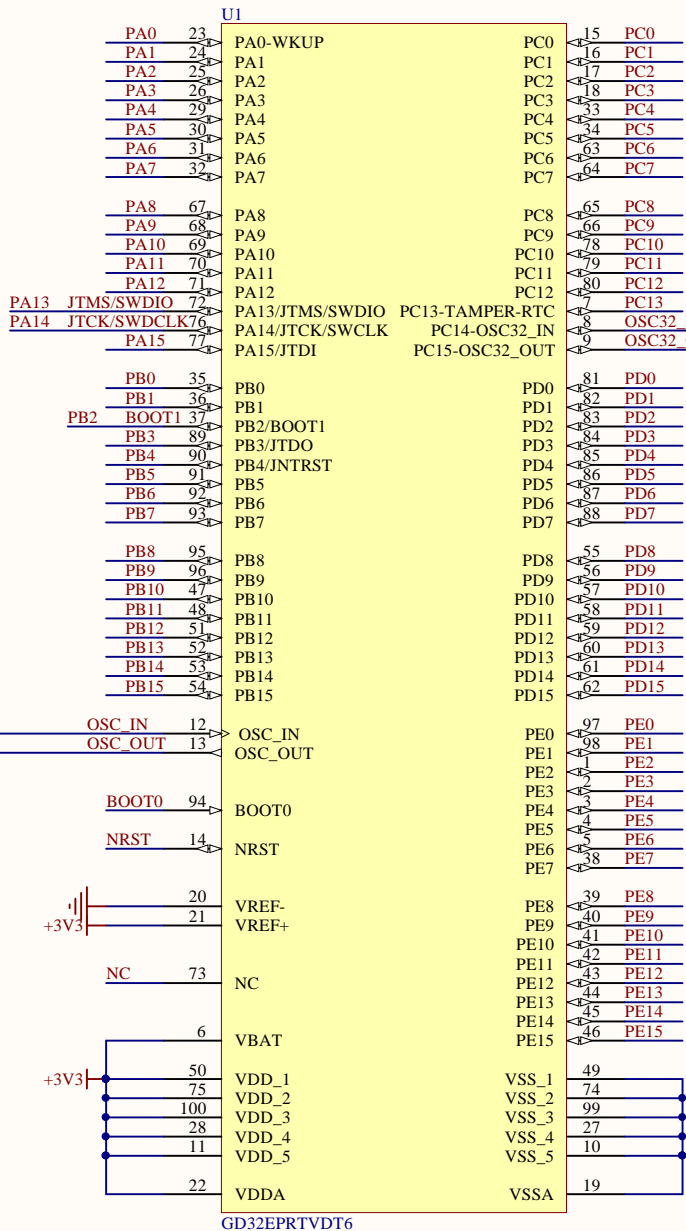
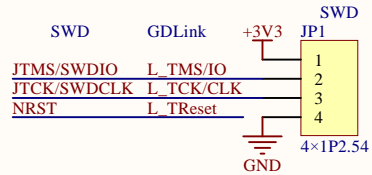
B

C

C

D

D



Company Name: GigaDevice		
File Name: MCU		
Revision: 1.0	Data: 2020-8	Author: XuFei

1

2

3

4

A

A

B

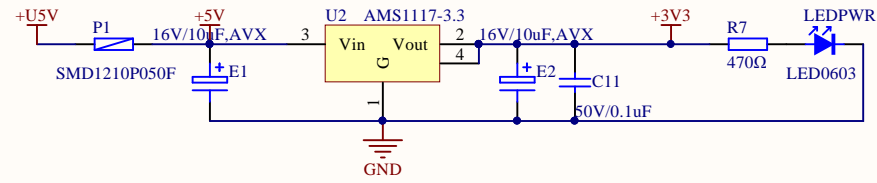
B

C

C

D

D



Company Name: GigaDevice

File Name: Power

Revision: 1.0

Data: 2020-7

Author: XuFei

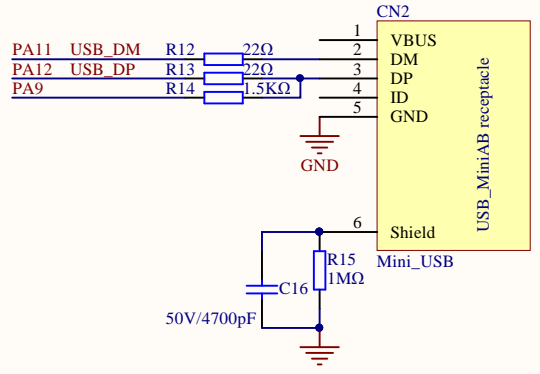
1

2

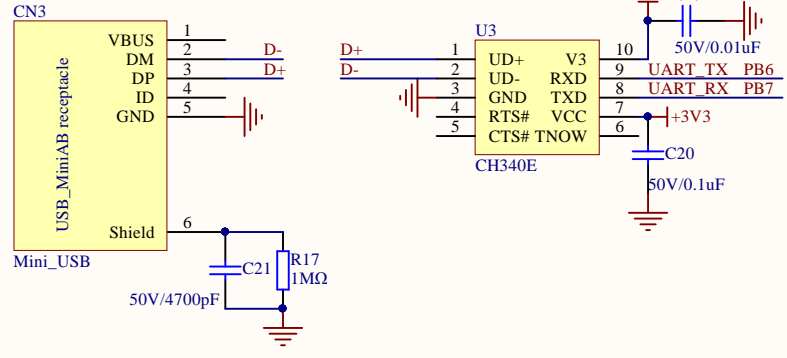
3

4

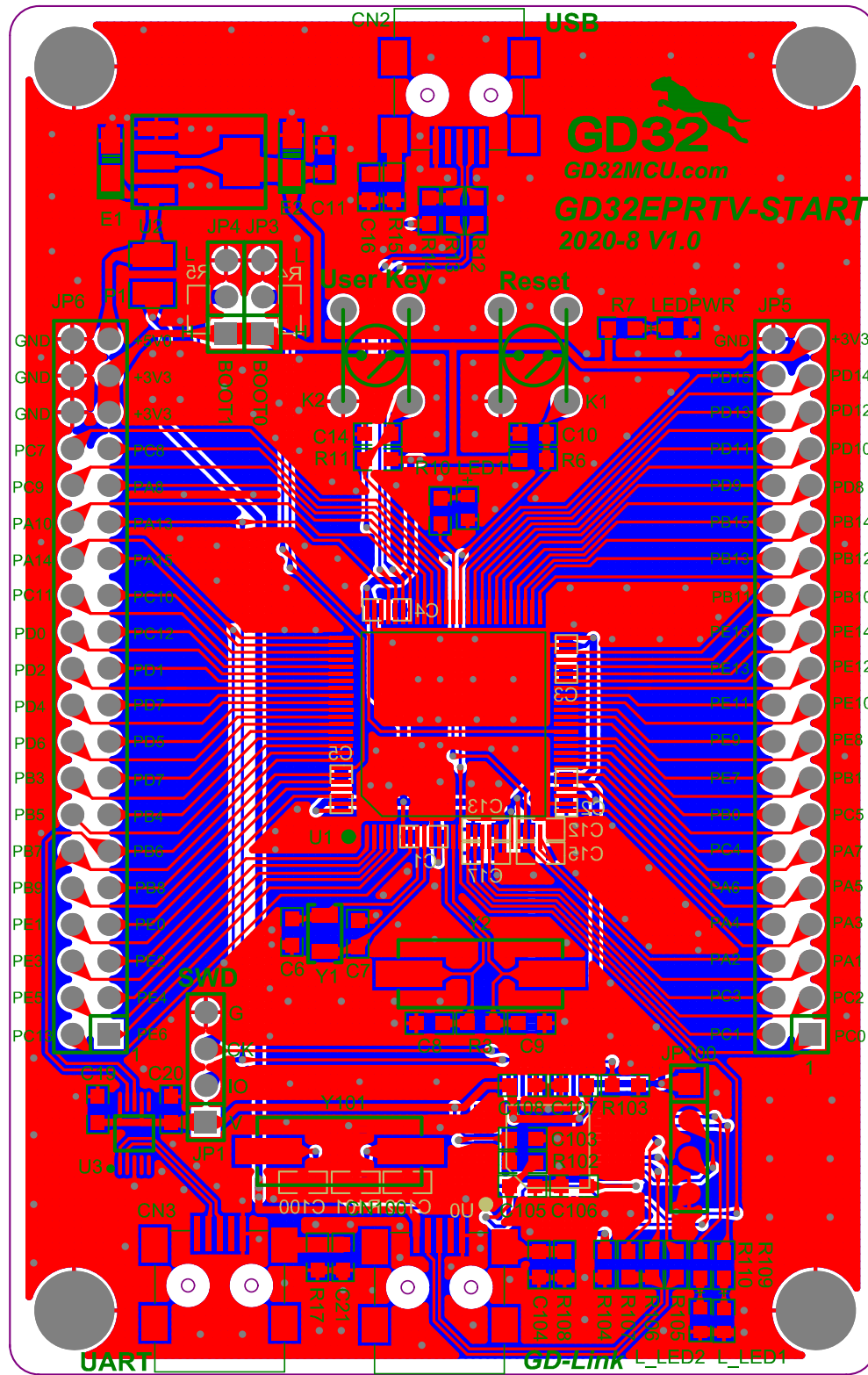
USB



USART To USB



Company Name: GigaDevice		
File Name: USB		
Revision: 1.0	Data: 2020-8	Author: XuFei



GD32
GD32MCU.com
GD32EPRTV-START
2020-8 V1.0

UART

GD-Link L_LED2 L_LED1