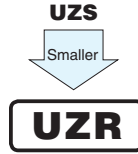


ALUMINUM ELECTROLYTIC CAPACITORS

UZR 3.95mmL MAX. Chip Type

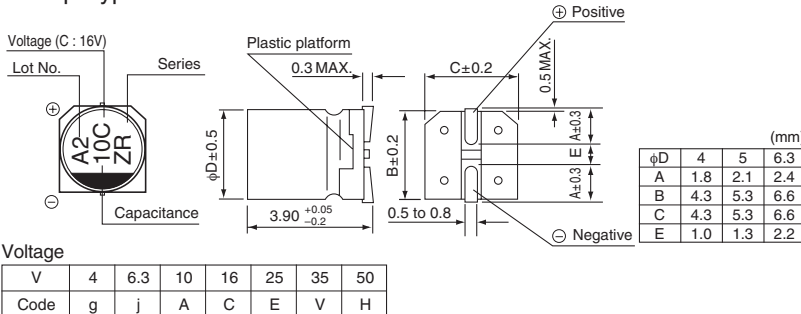


- Chip type with 3.95mmLMAX height.
- Designed for surface mounting on high density PC board.
- Applicable to automatic mounting machine fed with carrier tape.
- Compliant to the RoHS directive (2011/65/EU,(EU)2015/863).
- AEC-Q200 compliant. Please contact us for details.

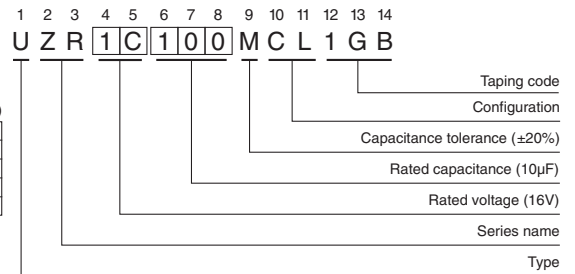
Specifications

Item	Performance Characteristics									
Category Temperature Range	-40 to +85°C									
Rated Voltage Range	4 to 50V									
Rated Capacitance Range	1 to 220μF									
Capacitance Tolerance	±20% at 120Hz, 20°C									
Leakage Current	After 2 minutes' application of rated voltage at 20°C, leakage current is not more than 0.01 CV or 3 (μA) , whichever is greater.									
Tangent of loss angle (tan δ)	Rated voltage (V)	4	6.3	10	16	25	35	50	120Hz 20°C	
	tan δ (MAX.)	0.50	0.30	0.24	0.19	0.16	0.14	0.14		
Stability at Low Temperature	Rated voltage (V)	4	6.3	10	16	25	35	50	120Hz	
	Impedance ratio Z _{-25°C} / Z _{+20°C}	7	4	3	2	2	2	2		
	Z _T / Z ₂₀ (MAX.)	Z _{-40°C} / Z _{+20°C}	15	8	8	4	4	3		3
Endurance	The specifications listed at right shall be met when the capacitors are restored to 20°C after the rated voltage is applied for 1000 hours at 85°C.								Capacitance change	Within ±30% of the initial capacitance value
									tan δ	300% or less than the initial specified value
									Leakage current	Less than or equal to the initial specified value
Shelf Life	After storing the capacitors under no load at 85°C for 1000 hours and then performing voltage treatment based on JIS C 5101-4 clause 4.1 at 20°C, they shall meet the specified values for the endurance characteristics listed above.									
Resistance to soldering heat	The capacitors are kept on a hot plate for 30 seconds, which is maintained at 250°C. The capacitors shall meet the characteristic requirements listed at right when they are removed from the plate and restored to 20°C.								Capacitance change	Within ±10% of the initial capacitance value
									tan δ	Less than or equal to the initial specified value
									Leakage current	Less than or equal to the initial specified value
Marking	Black print on the case top.									

Chip Type



Type numbering system (Example : 16V 10μF)



Frequency coefficient of rated ripple current

Frequency	50 Hz	120 Hz	300 Hz	1 kHz	10 kHz or more
Coefficient	0.70	1.00	1.17	1.36	1.50

● Dimension table in next page.

UZR

■Dimensions

Rated Voltage (V) (code)	Rated Capacitance (μF)	Case Size φD×L (mm)	tan δ	Leakage Current (μA) (at 20°C after 2 minutes)	Rated Ripple (mArms) (85°C/120Hz)	Part Number
4 (0G)	33	4×3.9	0.50	3	28	UZR0G330MCL1GB
	47	4×3.9	0.50	3	33	UZR0G470MCL1GB
	100	5×3.9	0.50	4	56	UZR0G101MCL1GB
	220	6.3×3.9	0.50	8.8	96	UZR0G221MCL1GB
6.3 (0J)	22	4×3.9	0.30	3	28	UZR0J220MCL1GB
	33	5×3.9	0.30	3	37	UZR0J330MCL1GB
	47	5×3.9	0.30	3	45	UZR0J470MCL1GB
	100	6.3×3.9	0.30	6.3	70	UZR0J101MCL1GB
10 (1A)	22	5×3.9	0.24	3	33	UZR1A220MCL1GB
	33	5×3.9	0.24	3.3	41	UZR1A330MCL1GB
	47	6.3×3.9	0.24	4.7	52	UZR1A470MCL1GB
16 (1C)	10	4×3.9	0.19	3	23	UZR1C100MCL1GB
	22	5×3.9	0.19	3.52	37	UZR1C220MCL1GB
	33	6.3×3.9	0.19	5.28	49	UZR1C330MCL1GB
	47	6.3×3.9	0.19	7.52	58	UZR1C470MCL1GB
25 (1E)	4.7	4×3.9	0.16	3	16	UZR1E470MCL1GB
	10	5×3.9	0.16	3	27	UZR1E100MCL1GB
	22	6.3×3.9	0.16	5.5	42	UZR1E220MCL1GB
	33	6.3×3.9	0.16	8.25	52	UZR1E330MCL1GB
35 (1V)	4.7	4×3.9	0.14	3	18	UZR1V470MCL1GB
	10	5×3.9	0.14	3.5	29	UZR1V100MCL1GB
	22	6.3×3.9	0.14	7.7	46	UZR1V220MCL1GB
50 (1H)	1	4×3.9	0.14	3	8.4	UZR1H010MCL1GB
	2.2	4×3.9	0.14	3	13	UZR1H220MCL1GB
	3.3	4×3.9	0.14	3	17	UZR1H330MCL1GB
	4.7	5×3.9	0.14	3	20	UZR1H470MCL1GB
	10	6.3×3.9	0.14	5	33	UZR1H100MCL1GB

- For taping specifications, recommended land size/soldering by reflow and minimum order quantity, please refer to the Guidelines for Aluminum Electrolytic Capacitors.

Mouser Electronics

Authorized Distributor

Click to View Pricing, Inventory, Delivery & Lifecycle Information:

Nichicon:

[UZR1C100MCL1GB](#) [UZR1E330MCL1GB](#) [UZR0G330MCL1GB](#) [UZR0G470MCL1GB](#) [UZR0G101MCL1GB](#)
[UZR0G221MCL1GB](#) [UZR0J220MCL1GB](#) [UZR0J470MCL1GB](#) [UZR0J101MCL1GB](#) [UZR1A220MCL1GB](#)
[UZR1A470MCL1GB](#) [UZR1C220MCL1GB](#) [UZR1C470MCL1GB](#) [UZR1E4R7MCL1GB](#) [UZR1V4R7MCL1GB](#)
[UZR1V220MCL1GB](#) [UZR1H010MCL1GB](#) [UZR1H2R2MCL1GB](#) [UZR1H100MCL1GB](#) [UZR1V100MCL1GB](#)
[UZR1E100MCL1GB](#)