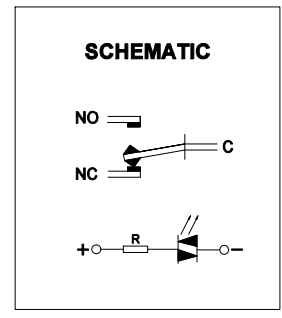
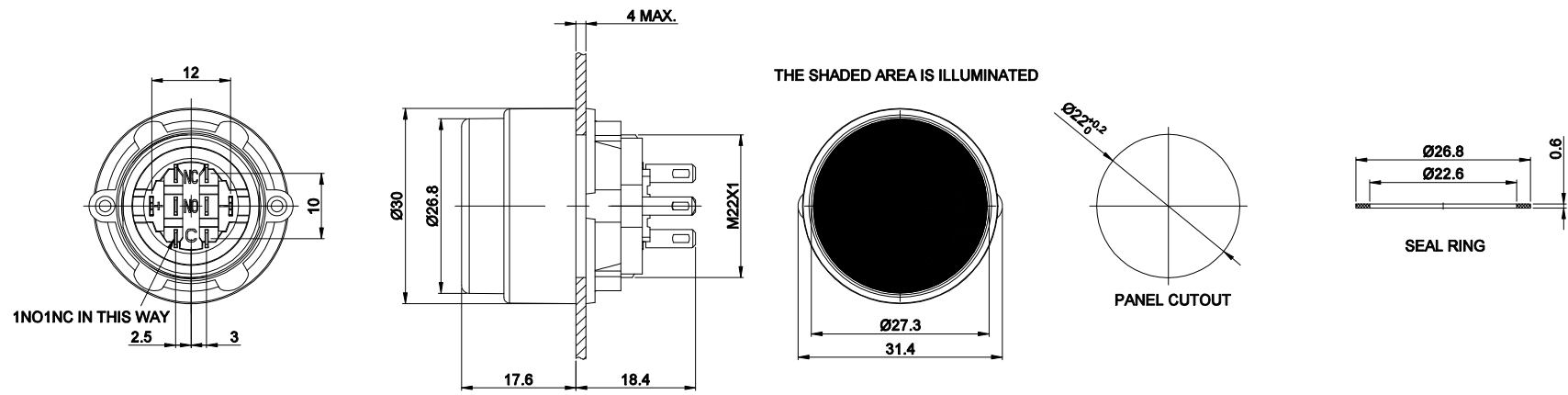


1 2 3 4 5 6 7

FOR 客户名称	APPROVED 客户确认签字	ATTN 销售负责人



PART NUMBER: LAS1-A22Y-□■/△/▲

"□"	CONTACT STRUCTURE	"△"	LAMP COLOR	"▲"	LAMP VOLTAGE
11	1NO 1NC	R	RED	6V	AC/DC 6V
22	2NO 2NC	G	GREEN	12V	AC/DC 12V
		Y	YELLOW	24V	AC/DC 24V
		B	BLUE	110V	AC/DC 110V
		W	WHITE	220V	AC/DC 220V

"■"	OPERATION MODE
NO LETTER	MOMENTARY
Z	LATCHING

- SPECIFICATIONS:**
- SWITCH RATING: Ui:250V, Ith:5A.
  - MECHANICAL LIFE: ≥1,000,000 cycles(MOMENTARY);  
≥500,000 cycles(LATCHING).
  - ELECTRICAL LIFE: ≥50,000 cycles.
  - CONTACT RESISTANCE: ≤50mΩ.
  - INSULATION RESISTANCE: ≥100MΩ(500VDC).
  - DIELECTRIC STRENGTH: 1,500V, RMS 50HZ, 1min.
  - OPERATING TEMPERATURE: -25°C~ +55°C(NO FREEZING).
  - OPERATING FORCE: ABOUT 1.5N(1NO1NC), ABOUT 3N(2NO2NC)
  - OPERATING TRAVEL: ABOUT 3mm.
  - FRONT FANEL PROTECTION DEGREE: IP65.
  - TERMINAL TYPE: PIN TERMINAL(2.8 X 0.5mm).
  - GENERAL TOLERANCE:0-18mm=±0.25, 18-80mm=±0.52.

- MATERIALS:**
- CONTACT: SILVER ALLOY.
  - BUTTON:PC.
  - BODY:PC.
  - BASE: PBT.

BRAND 品牌		<b>红波按钮制造有限公司</b>			
<b>ONPOW 欧宝龙®</b>		ONPOW PUSH BUTTON MANUFACTURE CO.,LTD.			
TITLE 名称	LAS1-A22 SERIES PUSHBUTTON SWITCHES	UNIT 单位	mm		
DWG NO. 图号	LAS1-A22	SCALE 比例	1.2 : 1	SIZE 图纸	A4
FILE NAME 档案名称	LAS1-A22.DWG	DRAWN 制图	YDY 2022/08/05	SHEET 张	1/1 REV. 更改 1

1 2 3 4 5 6 7