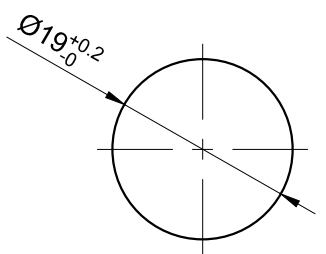
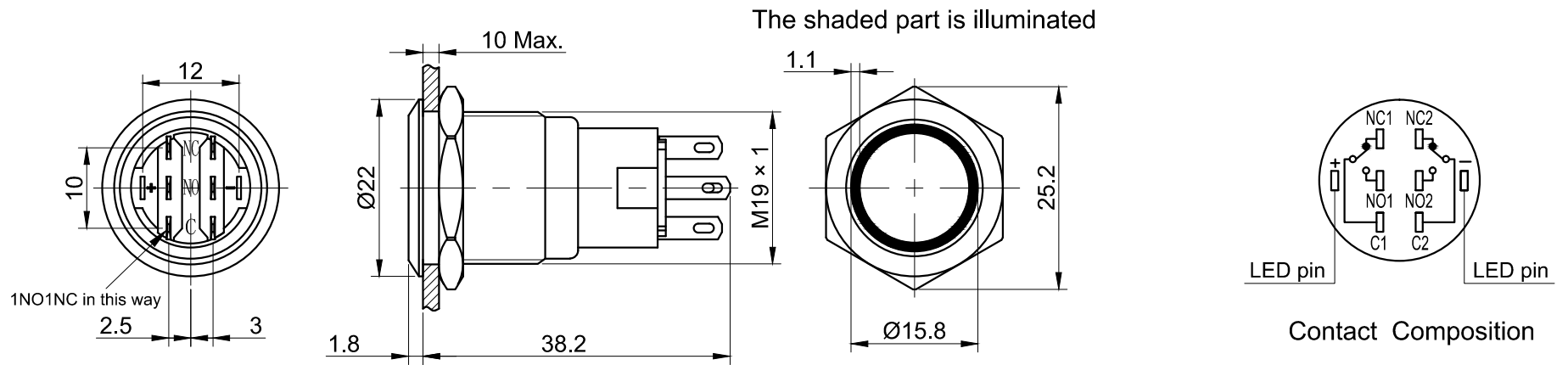
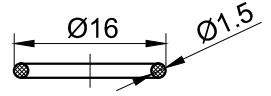


1	2	3	4	5	6	7
				FOR 客户名称	APPROVED 客户确认签字	ATTN 销售负责人



PANEL CUTOUT
MAX.PANEL THICKNESS
10 mm



Seal Ring

Part Number: LAS1-AGQ-□■E/△/▲/S

" "	Contact structure
11	1NO 1NC
22	2NO 2NC

" "	Operation mode
No Letter	Momentary
Z	Latching

" "	Lamp Color
R	Red
G	Green
Y	Yellow
B	Blue
W	White

" "	Lamp voltage
6V	AC/DC 6V
12V	AC/DC 12V
24V	AC/DC 24V
110V	AC/DC 110V
220V	AC/DC 220V

Other voltage can be made to order

SPECIFICATIONS:

- 1.Switch Rating: AC220V/0.5A, DC110V/0.1A.
- 2.Mechanical Life: ≥1,000,000cycles.
- 3.Electrical Life: ≥50,000cycles.
- 4.Contact Resistance: ≤50mΩ.
- 5.Insulation Resistance: ≥1,000MΩ.
- 6.Dielectric Strength: 1,500V, RMS 50Hz , 1min.
- 7.Operating Temperature: -25℃~ +55℃(No Freezing).
- 8.Operating Force: About 1.5N(1NO1NC),About 3N(2NO2NC).
- 9.Operating Travel: About 3.1mm.
- 10.Torque: About 0.6Nm max.applied to nut.
- 11.Protection degree: IP65
- 12.Terminal Type: Pin Terminal(2.8 x 0.5mm).

MATERIALS:

- 1.Contact: Silver alloy.
- 2.Button: Stainless Steel.
- 3.Body: Stainless Steel.
- 4.Base: PBT.

BRAND 品牌 ONPOW		红波按钮制造有限公司 ONPOW PUSH BUTTON MANUFACTURE CO.,LTD.			
THESE DRAWINGS AND SPECIFICATIONS ARE THE PROPERTY OF ONPOW PUSH BUTTON MANUFACTURE CO.,LTD. AND SHALL NOT BE REPRODUCED COPIED OR USED IN ANY MANNER WITHOUT THE PRIOR WRITTEN CONSENT OF ONPOW PUSH BUTTON MANUFACTURE CO.,LTD.		USED 用途	APPD 审核	CH	2020/04/23
		FINISH 处理	CHKD 校对	NCH	2020/04/23
		SCALE 比例	1.2 / 1	UNIT 单位	mm
		DR. 制图		ZPD	2020/04/23
DIMENSIONS		TOLERANCE		TITLE 名称	
0.00 TO 18.00mm		±0.43mm		GQ Series Anti-vandal push button	
18.01 TO 30.00mm		±0.52mm		DWG NO. 图号	
30.01 TO 50.00mm		±0.62mm		LAS1-AGQ-E(旋转)	
50.01 TO 80.00mm		±0.74mm		FILE NAME 档案名称	
		LAS1-AGQ-E.DWG		SHEET 张	1 / 1
				REV. 更改	1
				SIZE 图纸	A4