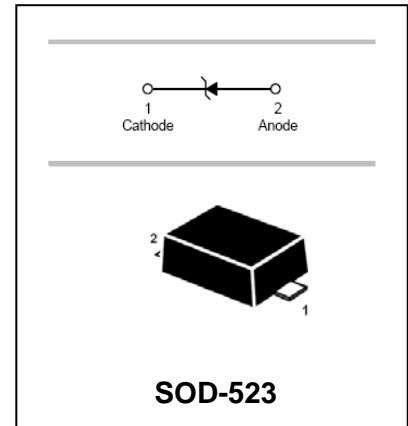


FEATURES

- Large selection of zener voltages: 2.0V ~ 75V
- Tight voltage tolerance: $\pm 2\%$ for B-series
- Ultra low-profile package well suited for automated assembly
- MSL Class 1 compatible

APPLICATIONS

- General voltage regulation
- Mobile & handheld systems



MAXIMUM RATING (@ $T_A = 25^\circ\text{C}$ unless otherwise specified)

Parameter	Symbol	Value	Unit
Forward Voltage @ $I_F=10\text{mA}$	V_F	0.9	V
Power Dissipation (Collector)	P_C	150	mW
Thermal Resistance (Junction-to-Ambient)	$R_{\theta JA}$	834	$^\circ\text{C}/\text{W}$
Junction Temperature Range	T_J	-55 ~ +150	$^\circ\text{C}$
Storage Temperature Range	T_{STG}	-65 ~ +150	$^\circ\text{C}$

Note: These ratings are limiting values above which the serviceability of the diodes may be impaired.

ELECTRICAL CHARACTERISTICS (@ T_A = 25°C unless otherwise specified)

Part Number	Zener Voltage V _Z (V)			@ I _{ZT} (mA)	Maximum Zener Impedance			Temperature Coefficient @ I _{ZT} T _C (mV/°C)		Maximum Reverse Current I _R (μA)	@ V _R (V)
	Min.	Typ.	Max.		Z _{ZT} (Ω) @ I _{ZT}	Z _{ZK} (Ω)	@ I _{ZK} (mA)	Min.	Max.		
BZX584B2V0	1.96	2.00	2.04	5	100	1000	0.5	-3.5	0.0	120.000	0.5
BZX584B2V2	2.16	2.20	2.24	5	100	1000	0.5	-3.5	0.0	120.000	0.7
BZX584B2V4	2.35	2.40	2.45	5	100	564	1.0	-3.5	0.0	45.000	1.0
BZX584B2V7	2.65	2.70	2.75	5	100	564	1.0	-3.5	0.0	18.000	1.0
BZX584B3V0	2.94	3.00	3.06	5	100	564	1.0	-3.5	0.0	9.000	1.0
BZX584B3V3	3.23	3.30	3.37	5	95	564	1.0	-3.5	0.0	4.500	1.0
BZX584B3V6	3.53	3.60	3.67	5	90	564	1.0	-3.5	0.0	4.500	1.0
BZX584B3V9	3.82	3.90	3.98	5	90	564	1.0	-3.5	0.0	2.700	1.0
BZX584B4V3	4.21	4.30	4.39	5	90	564	1.0	-3.5	0.0	2.700	1.0
BZX584B4V7	4.61	4.70	4.79	5	80	470	1.0	-3.5	0.0	2.700	2.0
BZX584B5V1	5.00	5.10	5.20	5	60	451	1.0	-2.7	1.2	1.800	2.0
BZX584B5V6	5.49	5.60	5.71	5	40	376	1.0	-2.0	2.5	0.900	2.0
BZX584B6V2	6.08	6.20	6.32	5	10	141	1.0	0.4	3.7	2.700	4.0
BZX584B6V8	6.66	6.80	6.94	5	15	75	1.0	1.2	4.5	1.800	4.0
BZX584B7V5	7.35	7.50	7.65	5	15	75	1.0	2.5	5.3	0.900	5.0
BZX584B8V2	8.04	8.20	8.36	5	15	75	1.0	3.2	6.2	0.630	5.0
BZX584B9V1	8.92	9.10	9.28	5	15	94	1.0	3.8	7.0	0.450	6.0
BZX584B10	9.80	10.00	10.20	5	20	141	1.0	4.5	8.0	0.180	7.0
BZX584B11	10.78	11.00	11.22	5	20	141	1.0	5.4	9.0	0.090	8.0
BZX584B12	11.76	12.00	12.24	5	25	141	1.0	6.0	10.0	0.090	8.0
BZX584B13	12.74	13.00	13.26	5	30	160	1.0	7.0	11.0	0.090	8.0
BZX584B15	14.70	15.00	15.30	5	30	188	1.0	9.2	13.0	0.045	10.5
BZX584B16	15.68	16.00	16.32	5	40	188	1.0	10.4	14.0	0.045	11.2
BZX584B18	17.64	18.00	18.36	5	45	212	1.0	12.4	16.0	0.045	12.6
BZX584B20	19.60	20.00	20.40	5	55	212	1.0	14.4	18.0	0.045	14.0
BZX584B22	21.56	22.00	22.44	5	55	235	1.0	16.4	20.0	0.045	15.4
BZX584B24	23.52	24.00	24.48	5	70	235	1.0	18.4	22.0	0.045	16.8
BZX584B27	26.46	27.00	27.54	2	80	282	0.5	21.4	25.3	0.045	18.9
BZX584B30	29.40	30.00	30.60	2	80	282	0.5	24.4	29.4	0.045	21.0
BZX584B33	32.34	33.00	33.66	2	80	306	0.5	27.4	33.4	0.045	23.0
BZX584B36	35.28	36.00	36.72	2	90	329	0.5	30.4	37.4	0.045	25.2
BZX584B39	38.22	39.00	39.78	2	130	329	0.5	33.4	41.2	0.045	27.3
BZX584B43	42.14	43.00	43.86	2	150	353	0.5	10.0	12.0	0.045	30.1
BZX584B47	46.06	47.00	47.94	2	170	353	0.5	10.0	12.0	0.045	33.0
BZX584B51	49.98	51.00	52.02	2	180	376	0.5	10.0	12.0	0.045	35.7
BZX584B56	54.88	56.00	57.12	2	200	400	0.5	10.0	12.0	0.045	39.2
BZX584B62	60.76	62.00	63.24	2	215	423	0.5	10.0	12.0	0.045	43.4
BZX584B68	66.64	68.00	69.36	2	240	447	0.5	10.0	12.0	0.045	47.6
BZX584B75	73.50	75.00	76.50	2	255	470	0.5	10.0	12.0	0.045	52.5

TYPICAL CHARACTERISTICS (@ $T_A = 25^\circ\text{C}$ unless otherwise specified)

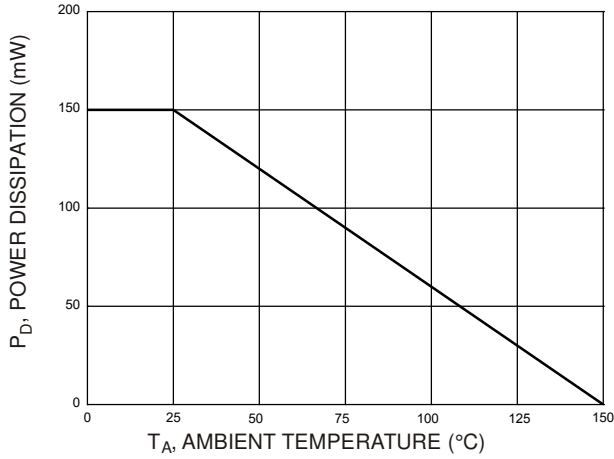


Fig. 1 Power Derating Curve

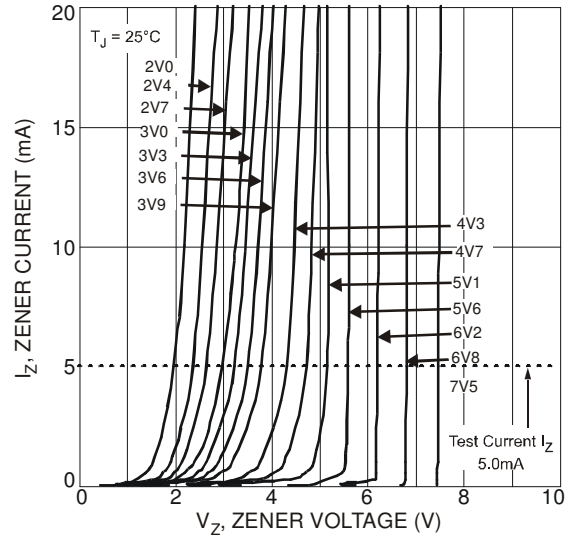


Fig. 2 Typical Zener Breakdown Characteristics

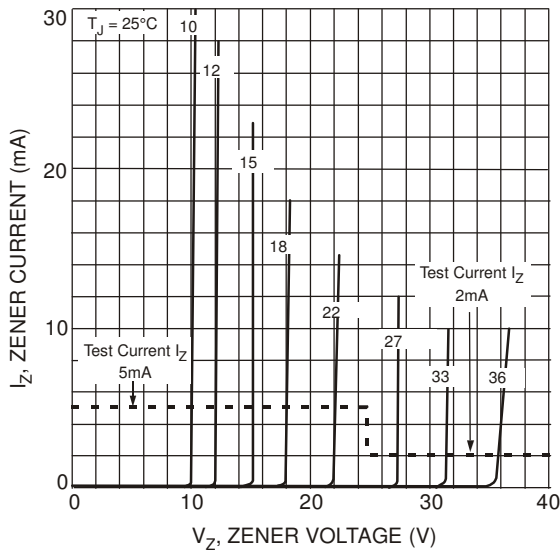


Fig. 3 Typical Zener Breakdown Characteristics

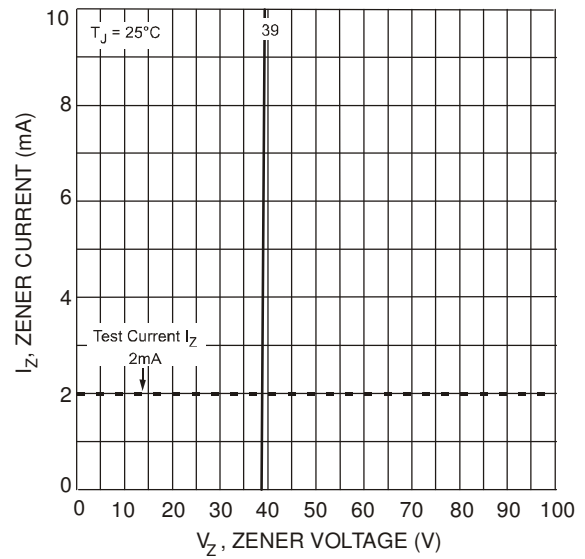
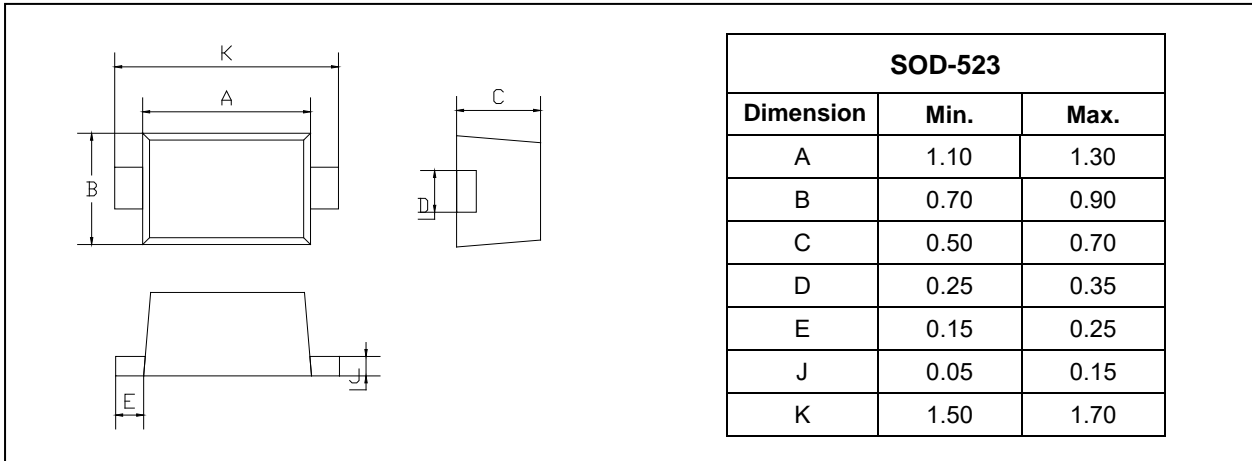


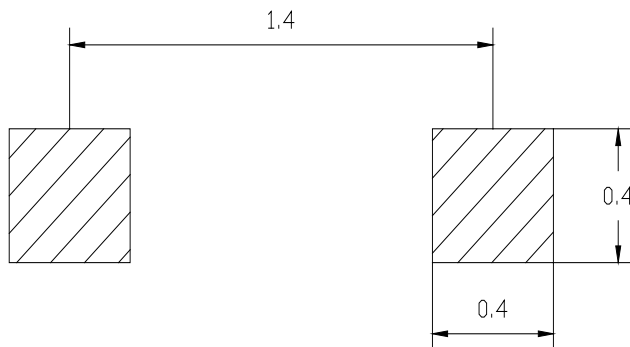
Fig. 4 Typical Zener Breakdown Characteristics

PACKAGE OUTLINE (Unit: mm)

Plastic surface mounted package



MOUNTING PAD LAYOUT (Unit: mm)



PACKAGE INFORMATION

Part Number	Package	Shipping Quantity
BZX584B2V0 - BZX584B75	SOD-523	3000pcs / Tape & Reel