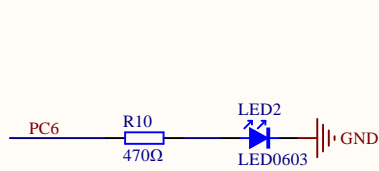
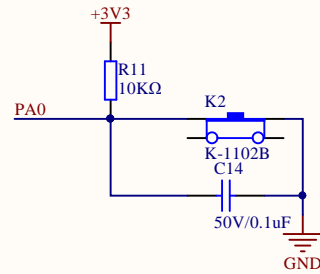


LED



KEY



Extension Pin

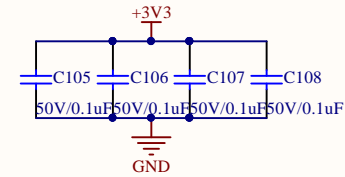
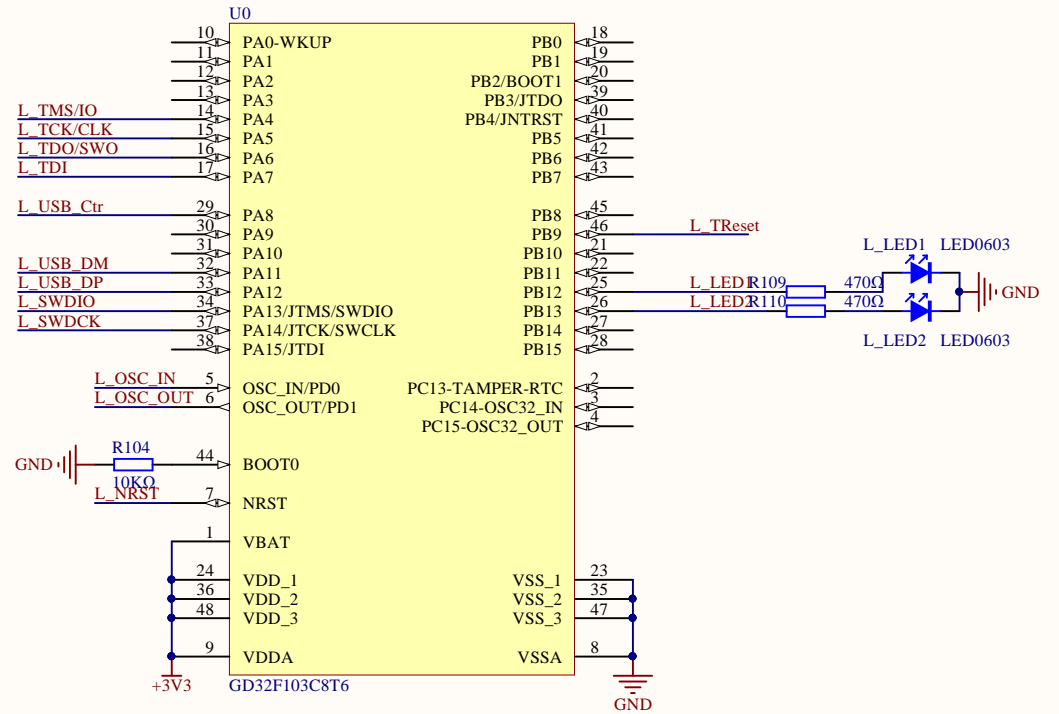
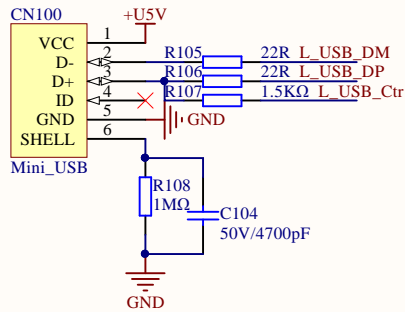
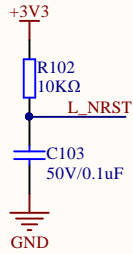
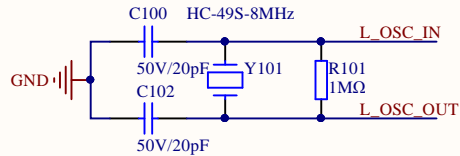
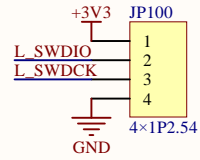
PC1	1	2	PC0
PC3	3	4	PC2
PA2	5	6	PA1
PA4	7	8	PA3
PA6	9	10	PA5
PC4	11	12	PA7
PB0	13	14	PC5
PE7	15	16	PB1
PE9	17	18	PE8
PE11	19	20	PE10
PE13	21	22	PE12
PE15	23	24	PE14
PB11	25	26	PB10
PB13	27	28	PB12
PB15	29	30	PB14
PD9	31	32	PD8
PD11	33	34	PD10
PD13	35	36	PD12
PD15	37	38	PD14

HEADER 19X2

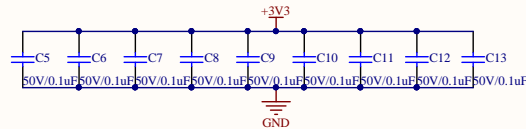
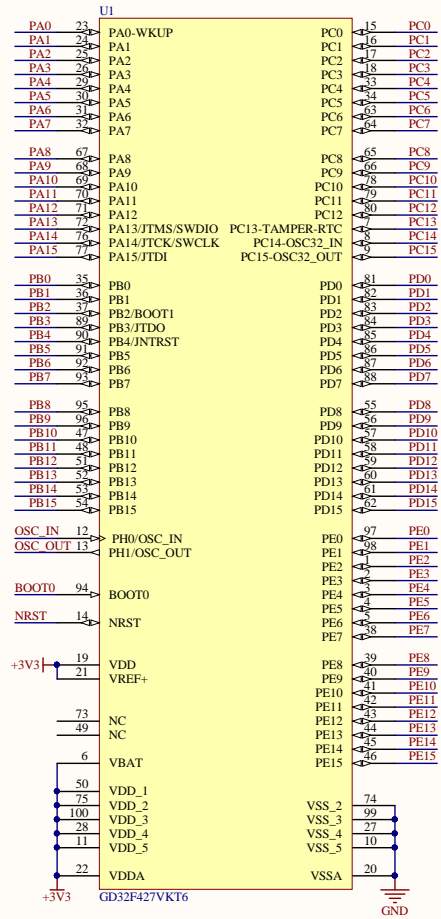
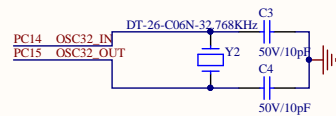
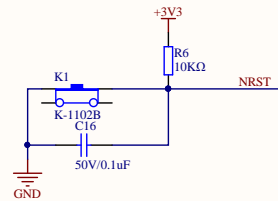
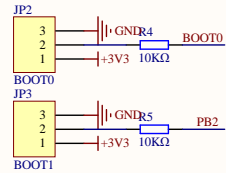
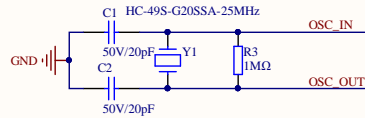
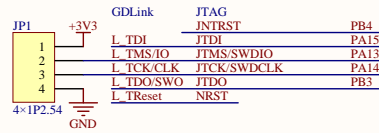
1	2	PC13
3	4	PE6
5	6	PE4
7	8	PE2
9	10	PE0
11	12	PB8
13	14	PB6
15	16	PB4
17	18	PD7
19	20	PD5
21	22	PD2
23	24	PD0
25	26	PC11
27	28	PA15
29	30	PA13
31	32	PA9
33	34	PC9
35	36	PC7
37	38	

HEADER 19X2

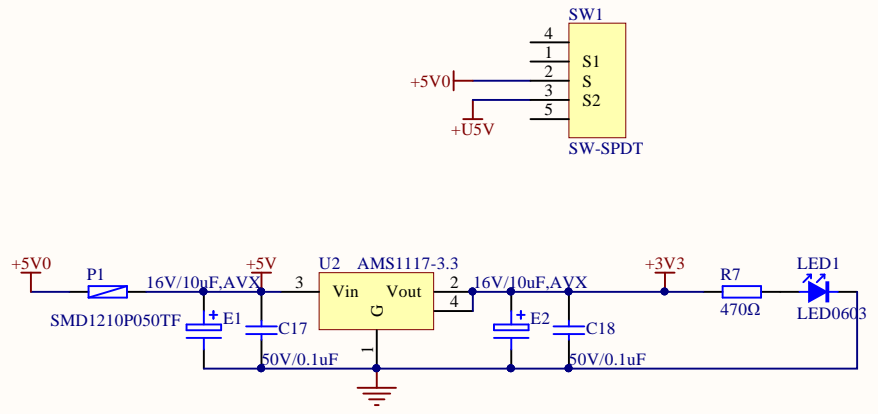
Company Name: GigaDevice		
File Name: Extension		
Revision: 1.0	Data: 2022-3	Author: XuFei



Company Name: GigaDevice		
File Name: GDLink		
Revision: 1.0	Data: 2022-3	Author: XuFei



Company Name: GigaDevice		
File Name: MCU		
Revision: 1.0	Date: 2022-3	Author: XuFei



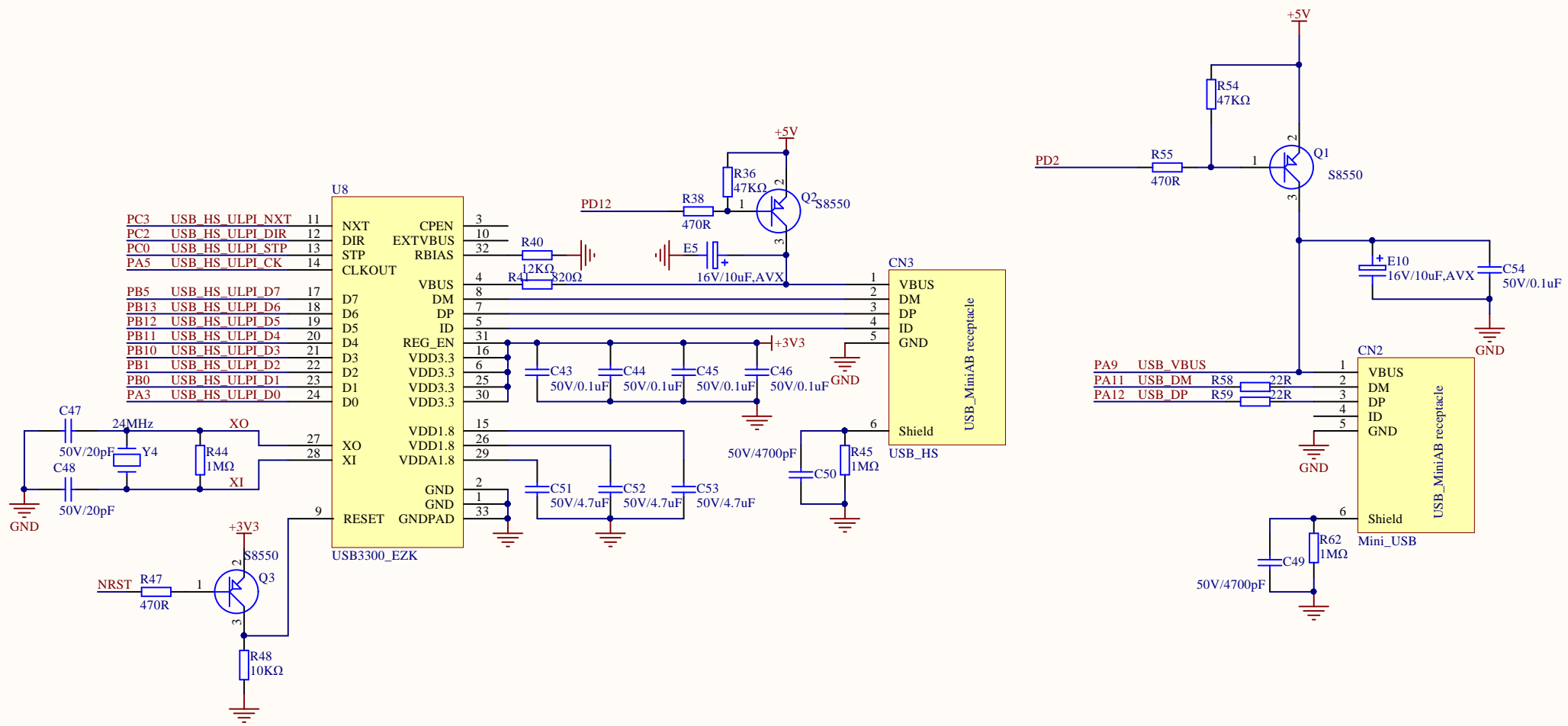
Company Name: GigaDevice

File Name: Power

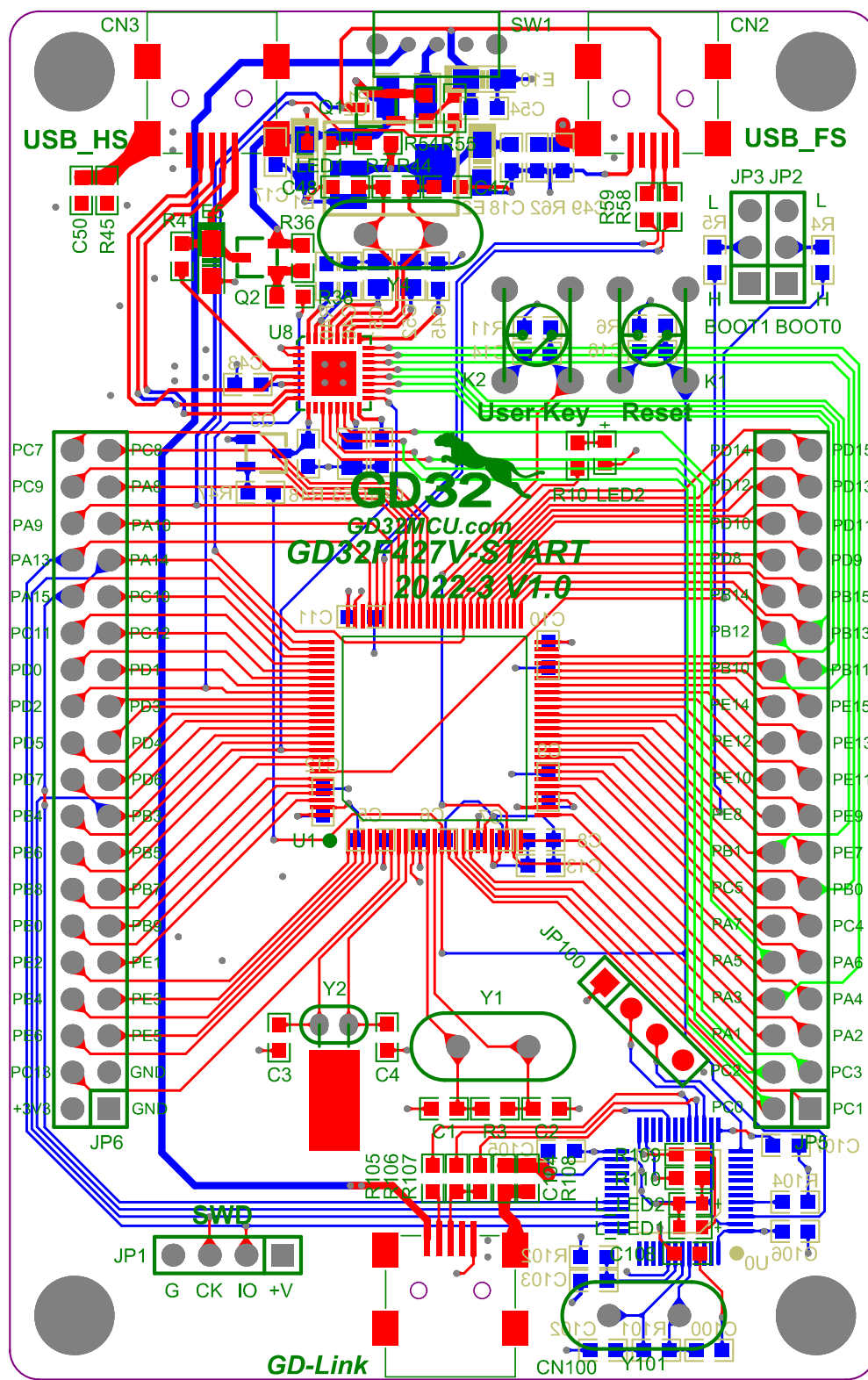
Revision: 1.0

Data: 2022-3

Author: XuFei



Company Name: GigaDevice		
File Name: USB		
Revision: 1.0	Data: 2022-3	Author: Xufei



GD32
GD32MCU.com
GD32F427V-START
2022.3 V1.0

USB_HS

USB_FS

User Key Reset

SWD

GD-Link

PC7
PC9
PA9
PA13
PA15
PC11
PD0
PD2
PD5
PD7
PB4
PB6
PB8
PE0
PE2
PE4
PB6
PC13
+3V3

PC8
PA8
PA10
PA14
PC10
PC12
PD1
PD3
PD4
PD6
PB3
PB5
PB7
PE1
PE3
PE5
GND
GND

PD14
PD12
PD10
PD8
PB14
PB12
PB10
PE14
PE12
PE10
PE8
PB1
PC5
PA7
PA5
PA3
PC2

PD15
PD13
PD11
PD9
PB15
PB13
PB11
PE15
PE13
PE11
PE9
PE7
PB0
PC4
PA6
PA4
PA2
PC3
PC1

JP1
G CK IO +V

JP3 JP2
L R
R5 R4
H H
BOOT1 BOOT0

JP9
C109
R109
LED2
LED1
R108
R107
R106
R105
C108
C107
C106
C105

CN100
Y101