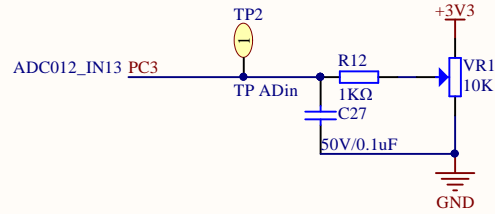
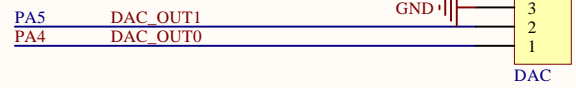


ADC



DAC

PA5 is an AFIO, please refer to SPI Schematic for right config



Company Name: GigaDevice

File Name: AD_DA

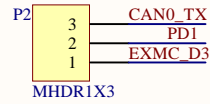
Revision: 1.0

Data: 2017-4

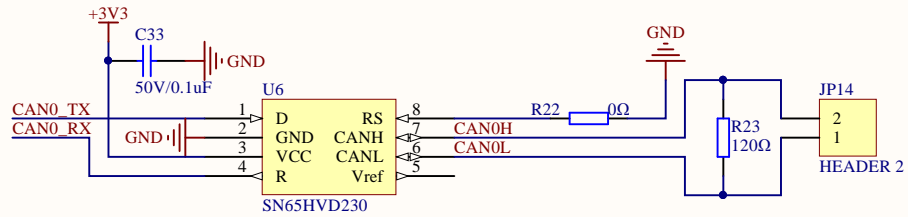
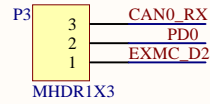
Author: XuFei

CAN

Short P2(1,2) for EXMC function
Short P2(2,3) for CAN0 function

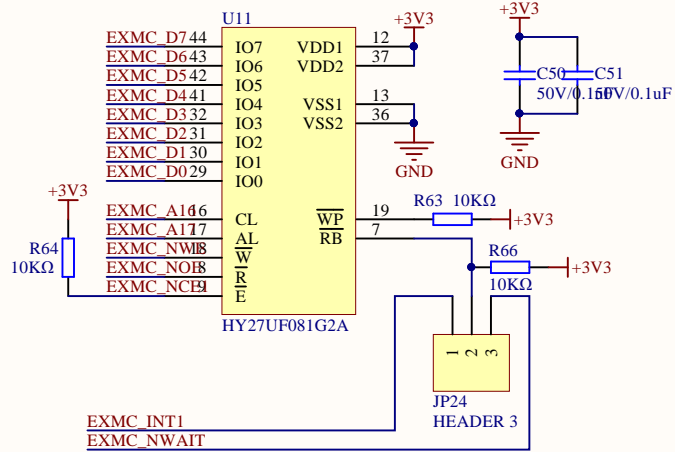


Short P3(1,2) for EXMC function
Short P3(2,3) for CAN0 function

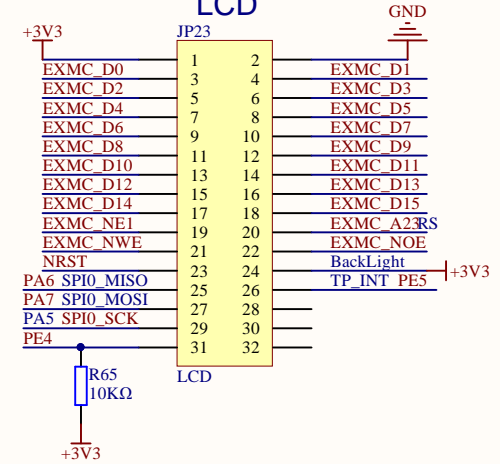


Company Name: GigaDevice		
File Name: CAN		
Revision: 1.0	Data: 2017-4	Author: XuFei

Nand Flash



LCD

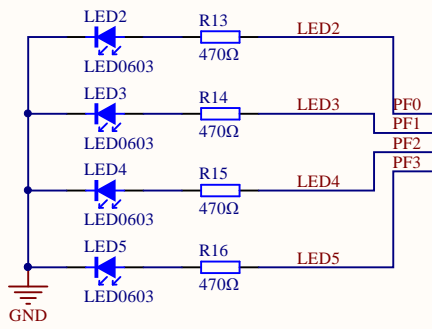


PD0,PD1 are AFIOs, please refer to CAN schematic for right config

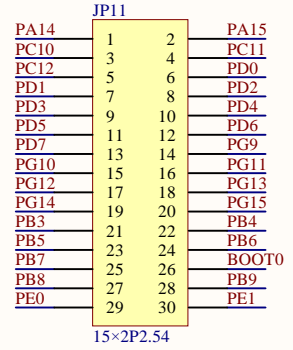
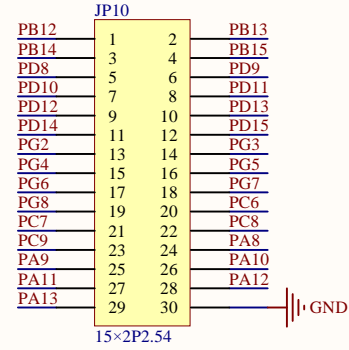
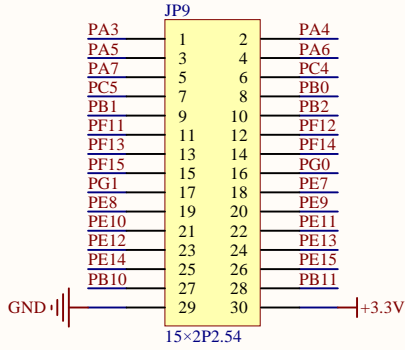
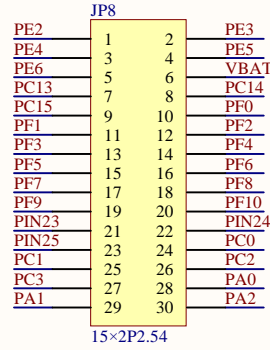
<u>PD14</u>	<u>EXMC_D0</u>	<u>PD11</u>	<u>EXMC_A16</u>
<u>PD15</u>	<u>EXMC_D1</u>	<u>PD12</u>	<u>EXMC_A17</u>
<u>PD0</u>	<u>EXMC_D2</u>	<u>PE2</u>	<u>EXMC_A23</u>
<u>PD1</u>	<u>EXMC_D3</u>	<u>PD4</u>	<u>EXMC_NOE</u>
<u>PE7</u>	<u>EXMC_D4</u>	<u>PD5</u>	<u>EXMC_NWE</u>
<u>PE8</u>	<u>EXMC_D5</u>	<u>PD6</u>	<u>EXMC_NWAIT</u>
<u>PE9</u>	<u>EXMC_D6</u>	<u>PD7</u>	<u>EXMC_NCE1</u>
<u>PE10</u>	<u>EXMC_D7</u>	<u>PG6</u>	<u>EXMC_INT1</u>
<u>PE11</u>	<u>EXMC_D8</u>	<u>PG9</u>	<u>EXMC_NE1</u>
<u>PE12</u>	<u>EXMC_D9</u>		
<u>PE13</u>	<u>EXMC_D10</u>		
<u>PE14</u>	<u>EXMC_D11</u>		
<u>PE15</u>	<u>EXMC_D12</u>		
<u>PD8</u>	<u>EXMC_D13</u>		
<u>PD9</u>	<u>EXMC_D14</u>		
<u>PD10</u>	<u>EXMC_D15</u>		

Company Name: GigaDevice		
File Name: EXMC		
Revision: 1.0	Data: 2017-4	Author: XuFei

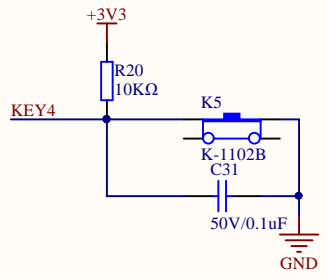
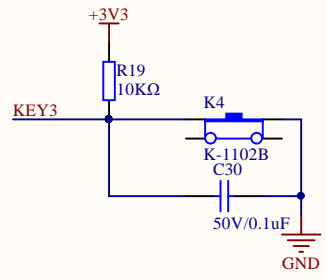
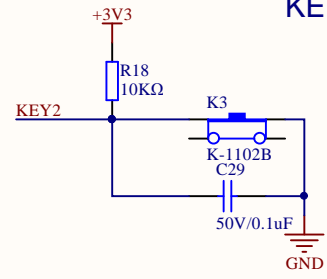
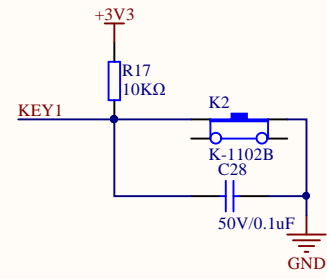
LED



Extension Pin



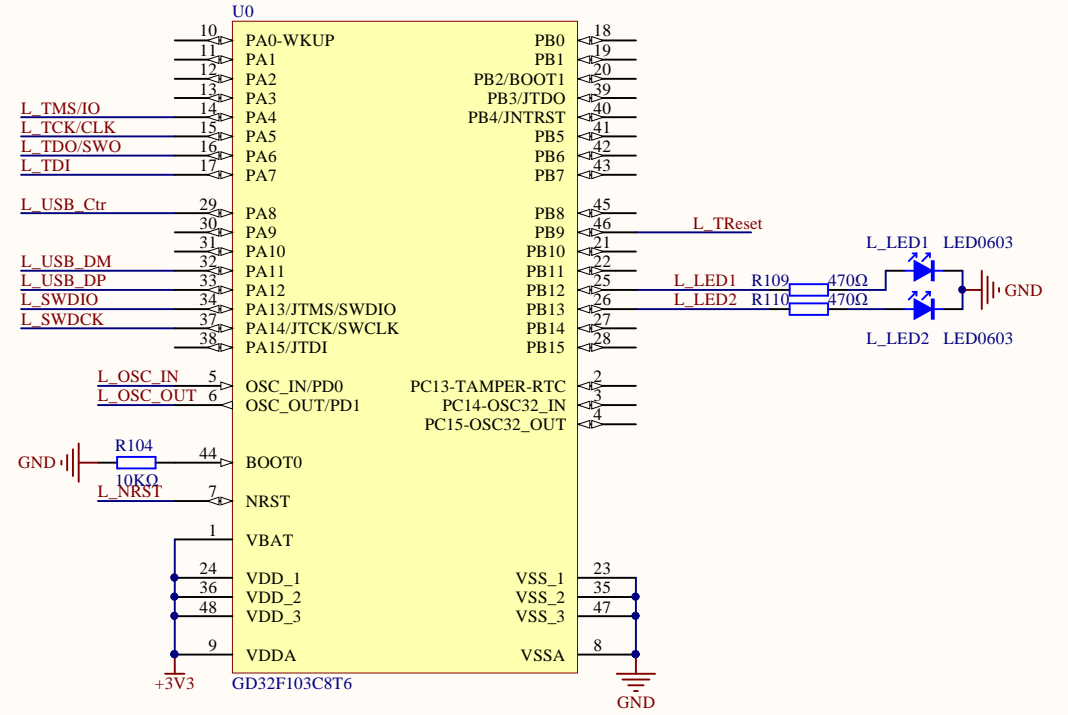
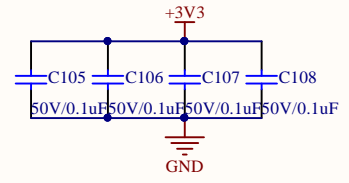
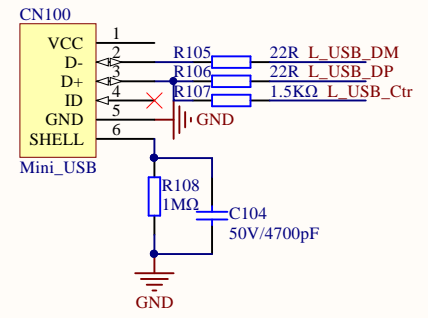
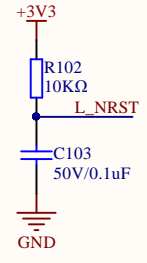
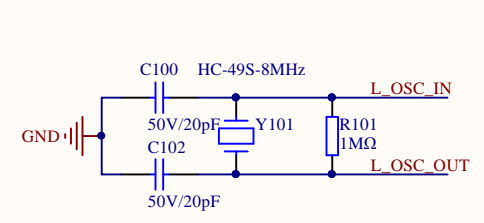
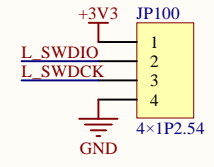
KEY



- PA0 KEY1
- PC13 KEY2
- PF5 KEY3
- PF4 KEY4

Company Name: GigaDevice		
File Name: Extension		
Revision: 1.0	Data: 2017-4	Author: XuFei

MCU SWD



Company Name: GigaDevice

File Name: GDLink

Revision: 1.0

Data: 2015-01-09

Author: XuFei

1

2

3

4

A

A

B

B

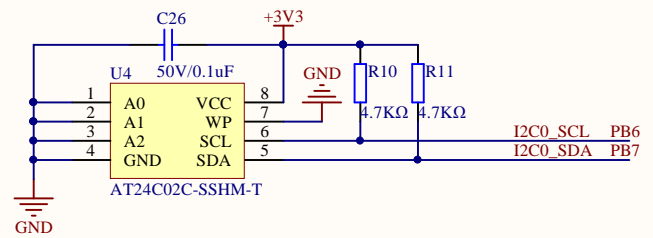
C

C

D

D

I2C



Company Name: GigaDevice

File Name: I2C_SMbus

Revision: 1.0

Data: 2017-4

Author: XuFei

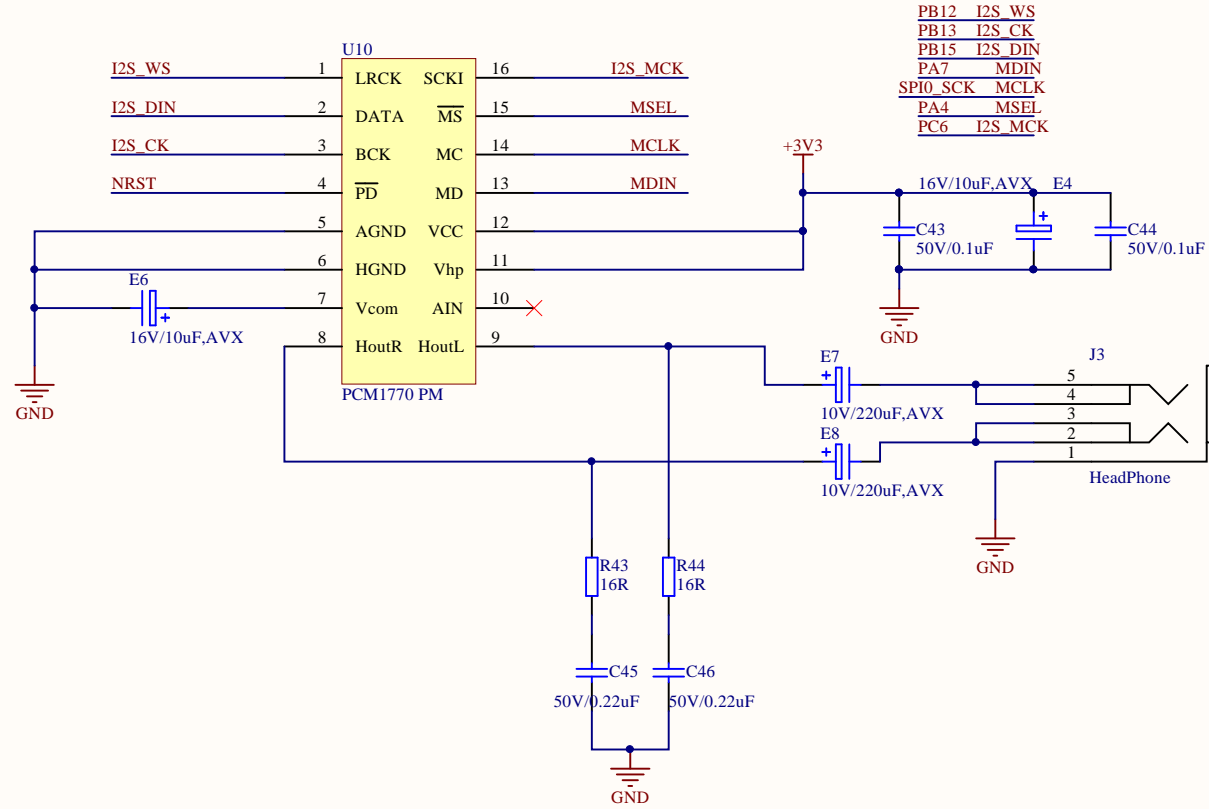
1

2

3

4

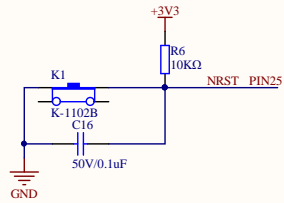
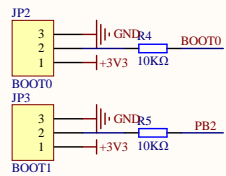
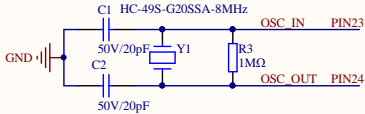
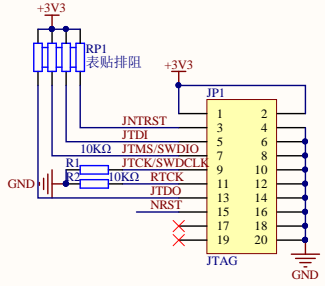
I2S



PB12 I2S_WS
PB13 I2S_CK
PB15 I2S_DIN
PA7 MDIN
SPI0_SCK MCLK
PA4 MSEL
PC6 I2S_MCK

Company Name: GigaDevice		
File Name: I2S		
Revision: 1.1	Data: 2017-4	Author: Xufei

GDLink	JTAG	PB4
L_TMS/IO	JTRST	PA15
L_TDI	JTDO	PA13
L_TMS/IO	JTMS/SWDIO	PA14
L_TCK/CLK	JTCK/SWDCLK	PB3
L_TDO/SWO	JTDO	PB3
L_TReset	NRST	



PA0	34
PA1	35
PA2	36
PA3	37
PA4	40
PA5	41
PA6	42
PA7	43
PA8	100
PA9	101
PA10	102
PA11	103
PA12	104
PA13	105
PA14	109
PA15	110

PB0	46
PB1	47
PB2	48
PB3	133
PB4	134
PB5	135
PB6	136
PB7	137
PB8	139
PB9	140
PB10	69
PB11	70
PB12	73
PB13	74
PB14	75
PB15	76

PC0	26
PC1	27
PC2	28
PC3	29
PC4	44
PC5	45
PC6	96
PC7	97
PC8	98
PC9	99
PC10	111
PC11	112
PC12	113
PC13	7
PC14	8
PC15	9

PD0	114
PD1	115
PD2	116
PD3	117
PD4	118
PD5	119
PD6	122
PD7	123
PD8	77
PD9	78
PD10	79
PD11	80
PD12	81
PD13	82
PD14	85
PD15	86

PIN23	23
PIN24	24
PIN25	25

NC	106
BOOT0	138
VBAT	6

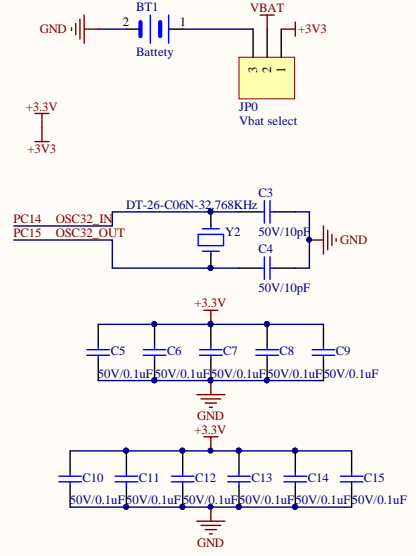
GD32F303ZET6 U1

PG0	56	PG0
PG1	57	PG1
PG2	87	PG2
PG3	88	PG3
PG4	89	PG4
PG5	90	PG5
PG6	91	PG6
PG7	92	PG7
PG8	93	PG8
PG9	124	PG9
PG10	125	PG10
PG11	126	PG11
PG12	127	PG12
PG13	128	PG13
PG14	129	PG14
PG15	132	PG15

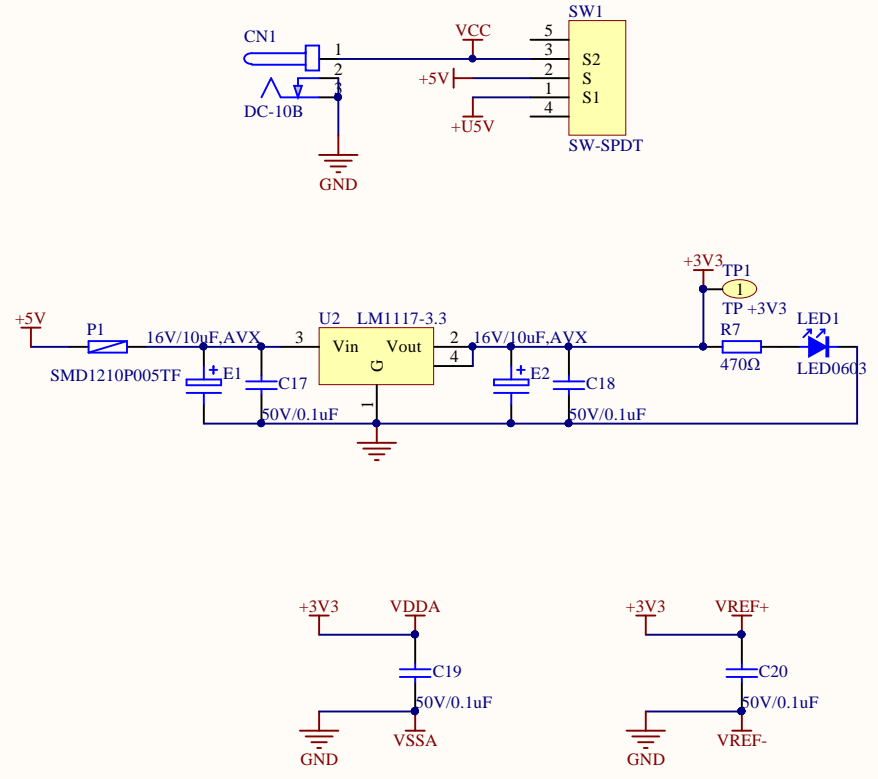
PF0	10	PF0
PF1	11	PF1
PF2	12	PF2
PF3	13	PF3
PF4	14	PF4
PF5	15	PF5
PF6	18	PF6
PF7	19	PF7
PF8	20	PF8
PF9	21	PF9
PF10	22	PF10
PF11	49	PF11
PF12	50	PF12
PF13	53	PF13
PF14	54	PF14
PF15	55	PF15

PE0	141	PE0
PE1	142	PE1
PE2	1	PE2
PE3	2	PE3
PE4	3	PE4
PE5	4	PE5
PE6	5	PE6
PE7	58	PE7
PE8	59	PE8
PE9	60	PE9
PE10	63	PE10
PE11	64	PE11
PE12	65	PE12
PE13	66	PE13
PE14	67	PE14
PE15	68	PE15

VSS_7	61	GND
VDD_7	62	+3.3V
VSS_8	83	GND
VDD_8	84	+3.3V
VSS_9	94	GND
VDD9	95	+3.3V
VSS_10	120	GND
VDD_10	121	+3.3V
VSS_11	130	GND
VDD_11	131	+3.3V
VSSA	30	VSSA
VREF-	32	VREF-
VREF+	33	VREF+
VDDA	33	VDDA



Company Name: GigaDevice		
File Name: MCU		
Revision: 1.1	Date: 2017-4	Author: XuFei



Company Name: GigaDevice

File Name: Power

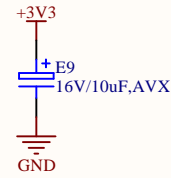
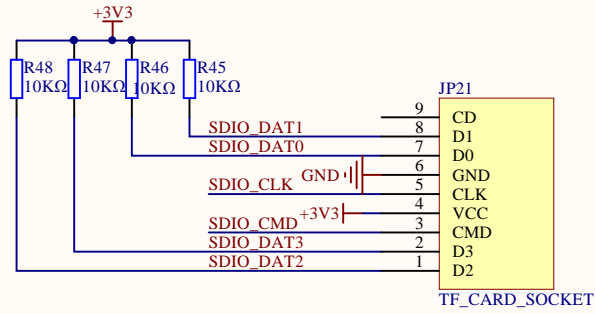
Revision: 1.0

Data: 2017-4

Author: XuFei

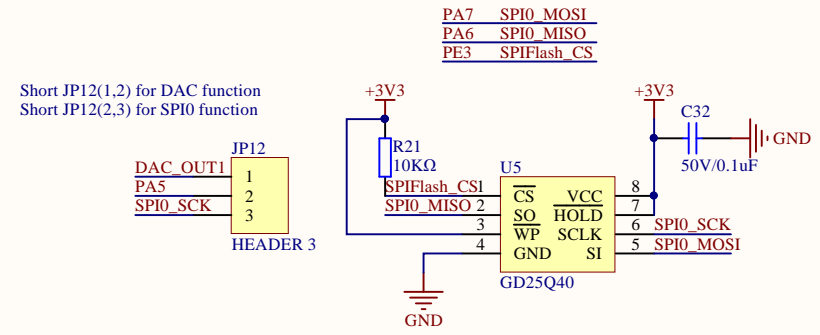
SDIO

PD2	SDIO_CMD
PC12	SDIO_CLK
PC8	SDIO_DAT0
PC9	SDIO_DAT1
PC10	SDIO_DAT2
PC11	SDIO_DAT3



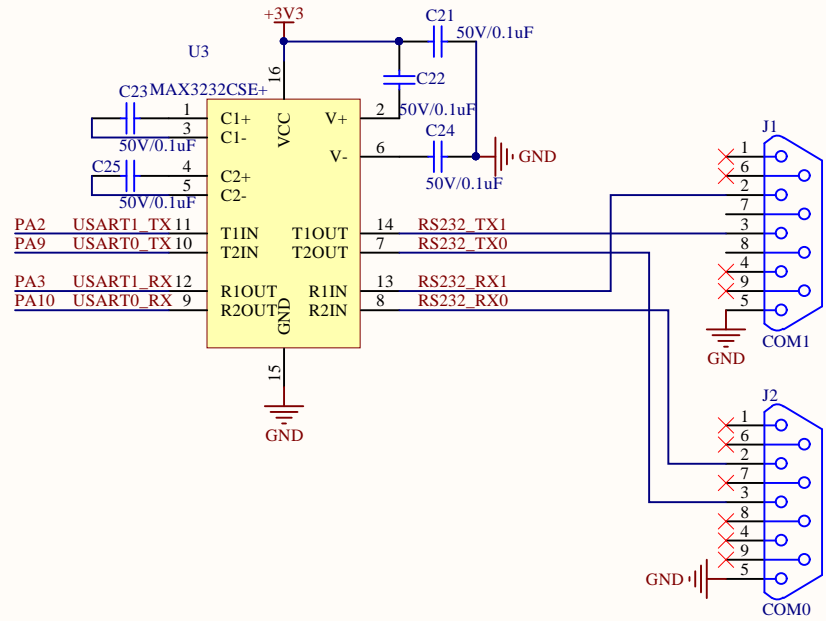
Company Name: GigaDevice		
File Name: SDIO		
Revision: 1.1	Data: 2017-4	Author: Xufei

SPI Flash

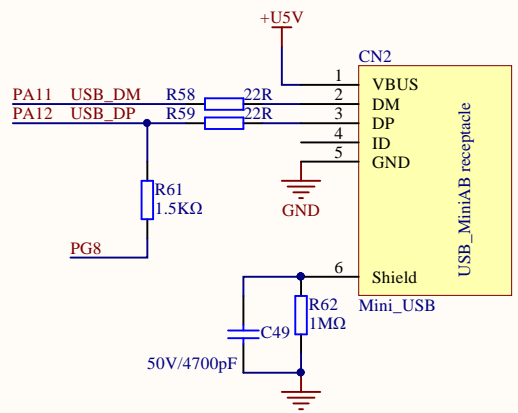


Company Name: GigaDevice		
File Name: SPI		
Revision: 1.0	Data: 2017-4	Author: XuFei

USART0/USART1



Company Name: GigaDevice		
File Name: USART		
Revision: 1.0	Data: 2017-4	Author: XuFei



Company Name: GigaDevice

File Name: USB

Revision: 1.1

Data: 2017-4

Author: Xufei

