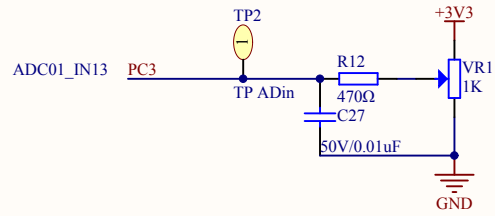
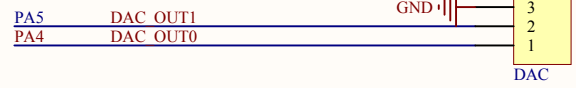


ADC



DAC

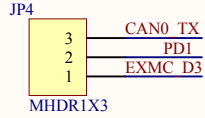
PA5 is an AFIO, please refer to SPI Schematic for right config



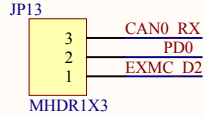
Company Name: GigaDevice		
File Name: AD_DA		
Revision: 1.0	Data: 2019-6	Author: XuFei

CAN

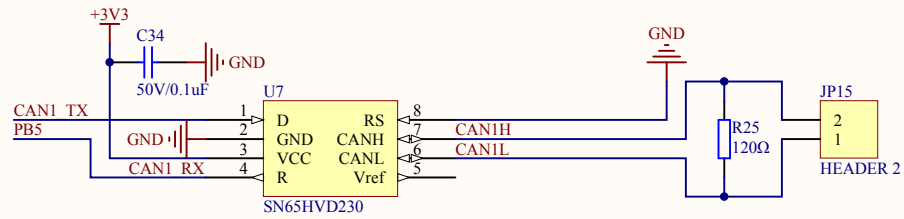
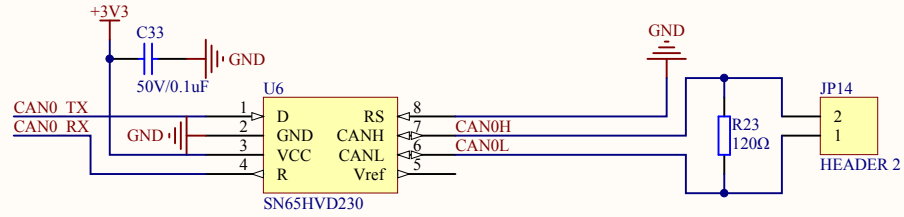
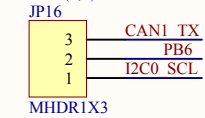
Short JP4(1,2) for EXMC function
Short JP4(2,3) for CAN0 function



Short JP13(1,2) for EXMC function
Short JP13(2,3) for CAN0 function



Short JP16(1,2) for I2C0 function
Short JP16(2,3) for CAN1 function



Company Name: GigaDevice

File Name: CAN

Revision: 1.0

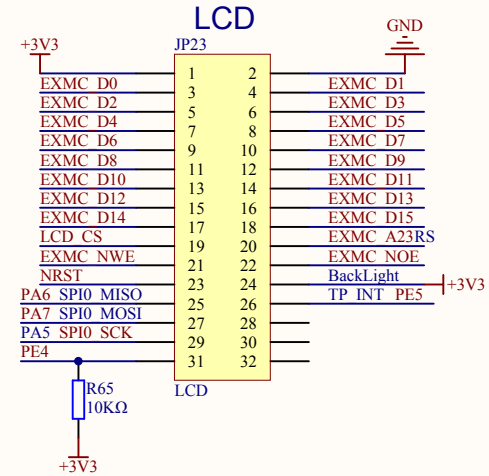
Data: 2013-7-24

Author: XuFei

PD0,PD1 are AFIOs, please refer to CAN schematic for right config

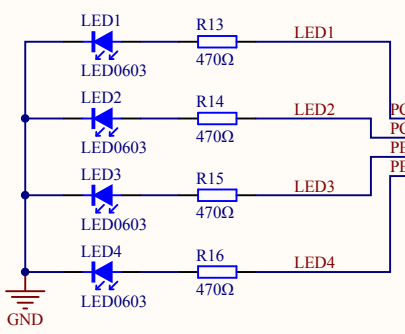
PD14	EXMC D0
PD15	EXMC D1
PD0	EXMC D2
PD1	EXMC D3
PE7	EXMC D4
PE8	EXMC D5
PE9	EXMC D6
PE10	EXMC D7
PE11	EXMC D8
PE12	EXMC D9
PE13	EXMC D10
PE14	EXMC D11
PE15	EXMC D12
PD8	EXMC D13
PD9	EXMC D14
PD10	EXMC D15

PE2	EXMC A23
PD4	EXMC NOE
PD5	EXMC NWE
PD7	EXMC NE0 LCD_CS

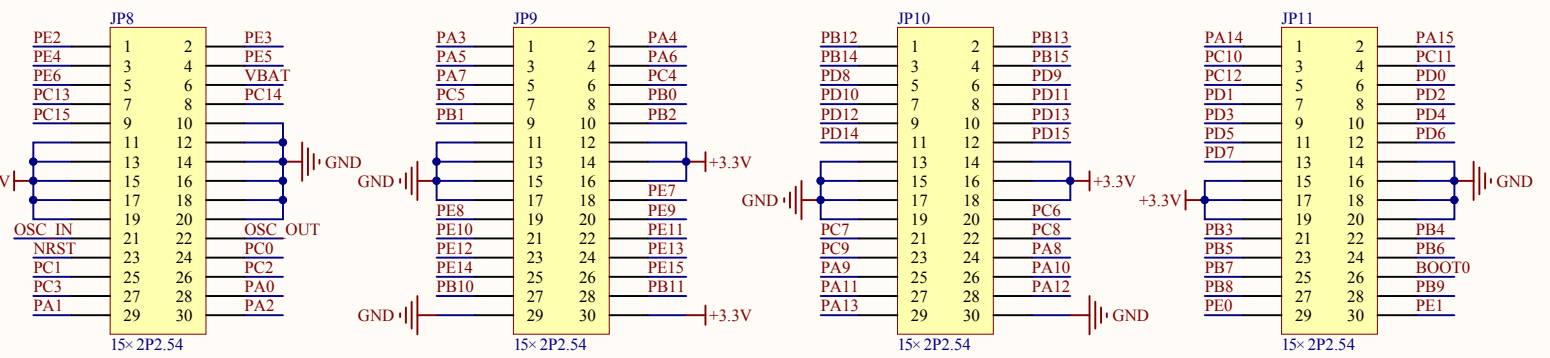


Company Name: GigaDevice		
File Name: EXMC		
Revision: 1.0	Data: 2019-6	Author: XuFei

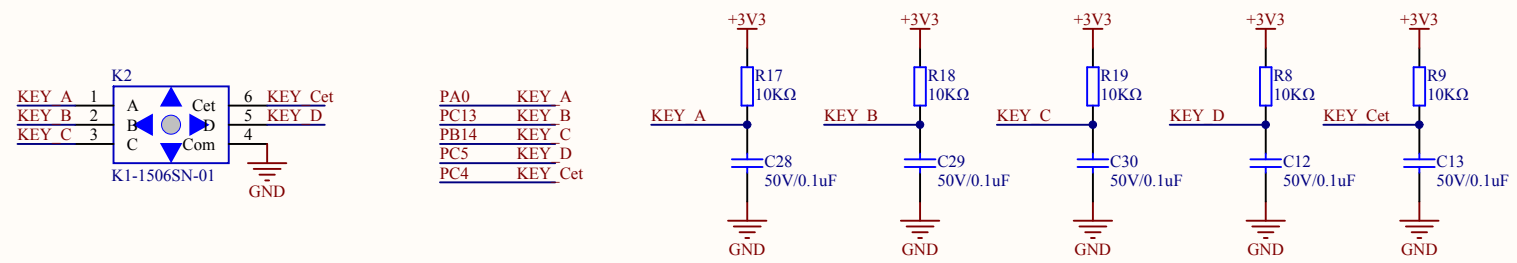
LED



Extension Pin

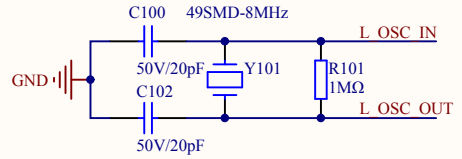
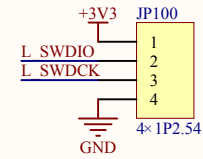


KEY

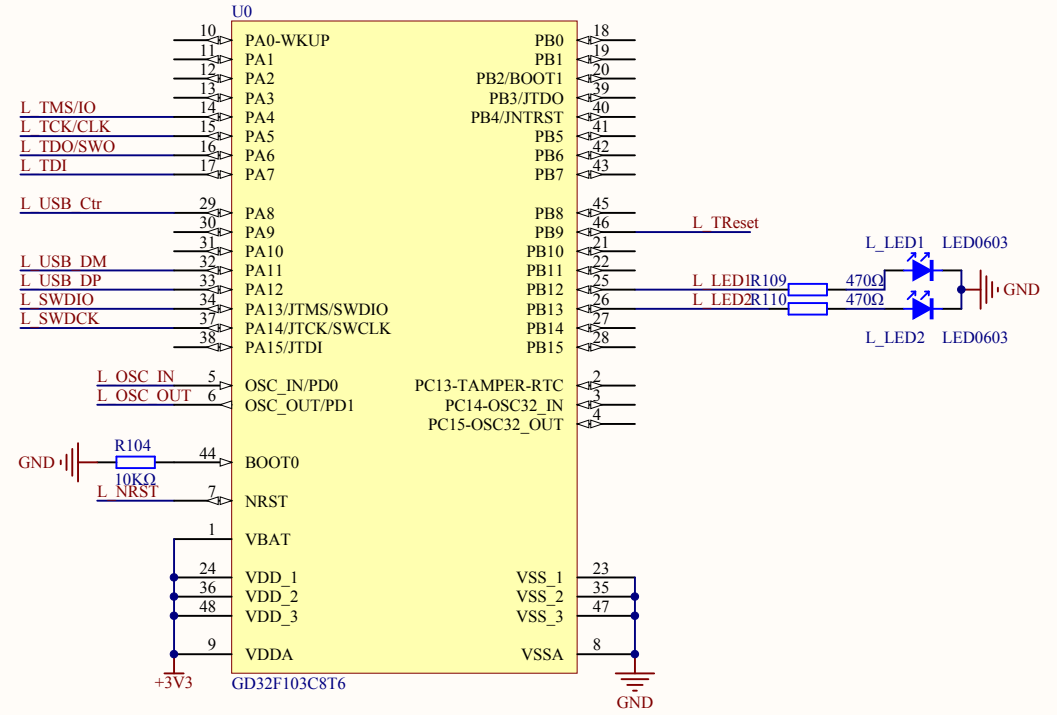
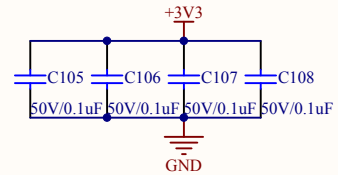
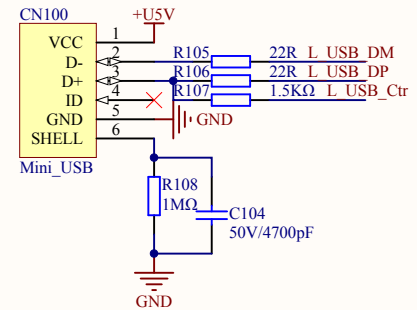
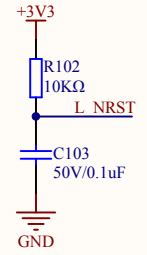


Company Name: GigaDevice		
File Name: Extension		
Revision: 1.0	Data: 2013-8-20	Author: XuFei

MCU SWD



Reset



Company Name: GigaDevice

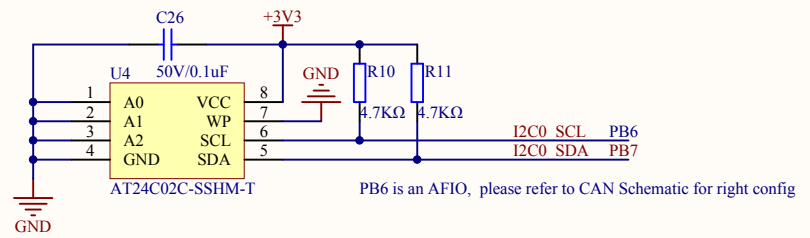
File Name: GDLink

Revision: 1.0

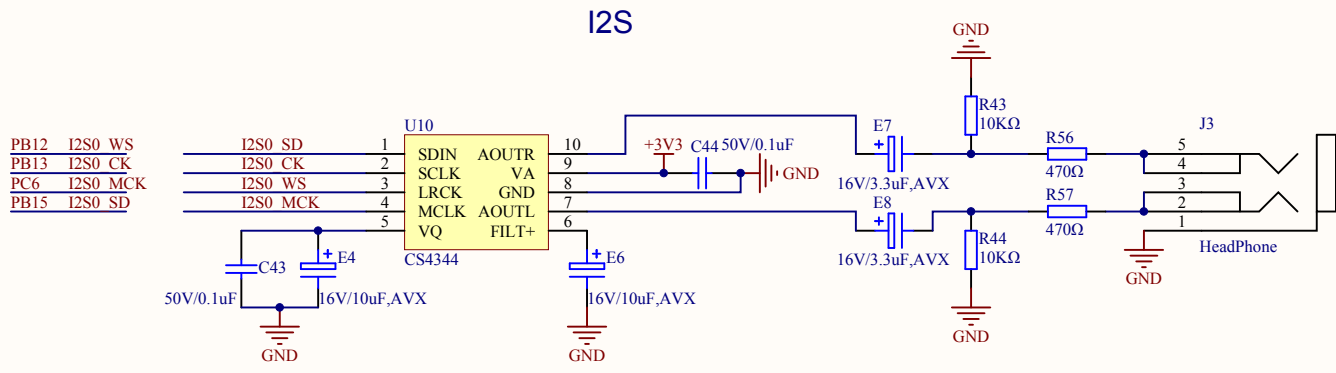
Data: 2019-6

Author: XuFei

I2C

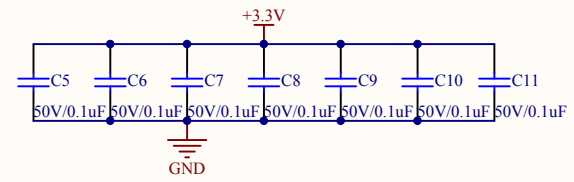
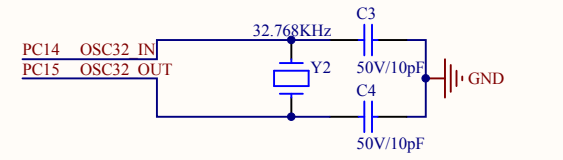
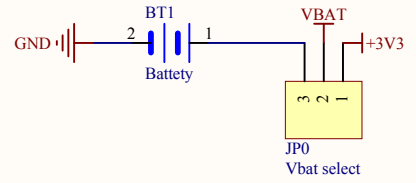
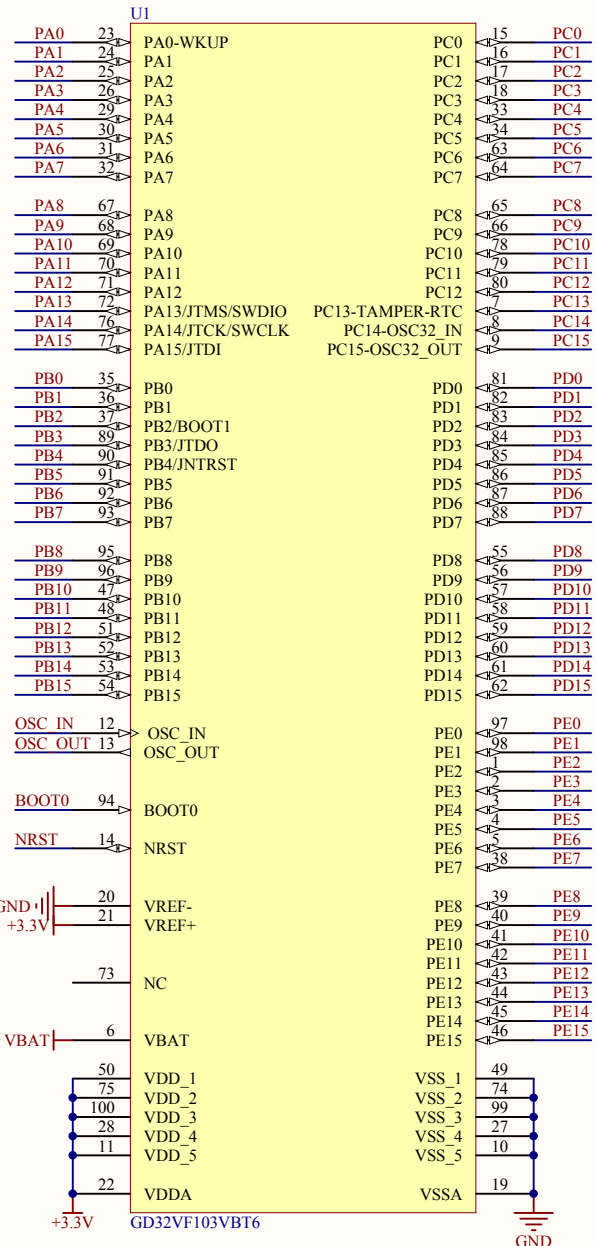
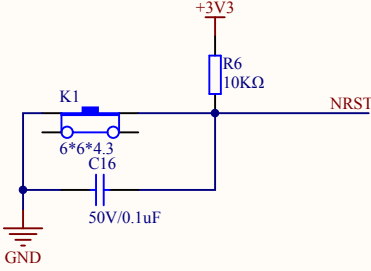
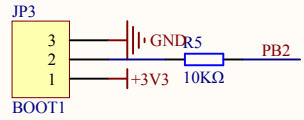
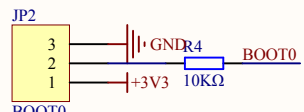
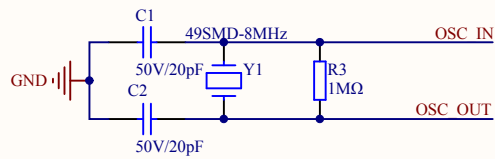
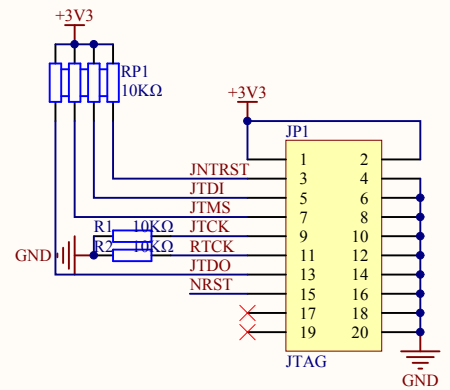


Company Name: GigaDevice		
File Name: I2C		
Revision: 1.0	Data: 2019-6	Author: XuFei

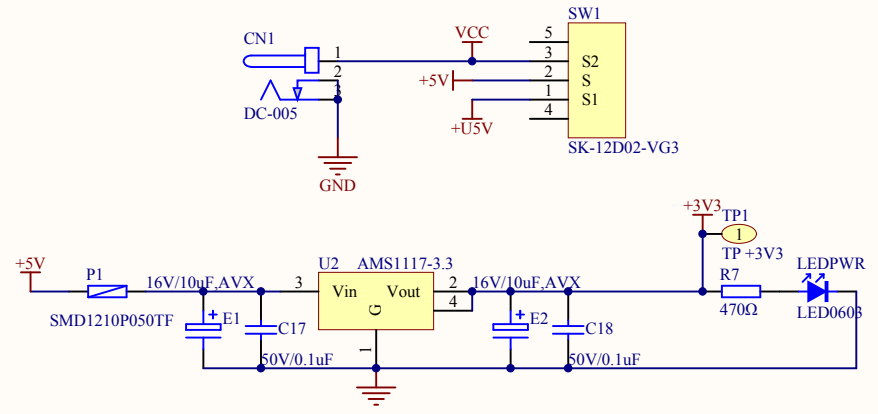


Company Name: GigaDevice		
File Name: I2S		
Revision: 1.0	Data: 2019-6	Author: Lixin

GDLink	JTAG	
L TDI	JNTRST	PB4
L TMS/IO	JTDI	PA15
L TCK/CLK	JTMS	PA13
L TDO/SWO	JTCK	PA14
L TRreset	JTDO	PB3
	NRST	



Company Name: GigaDevice		
File Name: MCU		
Revision: 1.0	Data: 2019-6	Author: XuFei



Company Name: GigaDevice

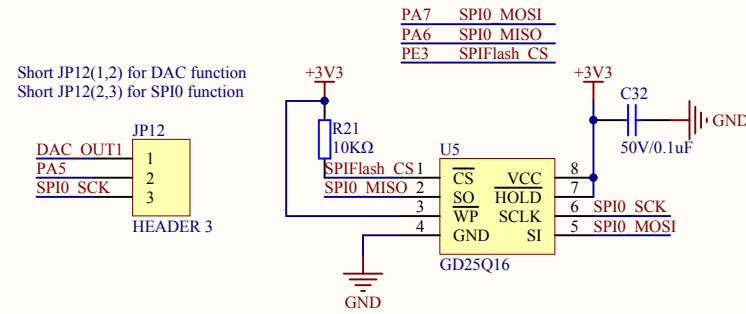
File Name: Power

Revision: 1.0

Data: 2019-6

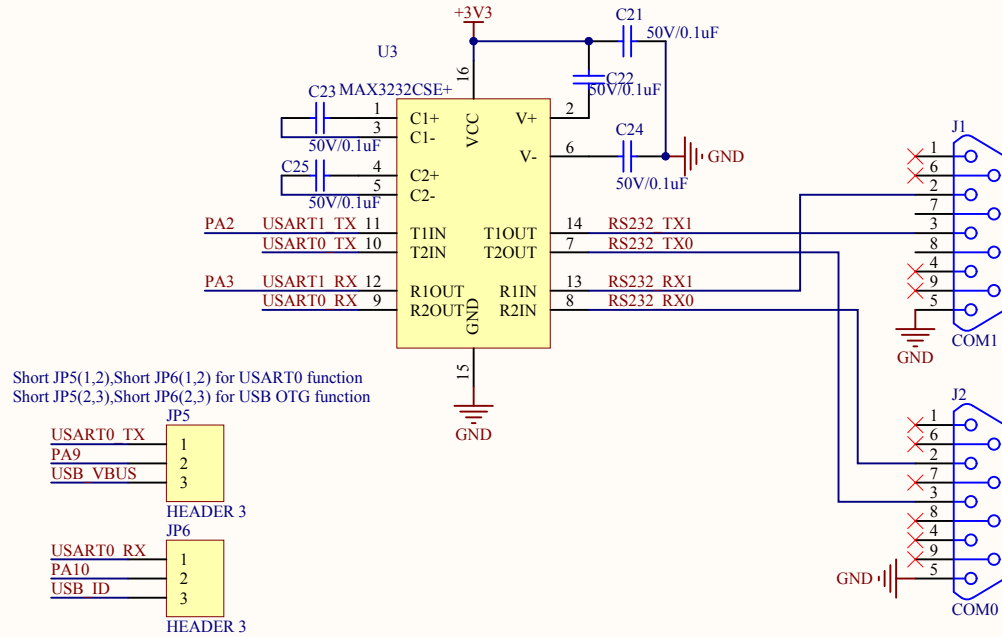
Author: XuFei

SPI Flash

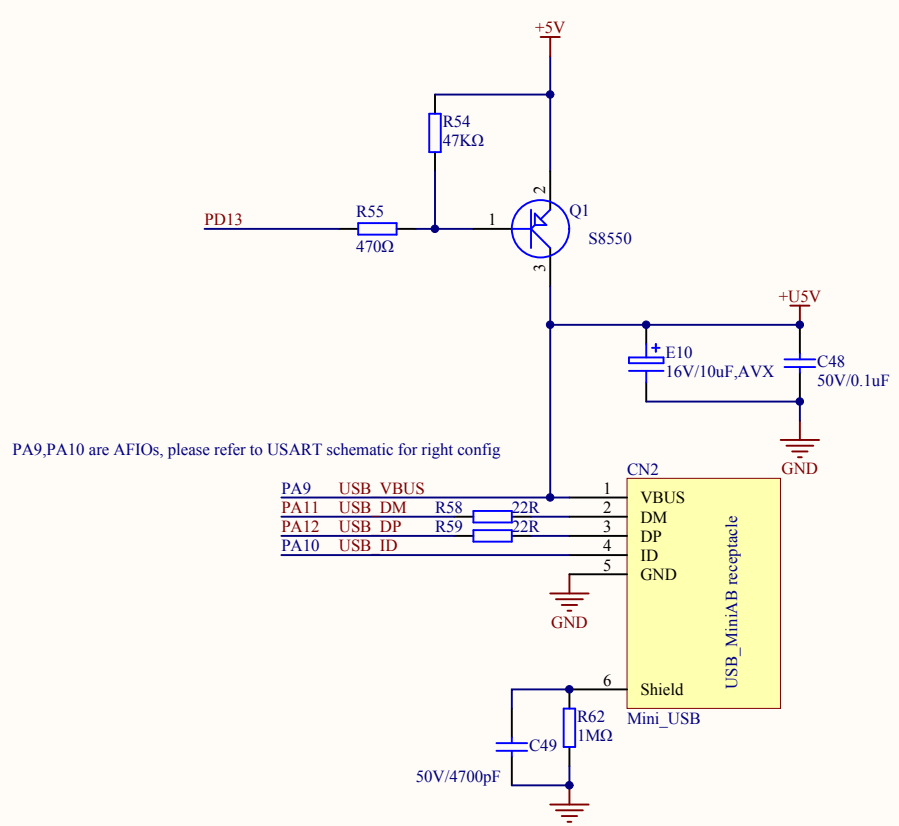


Company Name: GigaDevice		
File Name: SPI		
Revision: 1.0	Data: 2019-6	Author: XuFei

USART0/USART1



Company Name: GigaDevice		
File Name: USART		
Revision: 1.0	Data: 2013-8-20	Author: XuFei



Company Name: GigaDevice		
File Name: USB_OTG		
Revision: 1.0	Data: 2019-6	Author: Xufei

