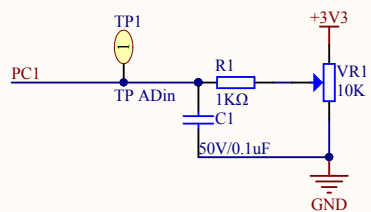
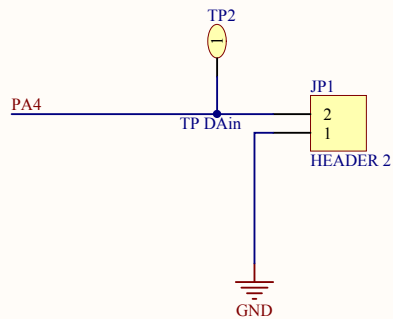


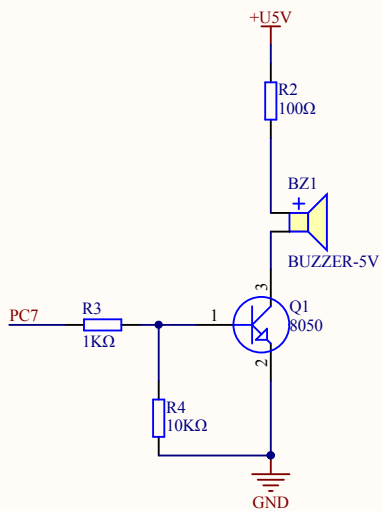
### ADC



### DAC

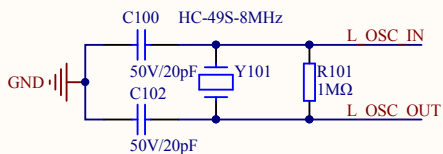
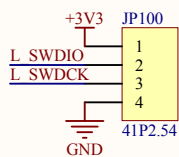


|            |                          |           |
|------------|--------------------------|-----------|
| Title      |                          |           |
| Size<br>A4 | Number                   | Revision  |
| Date:      | 2019/11/15               | Sheet of  |
| File:      | C:\Users\...AD_DA.SchDoc | Drawn By: |

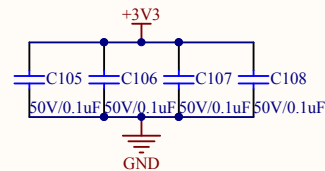
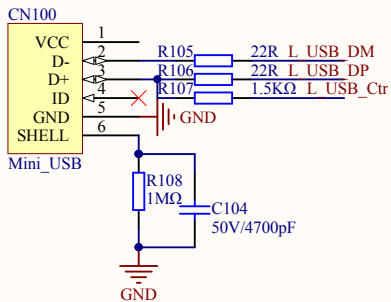
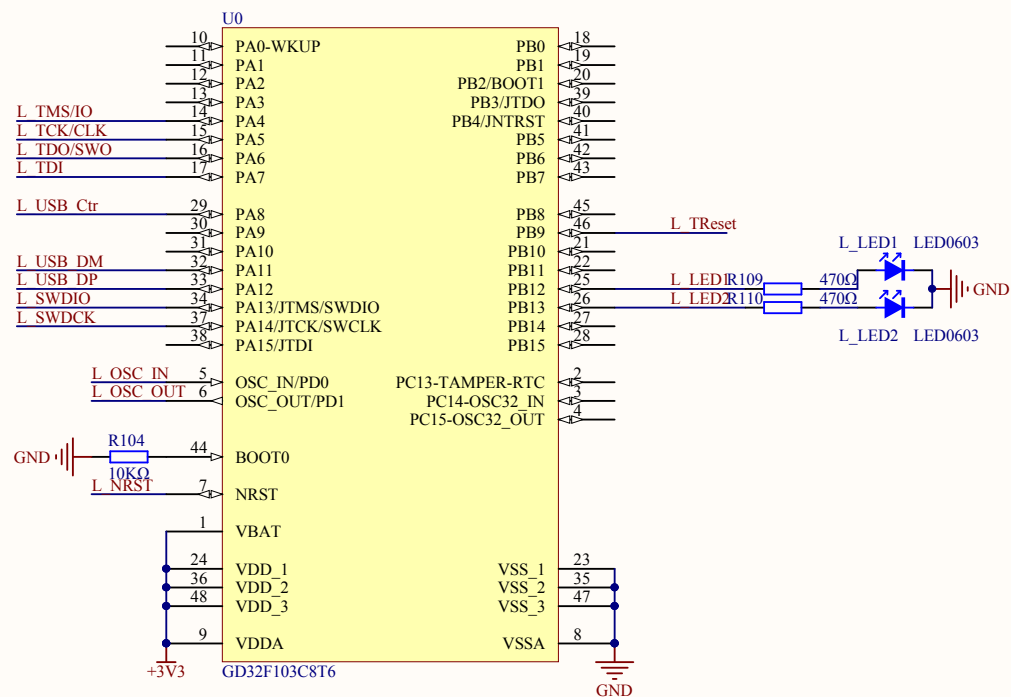
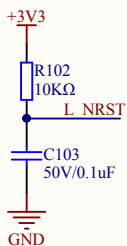


|                                   |           |          |
|-----------------------------------|-----------|----------|
| Title                             |           |          |
| Size<br>A4                        | Number    | Revision |
| Date:<br>2019/11/15               | Sheet of  |          |
| File:<br>C:\Users\...AUDIO.SchDoc | Drawn By: |          |

### MCU SWD



### Reset



Company Name: GigaDevice

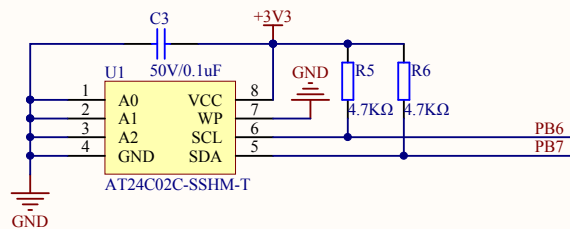
File Name: GDLink

Revision: 1.0

Data: 2015-01-09

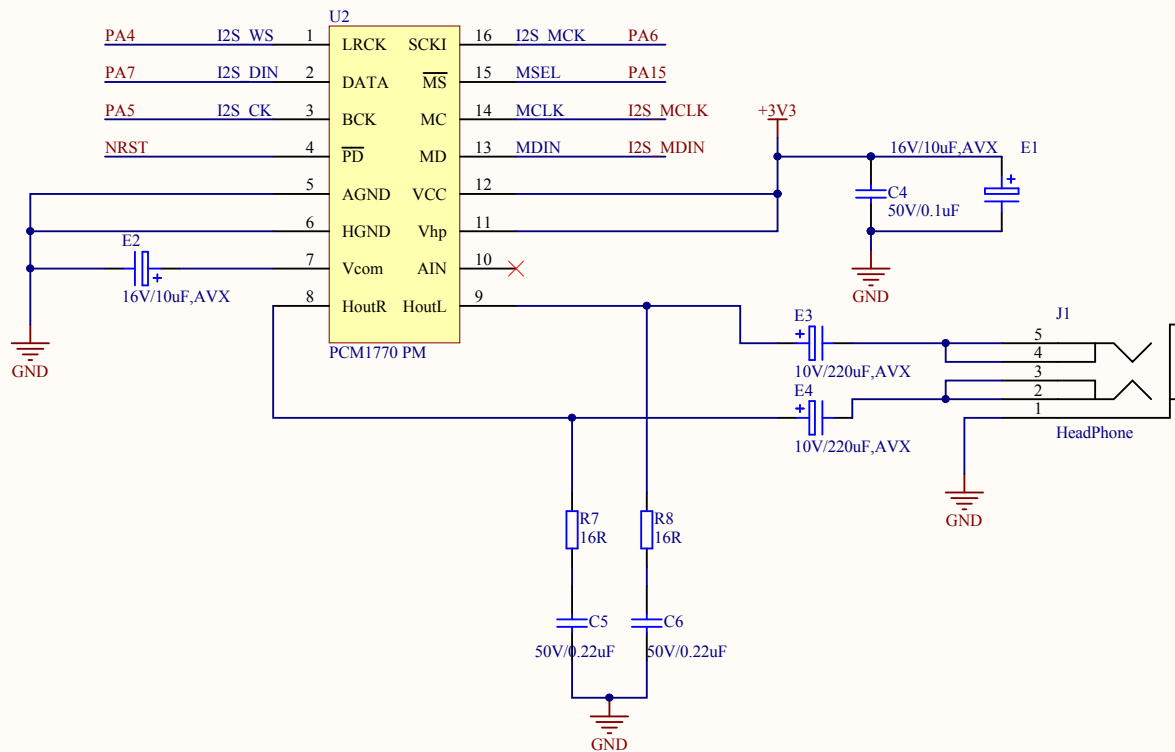
Author: XuFei

# I2C

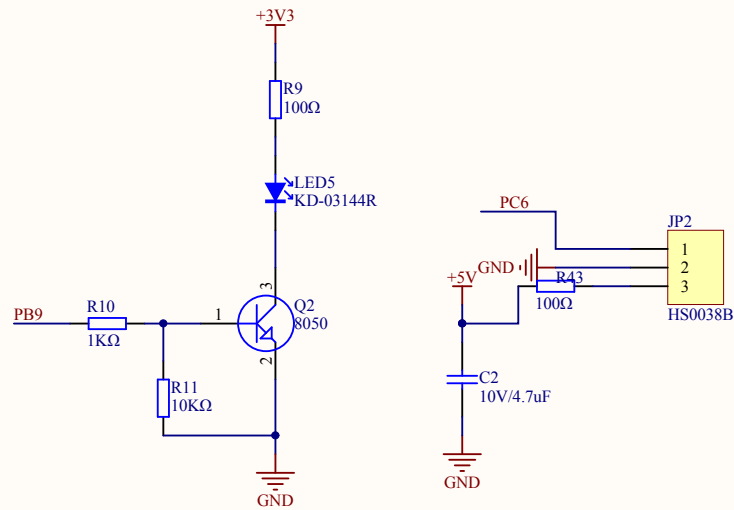


|            |                         |           |
|------------|-------------------------|-----------|
| Title      |                         |           |
| Size<br>A4 | Number                  | Revision  |
| Date:      | 2019/11/15              | Sheet of  |
| File:      | C:\Users\...\I2C.SchDoc | Drawn By: |

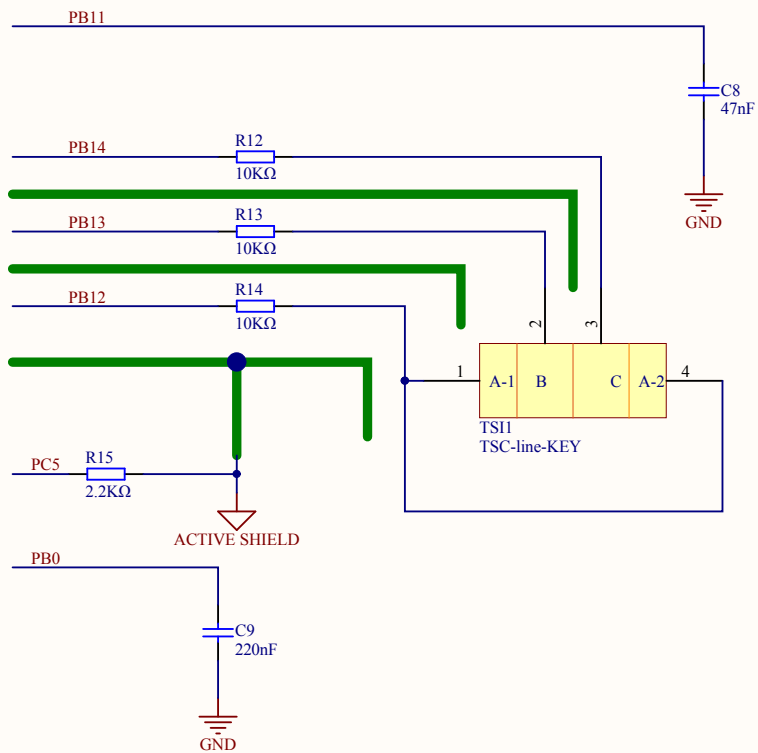
# I2S



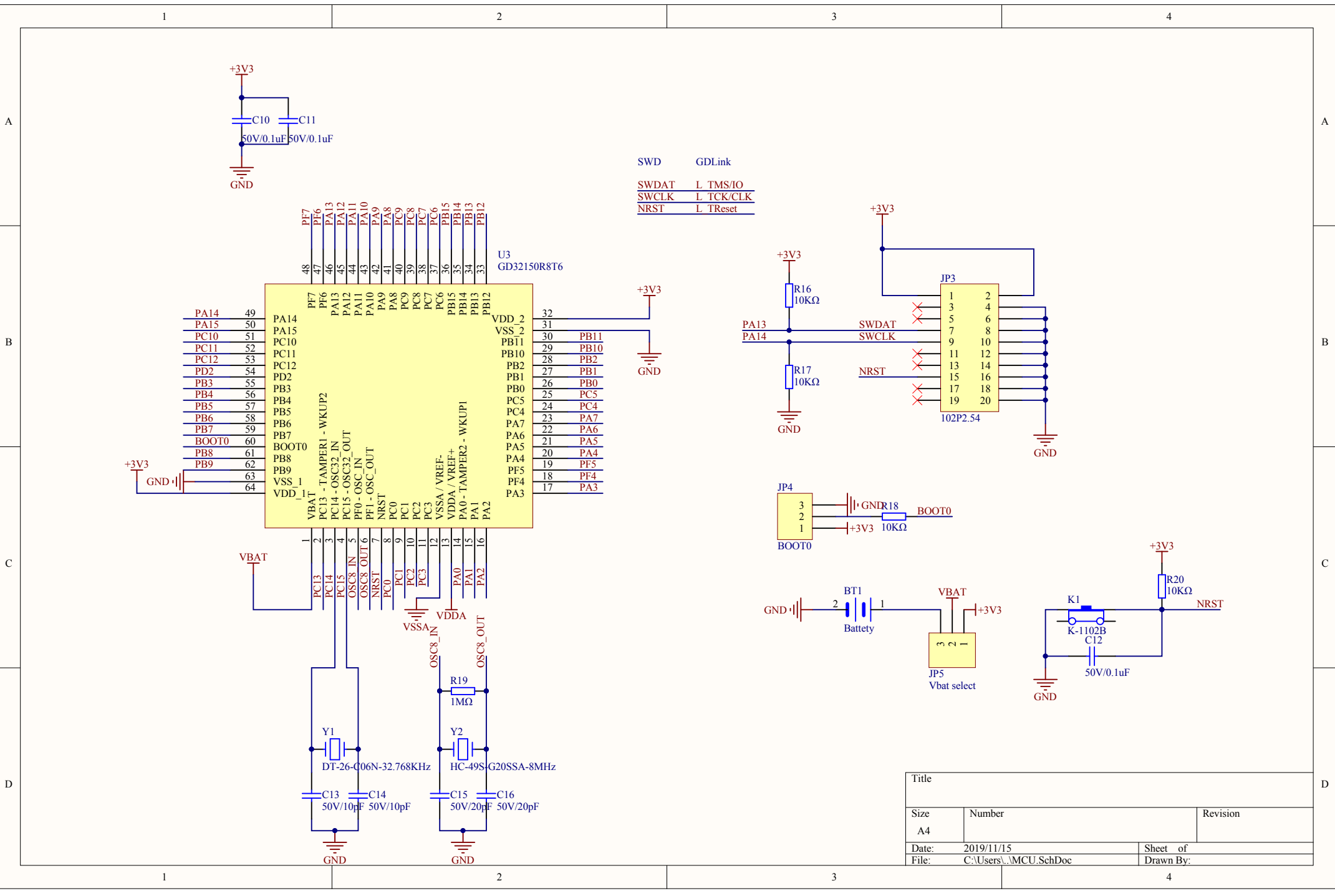
|       |                        |           |
|-------|------------------------|-----------|
| Title |                        |           |
| Size  | Number                 | Revision  |
| A4    |                        |           |
| Date: | 2019/11/15             | Sheet of  |
| File: | C:\Users\...I2S.SchDoc | Drawn By: |



|                             |           |          |
|-----------------------------|-----------|----------|
| Title                       |           |          |
| Size<br>A4                  | Number    | Revision |
| Date: 2019/11/15            | Sheet of  |          |
| File: C:\Users\...MR.SchDoc | Drawn By: |          |



|  |           |          |
|--|-----------|----------|
| Title                                      |           |          |
| Size<br>A4                                 | Number    | Revision |
| Date:<br>2019/11/15                        | Sheet of  |          |
| File:<br>C:\Users\...\Linear Sensor.SchDoc | Drawn By: |          |

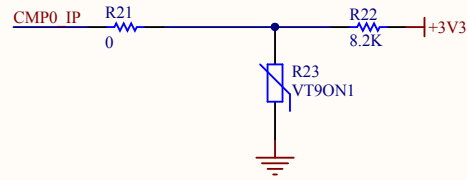


SWD      GDLink

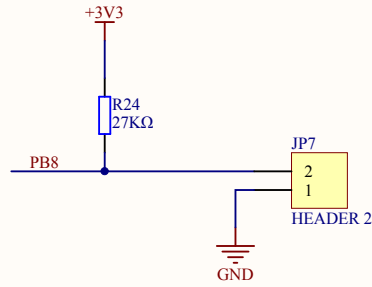
SWDAT    L TMS/IO  
 SWCLK    L TCK/CLK  
 NRST      L TRreset

|       |                        |           |
|-------|------------------------|-----------|
| Title |                        |           |
| Size  | Number                 | Revision  |
| A4    |                        |           |
| Date: | 2019/11/15             | Sheet of  |
| File: | C:\Users\...MCU_SchDoc | Drawn By: |

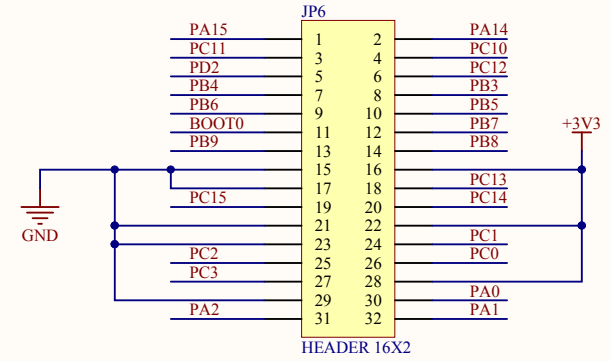




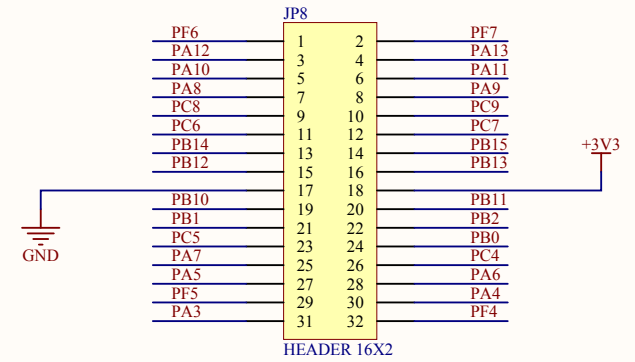
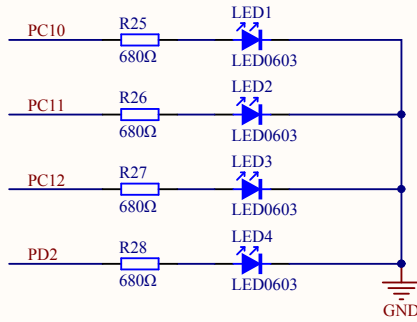
COMPARATOR



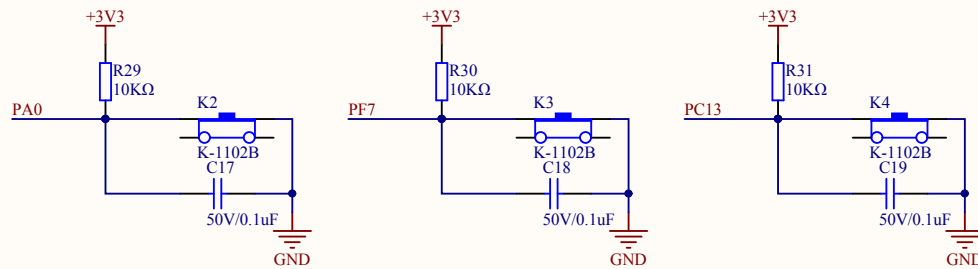
HDMI-CEC



LED

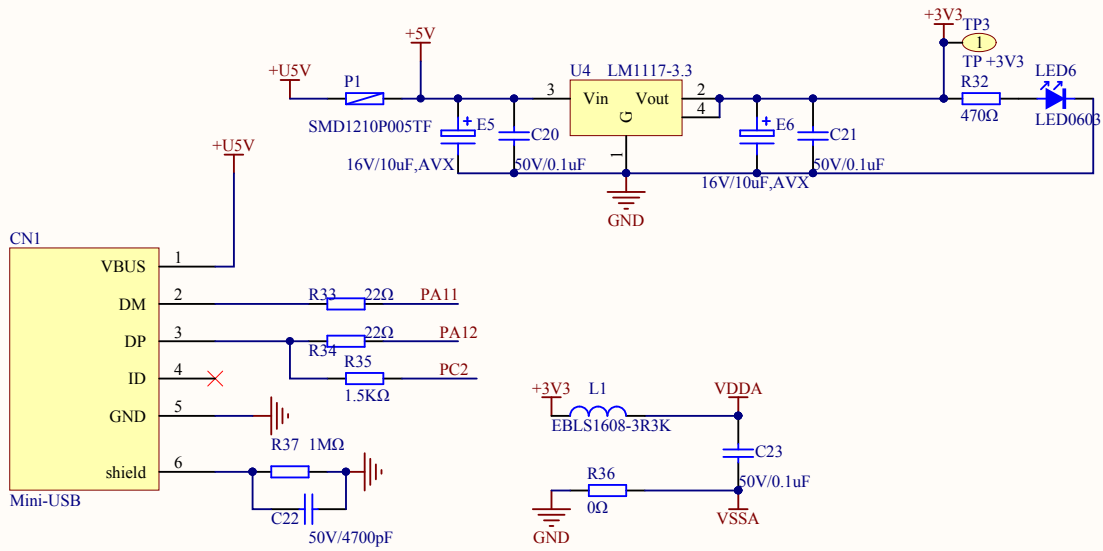


KEY



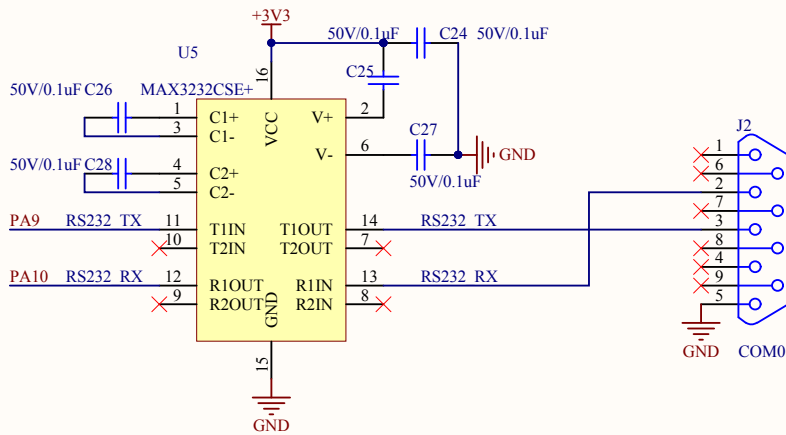
EXTENTION

|                                       |           |          |
|---------------------------------------|-----------|----------|
| Title                                 |           |          |
| Size<br>A4                            | Number    | Revision |
| Date: 2019/11/15                      | Sheet of  |          |
| File: C:\Users\...\Peripherals.SchDoc | Drawn By: |          |

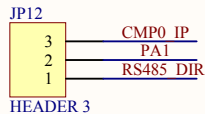
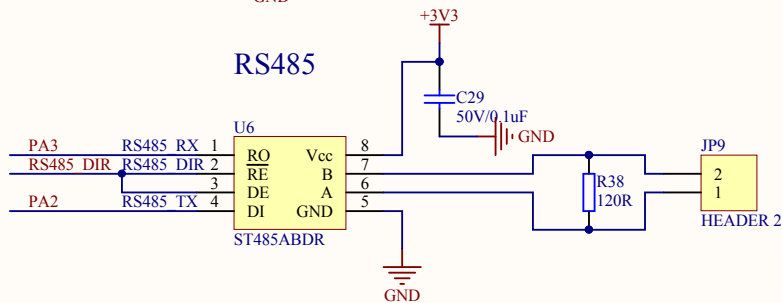


|                                    |             |          |
|------------------------------------|-------------|----------|
| Title                              |             |          |
| Size<br>A4                         | Number      | Revision |
| Date:<br>2019/11/15                | Sheet<br>of |          |
| File:<br>C:\Users\...\POWER.SchDoc | Drawn By:   |          |

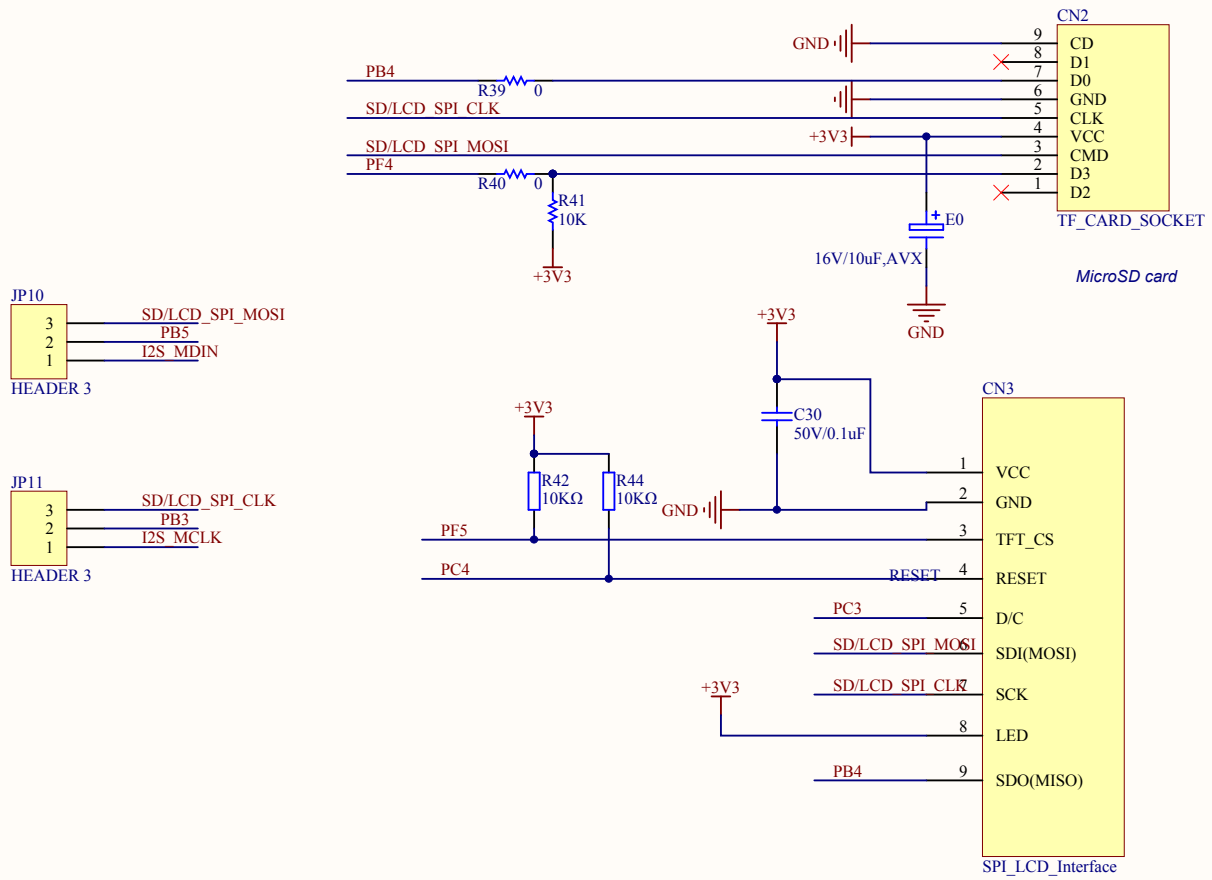
### RS232



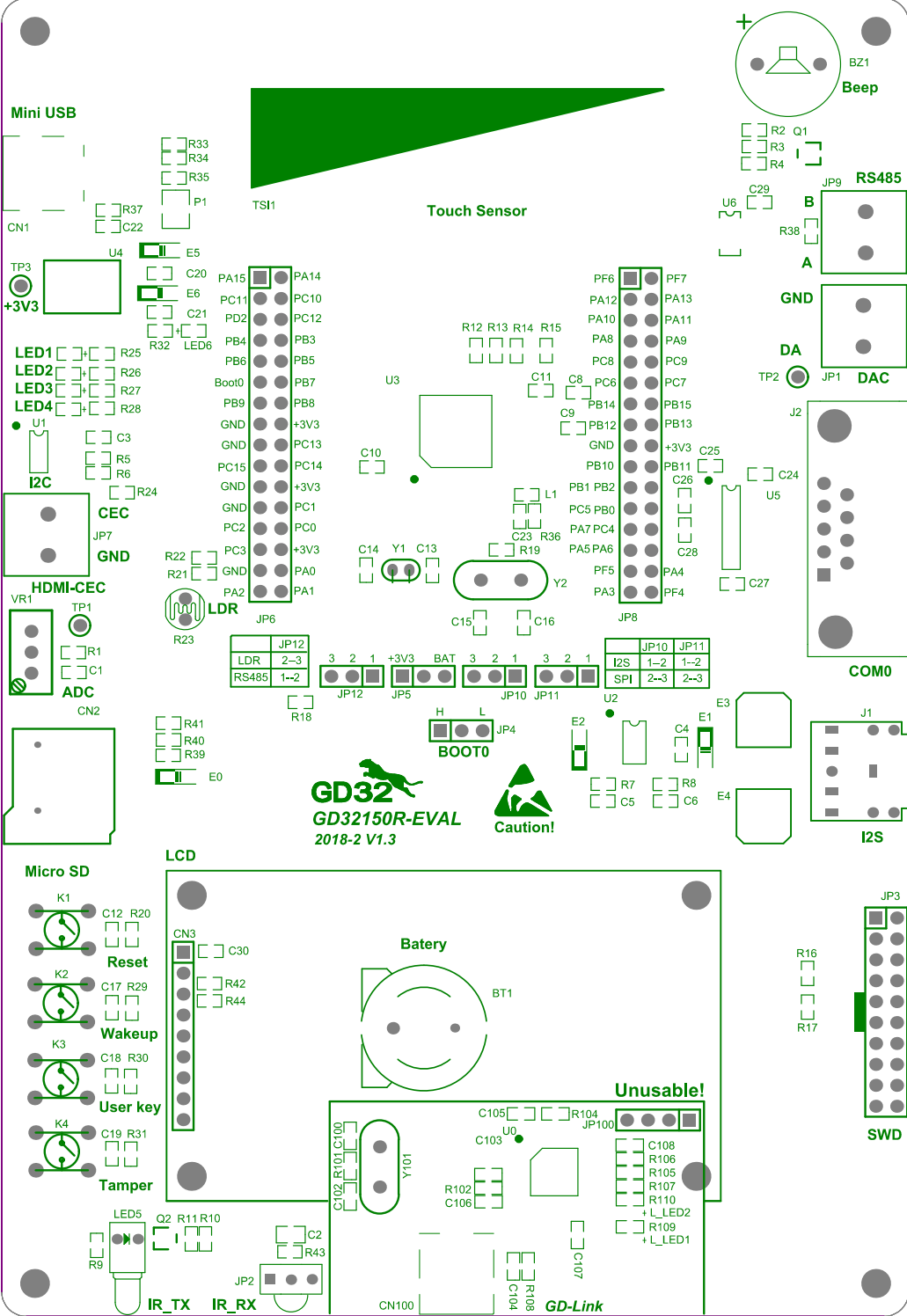
### RS485



|   |           |          |
|---|-----------|----------|
| Title                                   |           |          |
| Size<br>A4                              | Number    | Revision |
| Date:<br>2019/11/15                     | Sheet of  |          |
| File:<br>C:\Users\...RS232_RS485.SchDoc | Drawn By: |          |



|                                  |           |          |
|----------------------------------|-----------|----------|
| Title                            |           |          |
| Size<br>A4                       | Number    | Revision |
| Date:<br>2019/11/15              | Sheet of  |          |
| File:<br>C:\Users\...\SPI.SchDoc | Drawn By: |          |



**GD32**  
**GD32150R-EVAL**  
2018-2 V1.3



**Caution!**

**Unusable!**

**GD-Link**