


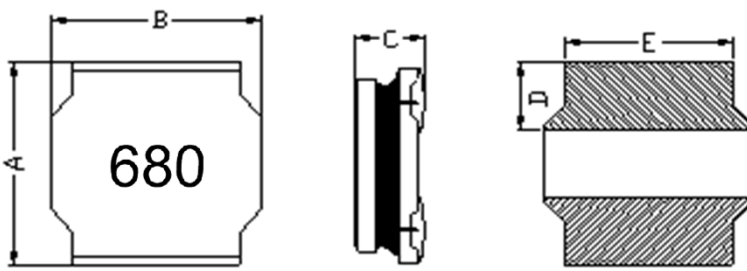
ECN HISTORY LIST

版別	ECN NO.	變更內容	變更日期	確認章
0		新版本	2022/5/4	



SPECIFICATION FOR APPROVAL

COMMODITY	SMD POWER COIL	SPEC NO.	SP-0190104019
ITEM	JNR 8040H-680M Green	版本：A	表單編號：QR-012-02

(1) DIMENSION: (UNIT: mm)		DIM.	TOL.	
	A	8.00	±0.3	
	B	8.00	±0.3	
	C	3.70	±0.3	
	D	2.40	±0.3	
	E	6.30	±0.3	

(2) ELECTRICAL CHARACTERISTIC	TEST INSTRUMENTS.
INDUCTANCE	68 ± 20% μH
TEST FREQUENCY	1 MHz
TEST VOLT	1 V
RDC	205 ± 20% mΩ
Isat	1.75 (typ) A 1.50 (max) A
Irms	1.65 (typ) A 1.50 (max) A
	<input type="checkbox"/> AGILENT 4294A Precision Impedance Analyzer. <input type="checkbox"/> AGILENT 4285A Precision L.C.R. <input type="checkbox"/> HP-4286A RF L.C.R. Meter. <input checked="" type="checkbox"/> ZENTECH 3302 Automatic Components Analyzer. <input type="checkbox"/> ZENTECH 101 L.C.R. Meter. <input type="checkbox"/> WAYNE KERR 6420 Precision Impedance Analyzer. <input checked="" type="checkbox"/> ZENTECH 1320 BIAS CURRENT. <input checked="" type="checkbox"/> ZENTECH 502AC Resistance Merter. <input type="checkbox"/> ADEX AX-1155B DC Low Ohm Meter.

REMARK :

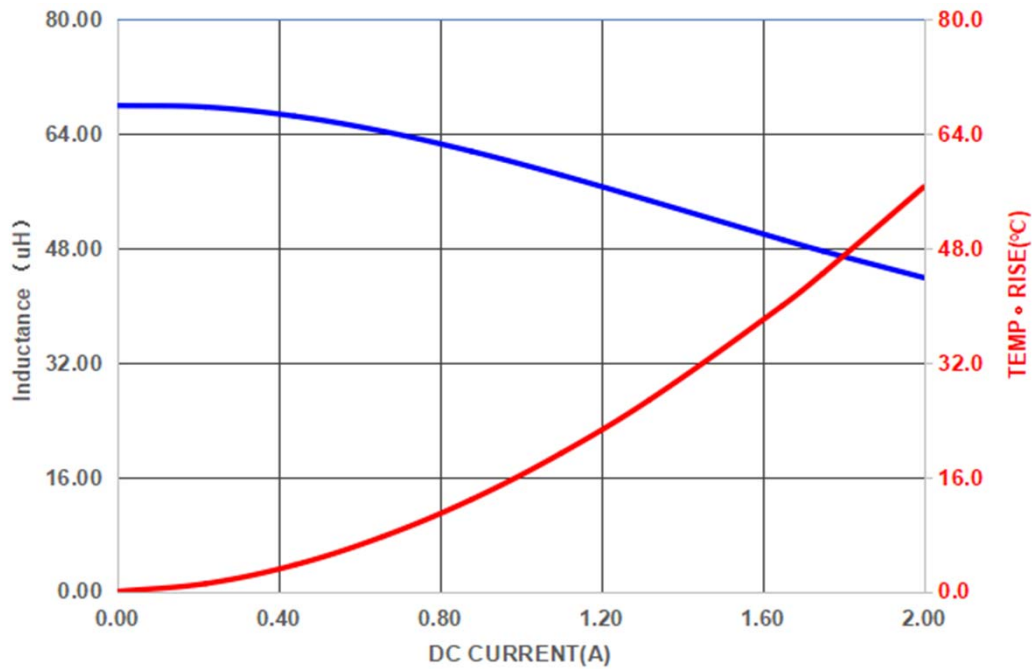
1. All test data referenced to 25°C ambient
2. Isat : Saturation Current (Isat) will cause L0 to drop approximately 30%.
3. Irms : Heat Rated Current (Irms) will cause the coil temperature rise approximately ΔT of 40°C

PURCHASER CONFIRMED	APPROVED	CHECKED	DRAWN
			

TEST REPORT

SPEC NO : SP-0190104019

Typical Performance Curves



Test Instrument :

ZENTECH 3302 Automatic Components Analyzer
ZENTECH 1320 BIAS CURRENT

Testing Condition :

Temperature : 25 to 28°C
Humidity : 60 to 70 % RH

Check by :



Test by :



TEL : 886-2-2689-4971 FAX : 886-2-2689-4260
E-mail : jantek@jantek-elec.com.tw
Web-Site : www.jantek-elec.com.tw