



# CRYSTAL OSCILLATOR

## SERIES3N, SEAM SEALED CERAMIC 3.2×2.5mm SURFACE MOUNT PACKAGE

### FEATURE

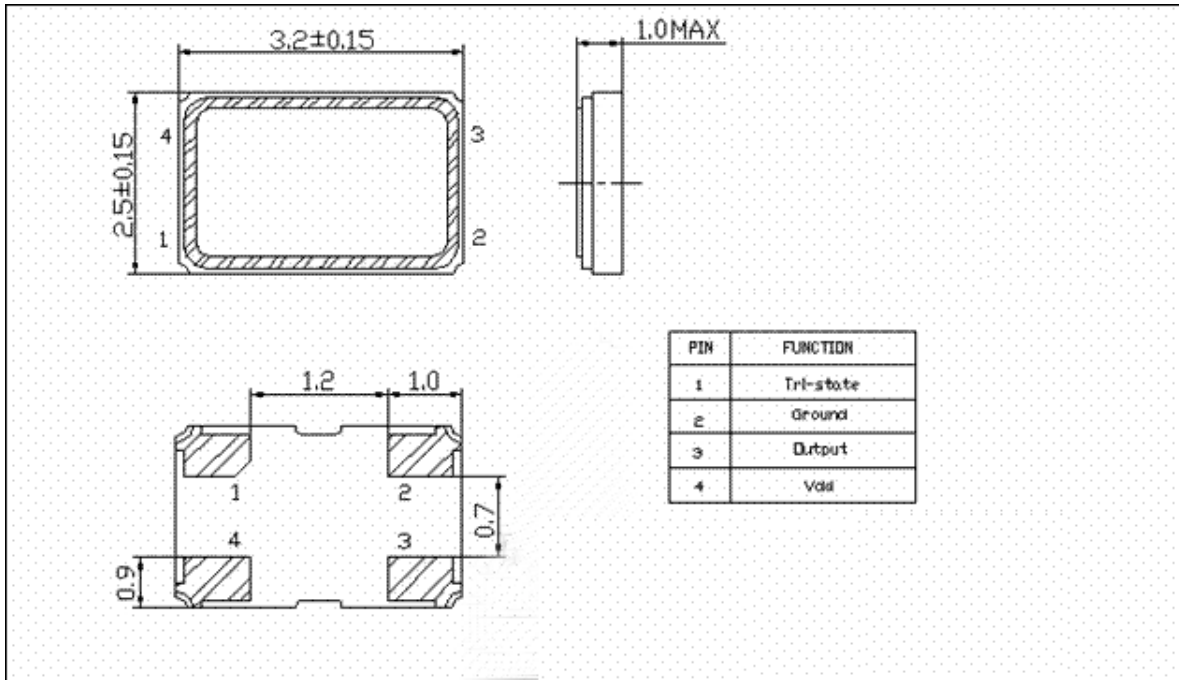
- I Broad frequency range from 1MHz to 106MHz
- I Compact and thin ceramic package with a metalized for surface mounting and automatically loaded
- I Reflow solder is possible
- I Lower noise and current with reduced power consumption
- I Built-in CMOS IC with tri-state function
- I 5V / 3.3V / 2.5V / 1.8V supply model available
- I Ideally suited designed for use in PCs, NB, PCMCIA Cards, Palmtop Computer, Portable Applications

### ELECTRICAL SPECIFICATIONS

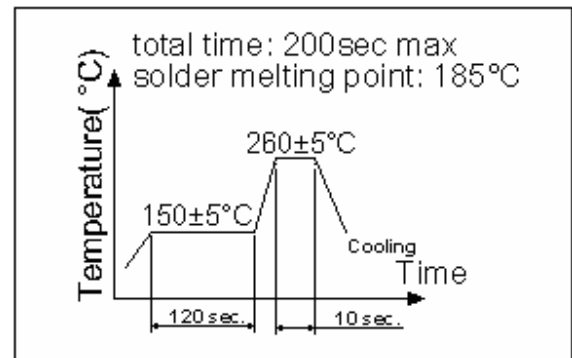
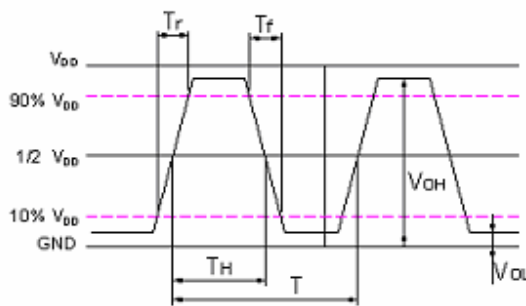
Frequency Range	1.000MHz to 106.250MHz
Frequency Stability	±25ppm / ±50ppm
Operating Temperature	-20~+70℃ / -40~+85℃
Storage Temperature	-55~+125℃
Supply Voltage	5V / 3.3V / 2.5V / 1.8V
Input Current	15mA
Output load:	15pF
Output Voltage High	90%Vdd
Output Voltage Low	10%Vdd
Rise Time	8 ns (10% → 90%VDD Level)
Fall Time	8 ns (10% → 90%VDD Level)
Symmetry (Duty ratio)	45~55%
Start-up Time	10ms
Enable Voltage High	70%Vdd
Disable Voltage Low	30%Vdd
Aging	±5ppm(1 <sup>st</sup> ,year at 25 °C
Output Disable delay Time	150us
Output Enable delay time	150us

# CRYSTAL OSCILLATOR

## DIMENSIONS



## REFLOW CONDITION



SJK -3N-	16.000 Frequency e.g: 16.000MHz	3.3 Supply Voltage: 3.0: 3.3V 5.0: 5.0V	50 Frequency Tolerance e.g: 50: ±50ppm	B Operating Temperature Range A: -10°C~+60°C B: -20°C~+70°C C: -40°C~+85°C
----------	--	---	--	--