

1

2

3

4

5

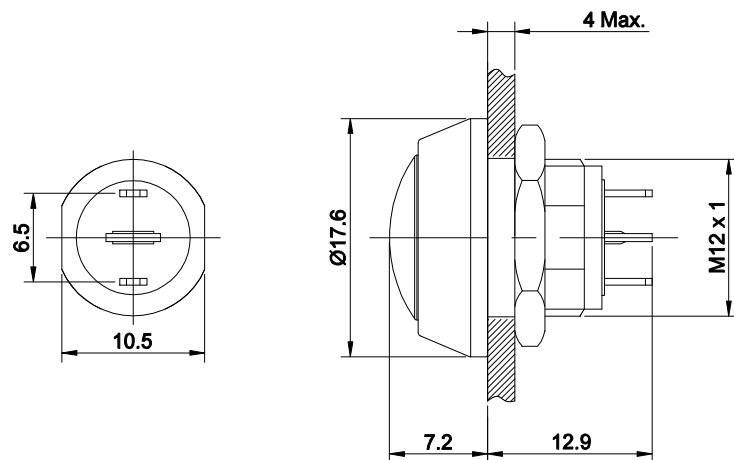
6

7

FOR
客户名称APPROVED
客户确认签字ATTN
销售负责人

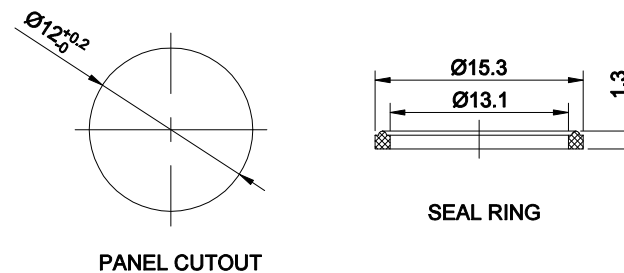
A

A



B

B

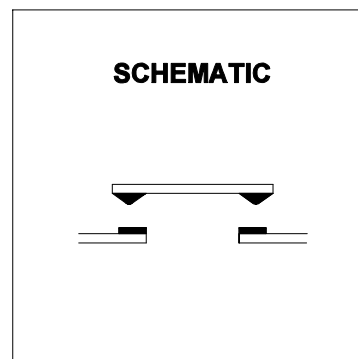


PANEL CUTOUT

SEAL RING

C

C



SCHEMATIC

PART NUMBER:GQ12B-10/J/△/A

"△"	BUTTON COLOR
R	RED
G	GREEN
Y	YELLOW
B	BLUE
W	WHITE
N	BLACK

D

D

SPECIFICATIONS:

- SWITCH RATING: $U_i:250V, I_{th}:5A$.
- MECHANICAL LIFE: $\geq 1,000,000$ cycles.
- ELECTRICAL LIFE: $\geq 50,000$ cycles.
- CONTACT RESISTANCE: $\leq 50m\Omega$.
- INSULATION RESISTANCE: $\geq 100M\Omega(500VDC)$.
- DIELECTRIC STRENGTH: 1,500V, RMS 50HZ, 1min.
- OPERATING TEMPERATURE: $-25^{\circ}C \sim +55^{\circ}C$ (NO FREEZING, KEEP THE AIR FLOWING AROUND PUSHBUTTON).
- OPERATING FORCE: ABOUT 3.5N.
- OPERATING TRAVEL: ABOUT 2mm.
- TORQUE: ABOUT 0.3Nm MAX.APPLIED TO NUT.
- FRONT PANEL PROTECTION DEGREE: IP65, IP67(CAN BE CUSTOMIZED);IK08.
- TERMINAL TYPE: PIN TERMINAL(2x0.5mm).
- GENERAL TOLERANCE:0-18mm ± 0.25 , 18-80mm ± 0.52 .

E

E

MATERIALS:

- CONTACT: SILVER ALLOY.
- BUTTON: PBT.
- BODY: \odot .
- BASE: PA.

BRAND 品牌

ONPOW 欧宝龙®

红波按钮制造有限公司

ONPOW PUSH BUTTON MANUFACTURE CO.,LTD.

TITLE 名称	GQ SERIES ANTI-VANDAL PUSH BUTTON		UNIT 单位	mm	
DWG NO. 图号	GQ12B-J锌铝合金	SCALE 比例	1.2 : 1	SIZE 图纸	A4
FILE NAME 档案名称	GQ12B锌铝合金 .DWG	DRAWN 制图	YDY 2022/09/26	SHEET 张	1/1
		REV. 更改			1

1

2

3

4

5

6

7