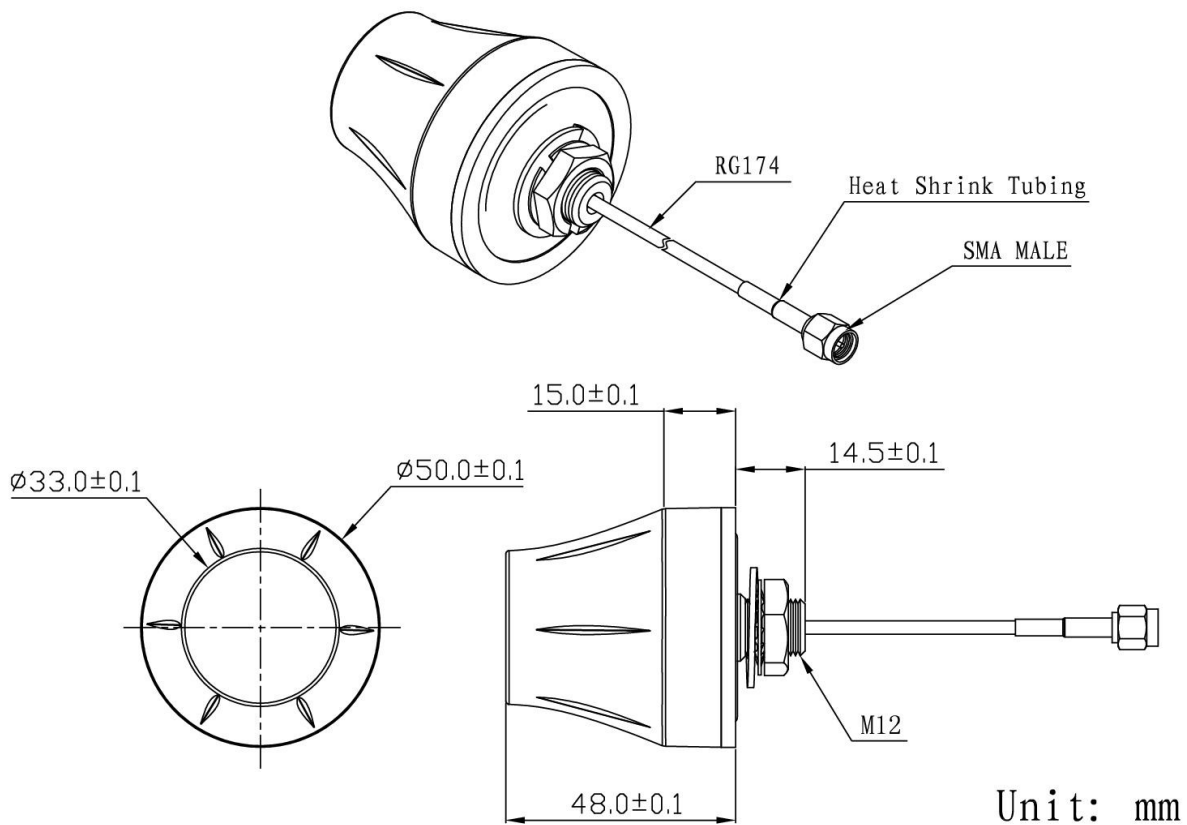


WIFI Antenna JCW058



DIMENSIONS



Zhejiang JC Antenna Co.,Ltd

Add: 398#, Zhenye Road, South Street, Jiaxing, Zhejiang, China

Http:// www.jinchanggps.com

E-mail: sale4@jinchanggps.com

Tel: 86-0573-83692157/83692605/83958637 Fax: 86-0573-83958635



Jinchang Electron Global Service

WIFI Antenna	Frequency Range	2400~2483.5MHz/4900~5825MHz
	Band Width	83.5MHz
	Polarization	Linear
	Gain	3dBi
	V.S.W.R	<2.0
	Impedance	50 Ω
Mechanical	Cable	RG174
	Connector	SMA/MCX/FAKRA or others
	Material	ABS
	Mounting Method	Screw
Environmental	Operating Temperature	-40°C~+85°C
	Relative Humidity	Up to 95%
	Ingress Protection	IP67 (exclude cable outlet)
	Vibration	10 to 55Hz with 1.5mm amplitude 2hours
	Environmentally Friendly	ROHS Compliant

Zhejiang JC Antenna Co.,Ltd

Add: 398#,Zhenye Road, South Street, Jiaxing, Zhejiang, China

Http:// www.jinchanggps.com

E-mail: sale4@jinchanggps.com

Tel: 86-0573-83692157/83692605/83958637 Fax:86-0573-83958635

Radiation Pattern

WIFI Antenna

