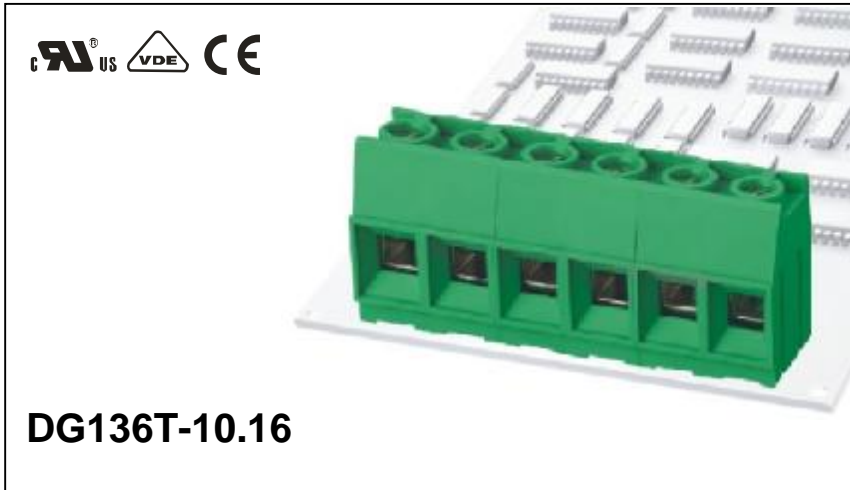




DEGSON ELECTRONICS CO., LTD.

Product Specification



APPROVAL		
Electrical	UL	IEC
Standard	300V	1000V
Rated voltage	60A	65A
Rated current	20-6AWG	2.5-16mm ²
Wire range	AC3500V/1Min	
Withstanding voltage		

Mechanical	
Torque	1.2Nm(10.5Lb-In)
Ambient temperature	-40°C~+105 °C
Strip length	10mm

Dimensions	
pitch	10.16mm(. 400")
Poles	2P,3P-24P

Material	
Housing	PA66,UL94V-0
Screws	M4,Steel, Cr ³⁺ Niplated
Pin header	Copper,Tin-plated
Case	Brass,Ni-plated

HOW TO ORDER :

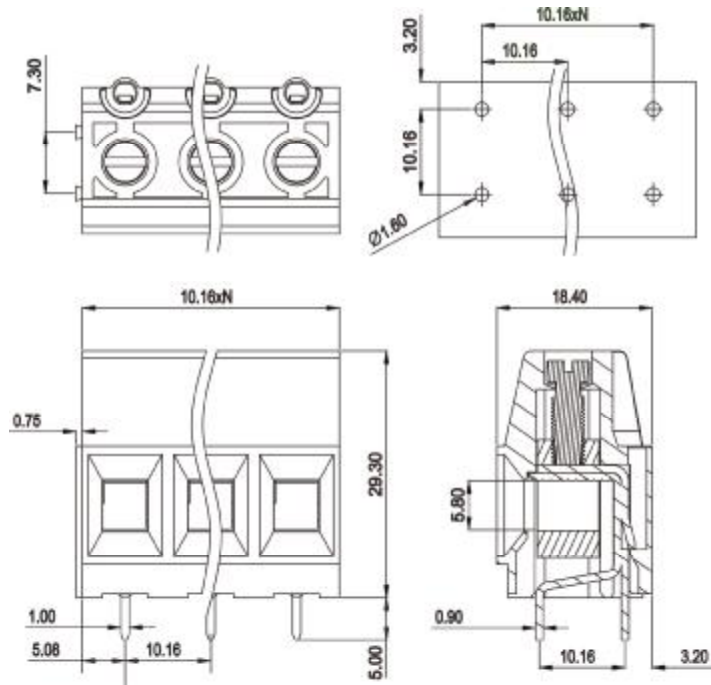
- **P** - -

X	X	X
Customer Request		

Series number **No. of pole** **Color**

1	Single pitch
2	Double pitch

1	Grey	4	Green	7	Trans Parent
2	Blue	5	Orange	8	Yellow
3	Black	6	Red	9	White



 THROANGLE PROJECTION	 DEGSON ELECTRONICS CO., LTD. NAME DG136T-10.16
--------------------------	--