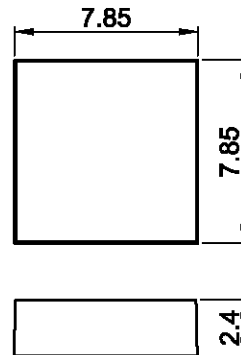
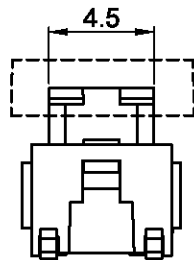
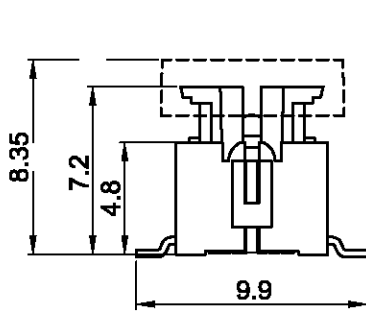
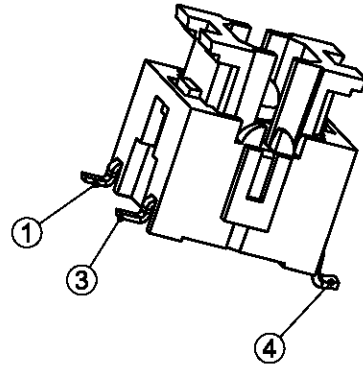
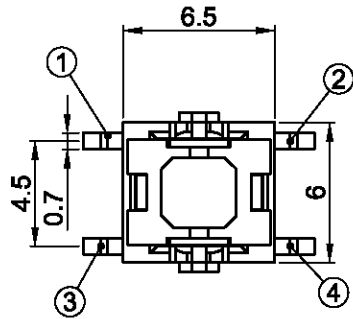
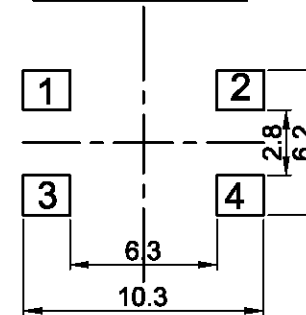


惠州宏利源电器有限公司
HONYONE ELECTRICAL APPLIANCE CO.,LTD

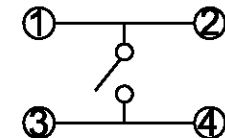
TS2



P.C.B. LAYOUT



CIRCUIT



Switch Specifications

- Circuit :SPST
- Current rating :50mA
- Voltage rating :12VDC
- Dielectric withstanding voltage :250VAC for 1 minute
- Contact resistance :30mΩ Max. (Initial)
- Insulation resistance :100MΩ Min.
- Operating force :250± 50gf
- :180± 50gf
- Total travel :0.25mm± 0.1mm
- Operating life :100,000 cycles Min
- Solder specifications :256° C for 5 seconds
- Function :Momentary
- Operating temperature :-20° C ~ +70° C
- Welding method :Manual Soldering
(350° C± 5° C, 3s± 0.5s)
:Reflow soldering

MATERIAL:

- Base Frame: Nylon66, UL rated:94 V-2. ;
- Actuator: PBT, UL rated:94 V-0. ;
- Cap: ABS ;
- Terminal: Brass, Silver or Tin plated .

				公差 TOLERANCES		.X±0.3	.XX±0.15	角度 ANGLE ±1°		单位 DIMENSION UNIT	mm.
				视角 VIEWING ANGLE		比例尺 SCALE	NONE	日期 DATE	2017. 12. 21	品名 TITLE	图号 DRAWING NO
A0	New Issue	2017. 12. 21	N/A	核准	Richard	核对	Sinc	绘图	Mashaofei	TS2-00-1RN-0N-41P(上盖分开)	TS2-00-1RN-0N-41P_A(上盖分开)
版本 VER.	变更说明 CHANGE DESCRIPTION	日期 DATE	ECN NO.	APPROVED BY		CHECKED BY		DRAWN BY			