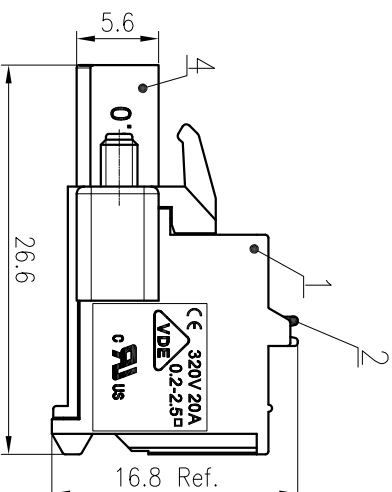
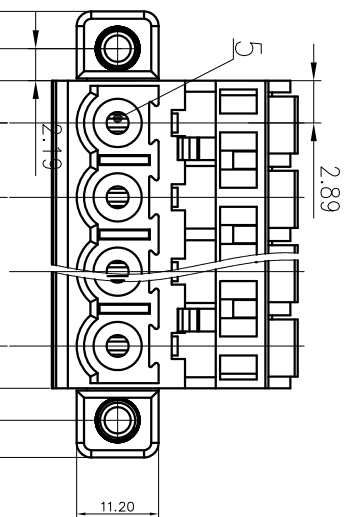
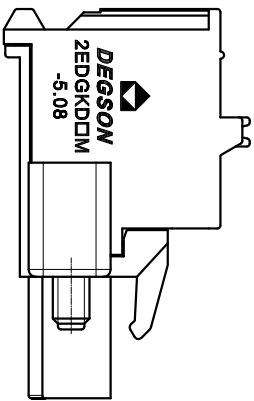
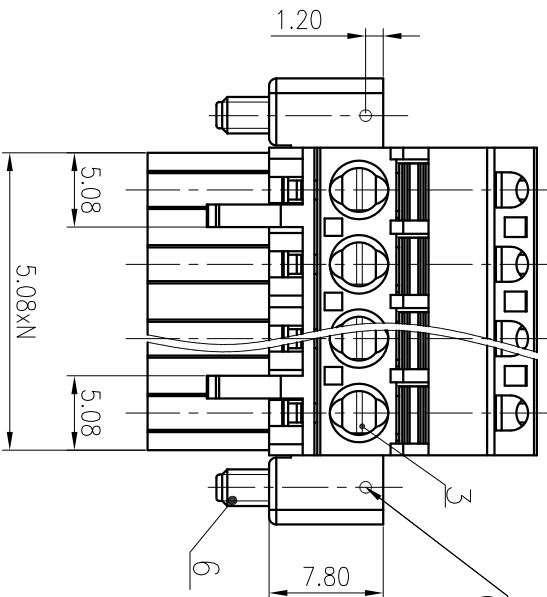


Drill hole
(Max $\varnothing 0.8 \times 0.5 \text{mm}$) * 2



公差等级/General Tolerances(mm)		公差等级/General Tolerances(mm)	
0	>3	>18	>30
1	>6	>18	>30
2	>10	>18	>30
3	>18	>30	>50
4	>30	>50	>80
5	>50	>80	>120
6	>80	>120	>180
7	>120	>180	>250
8	>180	>250	>315
9	>250	>315	>400
10	>315	>400	>500
11	>400	>500	>630
12	>500	>630	>800
13	>630	>800	>1000
14	>800	>1000	>1250
15	>1000	>1250	>1600
16	>1250	>1600	>2000
17	>1600	>2000	>2500
18	>2000	>2500	>3150
19	>2500	>3150	>4000
20	>3150	>4000	>5000
21	>4000	>5000	>6300
22	>5000	>6300	>8000
23	>6300	>8000	>10000
24	>8000	>10000	>12500
25	>10000	>12500	>16000
26	>12500	>16000	>20000
27	>16000	>20000	>25000
28	>20000	>25000	>31500
29	>25000	>31500	>40000
30	>31500	>40000	>50000
31	>40000	>50000	>63000
32	>50000	>63000	>80000
33	>63000	>80000	>100000
34	>80000	>100000	>125000
35	>100000	>125000	>160000
36	>125000	>160000	>200000
37	>160000	>200000	>250000
38	>200000	>250000	>315000
39	>250000	>315000	>400000
40	>315000	>400000	>500000
41	>400000	>500000	>630000
42	>500000	>630000	>800000
43	>630000	>800000	>1000000
44	>800000	>1000000	>1250000
45	>1000000	>1250000	>1600000
46	>1250000	>1600000	>2000000
47	>1600000	>2000000	>2500000
48	>2000000	>2500000	>3150000
49	>2500000	>3150000	>4000000
50	>3150000	>4000000	>5000000
51	>4000000	>5000000	>6300000
52	>5000000	>6300000	>8000000
53	>6300000	>8000000	>10000000
54	>8000000	>10000000	>12500000
55	>10000000	>12500000	>16000000
56	>12500000	>16000000	>20000000
57	>16000000	>20000000	>25000000
58	>20000000	>25000000	>31500000
59	>25000000	>31500000	>40000000
60	>31500000	>40000000	>50000000
61	>40000000	>50000000	>63000000
62	>50000000	>63000000	>80000000
63	>63000000	>80000000	>100000000
64	>80000000	>100000000	>125000000
65	>100000000	>125000000	>160000000
66	>125000000	>160000000	>200000000
67	>160000000	>200000000	>250000000
68	>200000000	>250000000	>315000000
69	>250000000	>315000000	>400000000
70	>315000000	>400000000	>500000000
71	>400000000	>500000000	>630000000
72	>500000000	>630000000	>800000000
73	>630000000	>800000000	>1000000000
74	>800000000	>1000000000	>1250000000
75	>1000000000	>1250000000	>1600000000
76	>1250000000	>1600000000	>2000000000
77	>1600000000	>2000000000	>2500000000
78	>2000000000	>2500000000	>3150000000
79	>2500000000	>3150000000	>4000000000
80	>3150000000	>4000000000	>5000000000
81	>4000000000	>5000000000	>6300000000
82	>5000000000	>6300000000	>8000000000
83	>6300000000	>8000000000	>10000000000
84	>8000000000	>10000000000	>12500000000
85	>10000000000	>12500000000	>16000000000
86	>12500000000	>16000000000	>20000000000
87	>16000000000	>20000000000	>25000000000
88	>20000000000	>25000000000	>31500000000
89	>25000000000	>31500000000	>40000000000
90	>31500000000	>40000000000	>50000000000
91	>40000000000	>50000000000	>63000000000
92	>50000000000	>63000000000	>80000000000
93	>63000000000	>80000000000	>100000000000
94	>80000000000	>100000000000	>125000000000
95	>100000000000	>125000000000	>160000000000
96	>125000000000	>160000000000	>200000000000
97	>160000000000	>200000000000	>250000000000
98	>200000000000	>250000000000	>315000000000
99	>250000000000	>315000000000	>400000000000
100	>315000000000	>400000000000	>500000000000

ITEM	NAME OF PART	MATERIAL	NOTES
6	Screw	Steel	Zn Plated
5	Spring	Stainless steel	
4	Clamp	Copper Alloy	Sn Plated
3	Button	PA66	UL94V-0
2	Cover	PA66	UL94V-0
1	Housing	PA66	UL94V-0

UL 标准 / UL Standard:	B	C	D
额定电压/电压/Rated Voltage(V)/Current(A)	300/10	300/10	300/10
IEC 标准 / IEC Standard:			
过压类别 / Overvoltage Category / 污染等级 / Pollution Degree	III/2		
额定电压/电压/Rated Voltage(V)/Current(A)	320/20		
额定冲击电压(KV)/Rtdt Impulse Voltage(KV)	4.0		
螺丝扭矩/Torque Tightening(N·m/Lb·in)	M2.5 0.4/3.54		
导线范围(硬线和软线)/Wire Range(rigid and flexible)(mm ² /AWG)	0.2~2.5/26~12		
可焊长度/Stripping length(mm)	5.08/N=02~24P		
使用温度范围/Operating temperature(°C)	-40~+105		
符合RoHS环保要求/Conform to RoHS	Yes		

MATERIAL: / SURFACE: /

MAT NO.: /
STATUS: /
APPD: LIGL 2020.06.13
CHKD: MofEK 2020.06.13
DRFT: CK 2019.02.28

NAME: 宁波高松电子有限公司
NINGBO DEGSON ELECTRICAL CO., LTD

DRAWING NO.: ZEDGKDAM-5.08-C01
TYPE: CUSTOMER DRAWING
SCALE: 2:1
SHEET: 1/1

REV	ECN	DESCRIPTION	DRFT	DATE

