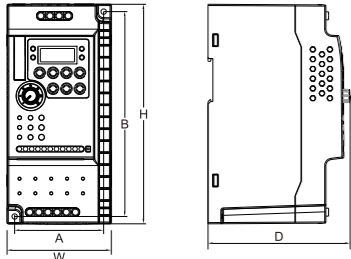
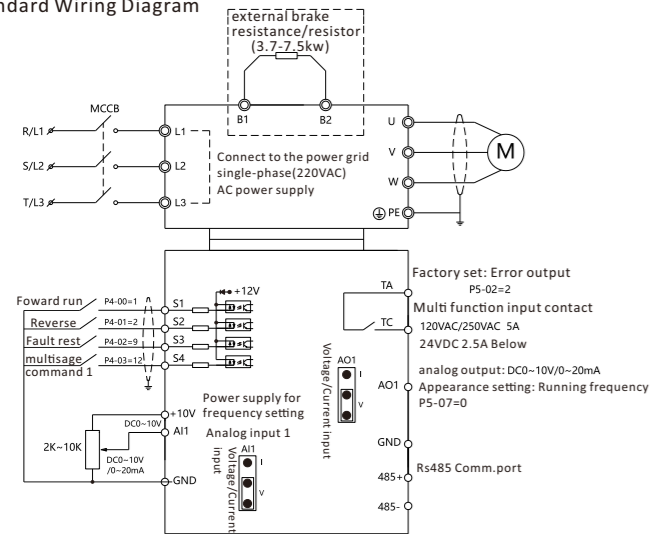


1. Outsize



Voltage	Model type	Power(kW)	Install size(mm)				Install hole	
			A	B	W	H		
Single phase 220V	EV200-0400G-S2	0.4	60	129	73	143	112.6	Φ4.4
	EV200-0750G-S2	0.75						
	EV200-1500G-S2	1.5						
	EV200-2200G-S2	2.2						
	EV200-0750G-T3	0.75						
Three phase 380V	EV200-1500G-T3	1.5	73	168	85.5	180	116.4	Φ4.4
	EV200-2200G-T3	2.2						
	EV200-3700G-T3	3.7						
	EV200-5500G-T3	5.5						

2. Standard Wiring Diagram



Wiring instructions

Terminal symbol	Function description
E	Grounding terminal
L1, L3	Connect to the power grid single-phase (220Vac) AC power supply
L1, L2, L3	Connected to the grid three-phase (380Vac) AC power supply
U, V, W	Connect a three-phase AC motor
B1	Filter capacitor DC side voltage positive terminal
B2	A DC braking resistor can be connected directly to B1

3. Technical specifications

Item	Specification
Carrier frequency	Vector control: 0~500Hz; V/F control: 0~500Hz
Carrier frequency resolution	Digital setting: 0.01Hz Analog setting: maximum frequency × 0.025%
control mode	without PG Vector(SVC), Feedback vector(FVC) and V/F control
Start torque	G type: 0.5Hz/150% (SVC) ; 0Hz/180% (FVC) P type: 0.5Hz/100%
Speed range	1: 100 (SVC) ; 1: 1000 (FVC)
Speed control accuracy	±0.5% (SVC) ; ±0.02% (FVC)
Torque control accuracy	±5% (FVC)
Overload capacity	G type: 150% rated current 60sec; 180% rated current 3sec

4. Function Parameters Table

When PP-00 is set as a non-zero value, that is, the parameter protection password is set. In the function parameter and the user changes the parameter mode, the parameter menu must enter the password correctly. It can cancel the password protection function by setting PP-00 as 0. The parameter menu in user-defined parameter mode is not password protected. Group P and A include basic function parameters, group d includes the monitoring function parameters. The symbols in the function code table are described as follows: "☆": it is possible to modify the parameter when the drive in the stop or in the run status; "★": impossible; "★": the parameter is the actual measured value and can not be modified. "★": the parameter is a "factory parameter", can be set only by the manufacturer, prohibit the user to operate.

Function Code	Name	Setting Range	Default	Modify
P0 Group: Basic Function				
P0-01	Motor 1 control mode	0: No speed sensor vector control (SVC) 1: Speed sensor vector control (FVC) 2: V/F control	2	★
P0-02	Command source selection	0: Operation panel instruction channel 1: Terminal command channel 2: communication command channel	0	☆
P0-03	Main frequency reference setting A channel selection	0: digital setting (preset frequency P0-08, UP/DOWN can be modified, power is not memory) 1: digital setting (preset frequency P0-08, UP/DOWN can be modified, power-down memory) 2: AI1 (Note: J4 jumper in the PANEL and AI1 connected to the keyboard potentiometer input, PORT and AI1 connected to the external terminal AI1 input) 3: AI2 4: AI3 5: High-speed pulse Inputsetting (S5) 6: multi-segment instructions 7: Simple PLC 8: PID 9: communication given 10: Reserved	2	★
P0-04	Auxiliary frequency source B command input selection	With P0-03 (main frequency source A instruction input selection)	0	★
P0-05	Auxiliary frequency source B Reference object selection	0: relative to maximum frequency 1: relative to frequency source A	0	☆
P0-06	Auxiliary frequency source B command range	0%~150%	100%	☆
P0-07	Frequency source combination mode selection	Bit: frequency source selection 0: Main frequency source A 1: main and auxiliary operation results (operation relationship determined by ten) 2: Main frequency source A and auxiliary frequency source B switch 3: Main frequency source A and master and slave operation result switching 4: auxiliary frequency source B and master and slave operation result switching Ten: frequency source main and auxiliary operation relationship 0: main + auxiliary 1: main - auxiliary 2: the two maximum 3: the two minimum	00	☆
P0-08	Preset frequency	0.00Hz~max(P0-10) frequency	50.00Hz	☆
P0-09	Running direction	0: same direction 1: opposite direction	0	☆
P0-10	Max.output frequency	50.00Hz~500.00Hz	50.00Hz	★
P0-11	Setting channel of frequency upper limit	0: P0-12 is set 1: AI1(Not:J6 jumper) 2: AI2 3: AI3 4: High-speed pulse setting (S5) 5: communication given	0	★
P0-12	Frequency reference upper limit	Upper limit P0-10 P0-14~max frequency	50.00Hz	☆
P0-13	Frequency reference upper limit offset	0.00Hz~frequency max. P0-10	0.00Hz	☆
P0-14	Frequency Reference lower limit	0.00Hz~frequency upper limit P0-12	0.00Hz	☆
P0-15	Carrier frequency	0.8KHz~12.0KHz	Model dependent	☆
P0-16	Carrier frequency adjusted with temperature	0: Disabled 1: Enabled	1	☆
P0-17	Acceleration time 1	0.00s~65000s	Model dependent	☆
P0-18	Deceleration time 1	0.00s~65000s	Model dependent	☆
P0-19	Acceleration/Deceleration time unit	0: 1s 1: 0.1s 2: 0.01s	1	★
P0-21	Frequency offset of auxiliary frequency setting channel for main and auxiliary calculation	0.00Hz~max.frequency P0-10	0.00Hz	☆
P0-22	Frequency reference resolution	2: 0.01Hz	2	★
P0-23	Retentive of digital setting frequency upon stop	0: do not remember 1: memory	1	☆
P0-24	Motor parameter group selection	0: 1st motor parameter 1: 2nd motor parameter	0	★
P0-25	Acceleration/Deceleration time base frequency	0: maximum (P0-10) 1: Set frequency 2: 100Hz frequency	0	★
P0-26	Base frequency for UP/DOW modification during running	0: Run frequency 1: Set frequency	0	★
P0-27	The run command is tied to the main frequency source A command selection	Bit: Operation panel command Bind frequency source selection 0: no binding 1: Digital setting frequency 2: AI1 (Note: J6 jumper) 3: AI2 4: AI3 5: High-speed pulse input setting (S5) 6: multi-speed 7: Simple PLC 8: PID 9: communication given Ten: Terminal Command Binding Frequency Source Selection	0	☆
P0-28	Serial port communication protocol	0: Modbus communication	0	☆
P1 Group: Motor 1 Parameters				
P1-00	Motor type selection	0: ordinary asynchronous motor 1: Variable frequency asynchronous motor	0	★
P1-01	Rated motor power	0.1KW~1000.0KW	Model dependent	★
P1-02	Rated motor voltage	1V~2000V	Model dependent	★
P1-03	Rated motor current	0.01 to 655.35A (AC drive power ≤ 55 KW) 0.1 to 6553.5A (AC drive power > 55 KW)	Model dependent	★
P1-04	Rated motor frequency	0.01Hz~max. frequency	Model dependent	★
P1-05	Rated motor speed	1rpm~65535rpm	Model dependent	★
P1-06	Stator resistance	0.001Ω~65.535Ω(AC drive power≤55KW) 0.0001Ω~6.5535Ω(AC drive power>55KW)	Auto-tuning dependent	★
P1-07	Rotor resistance	0.001Ω~65.535Ω(AC drive power≤55KW) 0.0001Ω~6.5535Ω(AC drive power>55KW)	Auto-tuning dependent	★
P1-08	Leakage inductive reactance	0.01mH~655.35mH(AC drive power≤55KW) 0.001mH~65.535mH (AC drive power>55KW)	Auto-tuning dependent	★
P1-09	Mutual inductive reactance	0.1mH~6553.5mH(AC drive power≤55KW) 0.01mH~655.35mH(AC drive power>55KW)	Auto-tuning dependent	★
P1-10	No-load current	0.01A~P1-03(AC drive power≤55KW) 0.1A~P1-03(AC drive power>55KW)	Auto-tuning dependent	★
P1-27	Encoder pulses per revolution	1~65535	1024	★
P1-28	Encoder type	0: ABZ incremental encoder 2: Resolver	0	★
P1-30	A/B phase sequence of ABZ incremental encoder	0: Forward 1: Reserve	0	★
P1-34	Number of pole pairs of resolver	1~65535	1	★
P1-36	Encoder wire-break fault detection time	0.0: no operation 0.1s~10.0s	0.0s	★
P1-37	Motor auto-tuning method selection	0: no operation 1: Asynchronous machine static part of the parameters of self-learning 2: asynchronous machine dynamic complete self-learning 3: asynchronous machine static complete self-learning	0	★
P2 Group: Vector Control Parameters				
P2-00	Speed loop proportional gain 1	1~100	30	☆
P2-01	Speed loop integral time 1	0.01s~10.00s	0.50s	☆
P2-02	Switchover frequency 1	0.00~P2-05	5.00Hz	☆
P2-03	Speed loop proportional gain 2	1~100	20	☆
P2-04	Speed loop integral time 2	0.01s~10.00s	1.01.00s	☆
P2-05	Switchover frequency 2	P2-02~max frequency (P0-10)	10.00Hz	☆
P2-06	SVC/FVC slip compensation gain	50%~200%	100%	☆
P2-07	SVC Speed feedback filter time constant	0.000s~0.100s	0.015s	☆
P2-09	Torque upper limit command channel selection under speed control	0: function code P2-10 setting 1: AI1 2: AI2 3: AI3 4: high-speed pulse input setting (S5) 5: communication given 6: MIN (AI1, AI2) 7: MAX (AI1, AI2) 1-7 option full scale corresponds to P2-10	0	☆
P2-10	Digital setting of torque limit in speed control	0: 0%~200.0%	150.0%	☆
P2-11	Torque limit source in speed control (in regenerative state)	0: Function code P2-12 setting (no distinction between electric and power generation) 1: AI1 2: AI2 3: AI3 4: High-speed pulse input setting 5: communication given 6: MIN (AI1, AI2) 7: MAX (AI1, AI2) 8: Function code P2-12 setting 1-7 The full scale of the option corresponds to P2-12	0	☆
P2-12	Digital setting of torque limit in speed control (in regenerative state)	0: 0%~200.0%	150.0%	☆
P2-13	Excitation adjustment proportional gain	0~60000	2000	☆
P2-14	Excitation adjustment integral gain	0~60000	1300	☆
P2-15	Torque adjustment proportional gain	0~60000	2000	☆
P2-16	Torque adjustment integral gain	0~60000	1300	☆
P2-17	Speed loop integral separation selection	0: Disabled 1: Enabled	0	☆
P2-20	Max output voltage	-	-	-
P2-21	Max. torque coefficient of field weakening area	50~200%	100%	☆
P2-22	Regenerative power limit selection	0: Disabled 1: Enabled	0	☆
P2-23	Regenerative power limit	0~200%	Model dependent	☆
P3 Group: V/F Control Parameters				
P3-00	V/F curve setting	0: Straight line V/F 1: multipoint V/F 2: square V/F 3: 1.2 Power V/F 4: 1.4 Power V/F 6: 1.6 Power V/F 8: 1.8 power V/F 9: Reserved 10: V/F complete separation mode 11: V/F semi-separation mode	0	★
P3-01	Torque boost	0.0% (Ineffective) 0.1%~30.0%	Model dependent	☆
P3-02	Cut-off frequency of torque boost	0.00Hz~max. frequency	50.00Hz	★
P3-03	Multi-point V/F frequency1	0.00Hz~P3-05	0.00Hz	★
P3-04	Multi-point V/F voltage 1	0.0%~100.0%	0.0%	★
P3-05	Multi-point V/F frequency 2	P3-03~P3-07	0.00Hz	★
P3-06	Multi-point V/F voltage 2	0.0%~100.0%	0.0%	★
P3-07	Multi-point V/F frequency 3	P3-05~rated motor frequency (P1-04)	0.00Hz	★
P3-08	Multi-point V/F voltage 3	0.0%~100.0%	0.0%	★
P3-09	Slip compensation gain	-	-	-
P3-10	V/F over-excitation gain	0~200	64	☆
P3-11	V/F oscillation suppression gain	0~100	40	☆
P3-13	Voltage source for V/F separation	0: digital setting (P3-14) 1: AI1 (Note: J6 jumper) 2: AI2 3: AI3 4: High-speed pulse input setting (S5) 5: multi-segment instructions 6: Simple PLC 7: PID 8: communication given Note: 100.0% corresponds to the motor rated voltage	0	☆
P3-14	Digital setting of voltage for V/F separation	0V~rated motor voltage	0V	☆
P3-15	Voltage rise time of V/F separation	0.0s~1000.0s Note: 0V to rated motor voltage	0.0s	☆
P3-16	Voltage decline time of V/F separation	0.0s~1000.0s Note: time of 0V to rated motor voltage	0.0s	☆
P3-17	Stop mode selection for V/F separation	0: Frequency and voltage declining to 0 independently 1: Frequency declining after voltage declines to 0	0	☆
P3-18	Current limit level	50~200%	150%	★
P3-19	Current limit selection	0: useless 1: useful	1	★
P3-20	Current limit gain	0~100	20	☆
P3-21	Compensation factor of speed multiplying current limit level	50~200%	50%	★
P3-22	Voltage limit	650V~800.0V	770V	★
P3-23	Voltage limit selection	0: useless 1: useful	1	★
P3-24	Frequency gain for voltage limit	0~100	30	☆
P3-25	Voltage gain for voltage limit	0~100	30	☆
P3-26	Frequency rise threshold during voltage limit	0~50Hz	5Hz	★
P4 Group: Input Terminals				
P4-00	S1 function selection	0: no function 1: Forward run (FWD) or run command 2: reverse run (REV) or positive and negative running direction (Note: set 1, 2 to be used with P4-11) 3: three-wire operation control 4: forward jog (FJOG) 5: reverse jog (RJOG) 6: Terminal UP 7: Terminal DOWN 8: free parking 9: Fault reset (RESET) 10: run pause 11: External fault normally open input 12: Multi-step command terminal 1 13: Multi-step command terminal 2 14: Multi-step command terminal 3 15: Multi-step command terminal 4 16: Acceleration/Deceleration time selection terminal 1 17: Acceleration/Deceleration time selection terminal 2 18: Frequency command switching 19: UP/DOWN setting clear (terminal, keyboard) 20: control command to switch terminal 1 21: Acceleration/Deceleration is prohibited 22: PID pause 23: Easy PLC status reset 24: Wobble is suspended 25: Counter input 26: Counter reset 27: Length count input 28: Length reset 29: Torque control disabled 30: High-speed pulse input (only valid for S5) 31: Reserved 32: Immediate DC braking 33: External fault normally closed input 34: Frequency modification enabled 35: PID direction is reversed 36: External parking terminal 1 37: control command to switch terminal 2 38: PID integral is paused 39: Frequency source A and preset frequency switching 40: Frequency source B and preset frequency switching 41: Motor terminal selection function 42: Reserved 43: PID parameter switch 44: User defined fault 1 45: user defined fault 2 46: Speed control/torque control switching 47: Emergency stop 48: External parking terminal 2 49: Deceleration of DC braking 50: This run time is cleared 51: two-wire/three-wire switch 52: Reverse frequency disabled 53-59: Reserved	1	★
P4-01	S2 function selection	0: no function 1: Forward run (FWD) or run command 2: reverse run (REV) or positive and negative running direction (Note: set 1, 2 to be used with P4-11) 3: three-wire operation control 4: forward jog (FJOG) 5: reverse jog (RJOG) 6: Terminal UP 7: Terminal DOWN 8: free parking 9: Fault reset (RESET) 10: run pause 11: External fault normally open input 12: Multi-step command terminal 1 13: Multi-step command terminal 2 14: Multi-step command terminal 3 15: Multi-step command terminal 4 16: Acceleration/Deceleration time selection terminal 1 17: Acceleration/Deceleration time selection terminal 2 18: Frequency command switching 19: UP/DOWN setting clear (terminal, keyboard) 20: control command to switch terminal 1 21: Acceleration/Deceleration is prohibited 22: PID pause 23: Easy PLC status reset 24: Wobble is suspended 25: Counter input 26: Counter reset 27: Length count input 28: Length reset 29: Torque control disabled 30: High-speed pulse input (only valid for S5) 31: Reserved 32: Immediate DC braking 33: External fault normally closed input 34: Frequency modification enabled 35: PID direction is reversed 36: External parking terminal 1 37: control command to switch terminal 2 38: PID integral is paused 39: Frequency source A and preset frequency switching 40: Frequency source B and preset frequency switching 41: Motor terminal selection function 42: Reserved 43: PID parameter switch 44: User defined fault 1 45: user defined fault 2 46: Speed control/torque control switching 47: Emergency stop 48: External parking terminal 2 49: Deceleration of DC braking 50: This run time is cleared 51: two-wire/three-wire switch 52: Reverse frequency disabled 53-59: Reserved	4	★
P4-02	S3 function selection	0: no function 1: Forward run (FWD) or run command 2: reverse run (REV) or positive and negative running direction (Note: set 1, 2 to be used with P4-11) 3: three-wire operation control 4: forward jog (FJOG) 5: reverse jog (RJOG) 6: Terminal UP 7: Terminal DOWN 8: free parking 9: Fault reset (RESET) 10: run pause 11: External fault normally open input 12: Multi-step command terminal 1 13: Multi-step command terminal 2 14: Multi-step command terminal 3 15: Multi-step command terminal 4 16: Acceleration/Deceleration time selection terminal 1 17: Acceleration/Deceleration time selection terminal 2 18: Frequency command switching 19: UP/DOWN setting clear (terminal, keyboard) 20: control command to switch terminal 1 21: Acceleration/Deceleration is prohibited 22: PID pause 23: Easy PLC status reset 24: Wobble is suspended 25: Counter input 26: Counter reset 27: Length count input 28: Length reset 29: Torque control disabled 30: High-speed pulse input (only valid for S5) 31: Reserved 32: Immediate DC braking 33: External fault normally closed input 34: Frequency modification enabled 35: PID direction is reversed 36: External parking terminal 1 37: control command to switch terminal 2 38: PID integral is paused 39: Frequency source A and preset frequency switching 40: Frequency source B and preset frequency switching 41: Motor terminal selection function 42: Reserved 43: PID parameter switch 44: User defined fault 1 45: user defined fault 2 46: Speed control/torque control switching 47: Emergency stop 48: External parking terminal 2 49: Deceleration of DC braking 50: This run time is cleared 51: two-wire/three-wire switch 52: Reverse frequency disabled 53-59: Reserved	9	★
P4-03	S4 function selection	0: no function 1: Forward run (FWD) or run command 2: reverse run (REV) or positive and negative running direction (Note: set 1, 2 to be used with P4-11) 3: three-wire operation control 4: forward jog (FJOG) 5: reverse jog (RJOG) 6: Terminal UP 7: Terminal DOWN 8: free parking 9: Fault reset (RESET) 10: run pause 11: External fault normally open input 12: Multi-step command terminal 1 13: Multi-step command terminal 2 14: Multi-step command terminal 3 15: Multi-step command terminal 4 16: Acceleration/Deceleration time selection terminal 1 17: Acceleration/Deceleration time selection terminal 2 18: Frequency command switching 19: UP/DOWN setting clear (terminal, keyboard) 20: control command to switch terminal 1 21: Acceleration/Deceleration is prohibited 22: PID pause 23: Easy PLC status reset 24: Wobble is suspended 25: Counter input 26: Counter reset 27: Length count input 28: Length reset 29: Torque control disabled 30: High-speed pulse input (only valid for S5) 31: Reserved 32: Immediate DC braking 33: External fault normally closed input 34: Frequency modification enabled 35: PID direction is reversed 36: External parking terminal 1 37: control command to switch terminal 2 38: PID integral is paused 39: Frequency source A and preset frequency switching 40: Frequency source B and preset frequency switching 41: Motor terminal selection function 42: Reserved 43: PID parameter switch 44: User defined fault 1 45: user defined fault 2 46: Speed control/torque control switching 47: Emergency stop 48: External parking terminal 2 49: Deceleration of DC braking 50: This run time is cleared 51: two-wire/three-wire switch 52: Reverse frequency disabled 53-59: Reserved	12	★
P4-04	S5 function selection	0: no function 1: Forward run (FWD) or run command 2: reverse run (REV) or positive and negative running direction (Note: set 1, 2 to be used with P4-11) 3: three-wire operation control 4: forward jog (FJOG) 5: reverse jog (RJOG) 6: Terminal UP 7: Terminal DOWN 8: free parking 9: Fault reset (RESET) 10: run pause 11: External fault normally open input 12: Multi-step command terminal 1 13: Multi-step command terminal 2 14: Multi-step command terminal 3 15: Multi-step command terminal 4 16: Acceleration/Deceleration time selection terminal 1 17: Acceleration/Deceleration time selection terminal 2 18: Frequency command switching 19: UP/DOWN setting clear (terminal, keyboard) 20: control command to switch terminal 1 21: Acceleration/Deceleration is prohibited 22: PID pause 23: Easy PLC status reset 24: Wobble is suspended 25: Counter input 26: Counter reset 27: Length count input 28: Length reset 29: Torque control disabled 30: High-speed pulse input (only valid for S5) 31: Reserved 32: Immediate DC braking 33: External fault normally closed input 34: Frequency modification enabled 35: PID direction is reversed 36: External parking terminal 1 37: control command to switch terminal 2 38: PID integral is paused 39: Frequency source A and preset frequency switching 40: Frequency source B and preset frequency switching 41: Motor terminal selection function 42: Reserved 43: PID parameter switch 44: User defined fault 1 45: user defined fault 2 46: Speed control/torque control switching 47: Emergency stop 48: External parking terminal 2 49: Deceleration of DC braking 50: This run time is cleared 51: two-wire/three-wire switch 52: Reverse frequency disabled 53-59: Reserved	13	★
P4-05	S6 function selection	0: no function 1: Forward run (FWD) or run command 2: reverse run (REV) or positive and negative running direction (Note: set 1, 2 to be used with P4-11) 3: three-wire operation control 4: forward jog (FJOG) 5: reverse jog (RJOG) 6: Terminal UP 7: Terminal DOWN 8: free parking 9: Fault reset (RESET) 10: run pause 11: External fault normally open input 12: Multi-step command terminal 1 13: Multi-step command terminal 2 14: Multi-step command terminal 3 15: Multi-step command terminal 4 16: Acceleration/Deceleration time selection terminal 1 17: Acceleration/Deceleration time selection terminal 2 18: Frequency command switching 19: UP/DOWN setting clear (terminal, keyboard) 20: control command to switch terminal 1 21: Acceleration/Deceleration is prohibited 22: PID pause 23: Easy PLC status reset 24: Wobble is suspended 25: Counter input 26: Counter reset 27: Length count input 28: Length reset 29: Torque control disabled 30: High-speed pulse input (only valid for S5) 31: Reserved 32: Immediate DC braking 33: External fault normally closed input 34: Frequency modification enabled 35: PID direction is reversed 36: External parking terminal 1 37: control command to switch terminal 2 38: PID integral is paused 39: Frequency source A and preset frequency switching 40: Frequency source B and preset frequency switching 41: Motor terminal selection function 42: Reserved 43: PID parameter switch 44: User defined fault 1 45: user defined fault 2 46: Speed control/torque control switching 47: Emergency stop 48: External parking terminal 2 49: Deceleration of DC braking 50: This run time is cleared 51: two-wire/three-wire switch 52: Reverse frequency disabled 53-59: Reserved	0	★
P4-06	S7 function selection	0: no function 1: Forward run (FWD) or run command 2: reverse run (REV) or positive and negative running direction (Note: set 1, 2 to be used with P4-11) 3: three-wire operation control 4: forward jog (FJOG) 5: reverse jog (RJOG) 6: Terminal UP 7: Terminal DOWN 8: free parking 9: Fault reset (RESET) 10: run pause 11: External fault normally open input 12: Multi-step command terminal 1 13: Multi-step command terminal 2 14: Multi-step command terminal 3 15: Multi-step command terminal 4 16: Acceleration/Deceleration time selection terminal 1 17: Acceleration/Deceleration time selection terminal 2 18: Frequency command switching 19: UP/DOWN setting clear (terminal, keyboard) 20: control command to switch terminal 1 21: Acceleration/		

P7-05	LED display stop parameters	0000~FFFF Bit00: Set frequency (Hz) Bit01: Bus voltage (V) Bit02: S input status Bit03: HDO output status Bit04: A1 voltage (V) Bit05: A12 voltage (V) Bit06: A13 voltage (V) Bit07: Count value Bit08: Length value Bit09: PLC stage Bit10: Load speed Bit11: PID setting Bit12: High-speed pulse input frequency (kHz)	33	☆
P7-06	Load speed display coefficient	0.0001~6.5000	1.0000	☆
P7-07	Heatsink temperature of AC Drive IGBT	-20.0°C ~120.0°C	-	●
P7-09	Accumulative running time	0h~65535h	-	●
P7-12	Number of decimal places for load speed display	Bit: d0-14 the number of decimal places 0: 0 decimal places 1: 1 decimal place 2: 2 decimal places 3: 3 decimal places Ten: d0-19/d0-29 the number of decimal places 1: 1 decimal place 2: 2 decimal places	21	☆
P7-13	Accumulative power-on time	0h~65535h	-	●
P7-14	Accumulative power consumption	0kW~65535kwh	-	●
P8 Group: Auxiliary Functions				
P8-04	Deceleration time 2	0.0s to 6500.0s	Model dependent	☆
P8-05	Acceleration time 3	0.0s to 6500.0s	Model dependent	☆
P8-06	Deceleration time 3	0.0s to 6500.0s	Model dependent	☆
P8-07	Acceleration time 4	0.0s to 6500.0s	Model dependent	☆
P8-08	Deceleration time 4	0.0s to 6500.0s	Model dependent	☆
P8-09	Frequency jump 1	0.00Hz to max. frequency	0.00Hz	☆
P8-10	Frequency jump 2	0.00Hz to max. frequency	0.00Hz	☆
P8-11	Frequency jump band	0.00Hz to max. frequency	0.00Hz	☆
P8-12	Forward/Reverse run switch over dead-zone time	0.0s to 3000.0s	0.0s	☆
P8-13	Reverse RUN selection	0: invalid, 1: effective	0	☆
P8-14	Running mode when frequency reference lower than frequency lower limit	0 to 2	0	☆
P8-15	Drop rate	0.00% to 100.00%	0.00%	☆
P8-16	Accumulative power-on time threshold	0 to 65000h	0h	☆
P8-17	Accumulative running time threshold	0 to 65000h	0h	☆
P8-18	Startup protection selection	0: Not to be protected, 1: protect	0	☆
P8-19	Frequency detection value 1	0.00Hz to max. frequency	50.00Hz	☆
P8-20	Frequency detection hysteresis 1	0.0% to 100.0%	5.0%	☆
P8-21	Detection width of target frequency reached	0.0% to 100.0%	0.0%	☆
P8-22	Jump frequency function	0: invalid, 1: effective	0	☆
P8-25	Switchover frequency of accel time 1 and accel time 2	0.00Hz to max. frequency	0.00Hz	☆
P8-26	Switchover frequency of decel time 1 and decel time 2	0.00Hz to max. frequency	0.00Hz	☆
P8-27	Set highest priority to terminal JOG function	0: invalid, 1: effective	0	☆
P8-28	Frequency detection value 2	0.00Hz to max. frequency	50.00Hz	☆
P8-29	Frequency detection hysteresis 2	0.0% to 100.0%	5.0%	☆
P8-30	Detection of frequency 1	0.00Hz to max. frequency	50.00Hz	☆
P8-31	Detection width of frequency 1	0.0% to 100.0% (max. frequency)	0.0%	☆
P8-32	Detection of frequency 2	0.00Hz to max. frequency	50.00Hz	☆
P8-33	Detection width of frequency 2	0.0% to 100.0% (max. frequency)	0.0%	☆
P8-34	Zero current detection level	0.0% to 300.0% (rated motor current)	5.0%	☆
P8-35	Zero current detection delay	0.01s to 600.00s	0.10s	☆
P8-36	Output over current threshold	1.1% (no detection) 1.2% to 300.0% (rated motor current)	200.0%	☆
P8-37	Output over current detection delay	0.00s to 600.00s	0.00s	☆
P8-38	Detection level of current 1	0.0% to 300.0% (rated motor current)	100.0%	☆
P8-39	Detection width of current 1	0.0% to 300.0% (rated motor current)	0.0%	☆
P8-40	Detection level of current 2	0.0% to 300.0% (rated motor current)	100.0%	☆
P8-41	Detection width of current 2	0.0% to 300.0% (rated motor current)	0.0%	☆
P8-42	Timing function	0: invalid 1: valid	0.0%	★
P8-43	Running time setting channel	0 to 3	0	★
P8-44	Running time	0.0 to 6500.0 min	0.0 min	★
P8-45	A11 input voltage lower limit	0.00V to F8-46	3.10V	☆
P8-46	A11 input voltage upper limit	F8-45 to 10.00V	6.80V	☆
P8-47	IGBT temperature threshold	0°C to 100°C	75°C	☆
P8-48	Cooling fan working mode	0: Fan runs during operation 1: the fan keeps running	0	☆
P8-49	Wake up frequency	F8-51 to max. Frequency (F0-10)	0.00Hz	☆
P8-50	Wake up delay time	0.0s~6500.0s	0.0s	☆
P8-51	Hibernating frequency	0.00Hz to wake up frequency (P8-49)	0.00Hz	☆
P8-52	Hibernating delay time	0.0s~6500.0s	0.0s	☆
P8-53	Running time threshold this time	0.0~6500.0 min	0.0 min	☆
P8-54	Output power correction coefficient	0.0% to 200.0%	100.0%	☆
P9 Group: Fault and Protection				
P9-00	Motor overload protection	0: Forbidden 1: Allowed	1	☆
P9-01	Motor overload protection gain	0.20 to 10.00	1.00	☆
P9-02	Motor overload pre-warning coefficient	50% to 100%	80%	☆
P9-03	Overvoltage protection gain	0~100	30	☆
P9-04	Overvoltage protection voltage	650 to 800V	770V	☆
P9-07	Detection of short-circuit to ground upon power-on	Units: Power-to-ground short-circuit protection selection 0: Invalid 1: valid Tens place: Selection of short-to-ground protection before running 0: Invalid	01	☆
P9-08	Braking unit applied voltage	650 to 800V	720V	☆

P9-09	Auto reset times	0 to 20	0	☆
P9-10	Selection of DO action during auto reset	0: No action 1: Action	0	☆
P9-11	Delay of auto reset	0.1s to 100.0s	1.0s	☆
P9-12	Input phase loss/pre-charge relay protection	Unit digit: input phase loss protection selection Tenth place: Contact or pull-in protection selection 0: Forbidden 1: Allowed	-	-
P9-13	Output phase loss protection	Unit digits: output phase loss protection selection Tens place: output phase loss protection selection before running 0: Forbidden 1: Allowed 0: Forbidden 1: Allowed	01	☆
P9-14	1st fault type	-	-	●
P9-15	2nd fault type	00-55	-	●
P9-16	3rd (latest) fault type	-	-	●
P9-17	Frequency upon 3rd fault	-	-	●
P9-18	Current upon 3rd fault	-	-	●
P9-19	Bus voltage upon 3rd fault	-	-	●
P9-20	DI state upon 3rd fault	-	-	●
P9-21	DO state upon 3rd fault	-	-	●
P9-22	AC drive state upon 3rd fault	-	-	●
P9-23	Power-on time upon 3rd fault	-	-	●
P9-24	Running time upon 3rd fault	-	-	●
P9-27	Frequency upon 2nd fault	-	-	●
P9-28	Current upon 2nd fault	-	-	●
P9-29	Bus voltage upon 2nd fault	-	-	●
P9-30	DI state upon 2nd fault	-	-	●
P9-31	DO state upon 2nd fault	-	-	●
P9-32	AC drive state upon 2nd fault	-	-	●
P9-33	Power-on time upon 2nd fault	-	-	●
P9-34	Running time upon 2nd fault	-	-	●
P9-37	Frequency Upon 1st fault	-	-	●
P9-38	Current upon 1st fault	-	-	●
P9-39	Bus voltage upon 1st fault	-	-	●
P9-40	DI state upon 1st fault	-	-	●
P9-41	DO state upon 1st fault	-	-	●
P9-42	AC drive state upon 1st fault	-	-	●
P9-43	Power-on time upon 1st fault	-	-	●
P9-44	Running time upon 1st fault	-	-	●
P9-47	Fault protection action selection 1	0: free 1: stop 2: continue running	00000	☆
P9-48	Fault protection action selection 2	00000 to 11111	00000	☆
P9-49	Fault protection action selection 3	00000 to 22222	00000	☆
P9-50	Fault protection action selection 4	00000 to 22222	00000	☆
P9-54	Frequency selection for continuing to run upon fault	0 to 4	0	☆
P9-55	Backup frequency upon fault	0.0% to 100.0% (max. Frequency P0-10)	100.0%	☆
P9-56	Type of motor temperature sensor	0: No temperature sensor 1: PT100 2: PT1000	-	-
P9-59	Power dip ride-through function selection	0: Invalid 1: constant bus voltage control 2: deceleration stop	0	☆
P9-60	Threshold of power dip ride through function disabled	80% to 100%	85%	☆
P9-62	Threshold of power dip ride through function enabled	60% to 100%	80%	☆
P9-63	Load lost protection	0: Disabled 1: Enabled	0	☆
P9-64	Load lost detection level	0.0% to 100.0%	10.0%	☆
P9-65	Load lost detection time	0.0s to 60.0s	1.0s	☆
P9-67	Overspeed detection level	0.0% to 50.0% (max. frequency)	20.0%	☆
P9-68	Overspeed detection time	0.0s to 60.0s	1.0s	☆
P9-69	Detection level of speed error	0.0% to 50.0% (max. frequency)	20.0%	☆
P9-70	Detection time of Speed error	0.0s to 60.0s	5.0s	☆
P9-71	Power dip ride-through gain Kp	0 to 100	40	☆
P9-72	Power dip ride-through integral coefficient	0 to 100	30	☆
P9-73	Deceleration level of power dip ride-through	0.0s to 300.0s	20.0s	★
PA Group: PID Function				
PA-00	PID reference setting channel	0: PA-01 setting 1: A11 (Note: J6 jumper) 2: A12 3: A13 4: High-speed pulse input setting (S5) 5: Communication given 6: Multi-section instruction given	0	☆
PA-01	PID digital setting	0.0% to 100.0%	50.0%	☆
PA-02	PID feedback	0: A11 (Note: J6 jumper) 1: A12 2: A13 3: A11-A12 4: High-speed pulse input setting (S5) 5: Communication given 6: A11 + A12 7: MAX (A11 , A12) 8: MIN (A11 , A12)	0	☆
PA-03	PID operation direction	0: Positive action 1: reaction	0	☆
PA-04	PID reference and feedback range	0 to 65535	1000	☆
PA-05	Proportional gain Kp1	0.0 to 1000.0	20.0	☆
PA-06	Integral time T11	0.01s to 10.00s	2.00s	☆
PA-07	Differential time Td1	0.000s to 10.000s	0.000s	☆
PA-08	PID output limit in reverse direction	0.00 Hz to max. Frequency P0-10	0.00Hz	☆
PA-09	PID error limit	0.0% to 100.0%	0.0%	☆
PA-10	PID differential limit	0.00% to 100.00%	0.10%	☆
PA-11	PID reference change time	0.00s to 650.00s	0.00s	☆
PA-12	PID feedback filter time	0.00s to 60.00s	0.00s	☆
PA-13	PID output filter time	0.00s to 60.00s	0.00s	☆
PA-14	Reserved	-	-	-
PA-15	Proportional gain Kp2	0.0 to 1000.0	20.0	☆
PA-16	Integral time T12	0.01s to 10.00s	2.00s	☆
PA-17	Differential time Td2	0.000s to 10.000s	0.000s	☆
PA-18	PID parameter switch over condition	0 to 3	0	☆
PA-19	PID error 1 for auto switch over	0.0% to PA-20	20.0%	☆
PA-20	PID error 2 for auto switch over	PA-19 to 100.0%	80.0%	☆
PA-21	PID initial value	0.0% to 100.0%	0.0%	☆
PA-22	PID initial value active time	0.00s to 650.00s	0.00s	☆

PA-23	Two output deviations forward to maximum	0.0% to 100.0%	1.00%	☆
PA-24	Two output deviations reverse to maximum	0.0% to 100.0%	1.00%	☆
PA-25	PID integral property	00 to 11	00	☆
PA-26	Detection level of PID feedback loss	0.0%: No detection 0.1% to 100.0%	0.0%	☆
PA-27	Detection time of PID feedback loss	0.0s to 20.0s	0.0s	☆
PA-28	Selection of PID operation at stop	0: Stop no operation, 1: Down time operation	0	☆
Pb Group: Wobble Function, Fixed Length and Count				
Pb-00	Wobble setting mode	0: relative to the center frequency, 1: relative to the maximum frequency	0	☆
Pb-01	Wobble amplitude	0.0% to 100.0%	0.0%	☆
Pb-02	Wobble step	0.0% to 50.0%	0.0%	☆
Pb-03	Wobble cycle	0.1s to 3000.0s	10.0s	☆
Pb-04	Triangular wave rising time coefficient	0.1% to 100.0%	50.0%	☆
Pb-05	Set length	0 to 65535m	1000m	☆
Pb-06	Actual length	0 to 65535m	0m	☆
Pb-07	Number of pulses per meter	0.1 ~ 6553.5	100.0	☆
Pb-08	Set the count value	1 ~ 65535	1000	☆
Pb-09	Specify the count value	1 ~ 65535	1000	☆
PC Group: Multi-reference and Simple PLC Function				
PC-07	Reference 7	-100.0% to 100.0%	0.0%	☆
PC-08	Reference 8	-100.0% to 100.0%	0.0%	☆
PC-09	Reference 9	-100.0% to 100.0%	0.0%	☆
PC-10	Reference 10	-100.0% to 100.0%	0.0%	☆
PC-11	Reference 11	-100.0% to 100.0%	0.0%	☆
PC-12	Reference 12	-100.0% to 100.0%	0.0%	☆
PC-13	Reference 13	-100.0% to 100.0%	0.0%	☆
PC-14	Reference 14	-100.0% to 100.0%	0.0%	☆
PC-15	Reference 15	-100.0% to 100.0%	0.0%	☆
PC-16	Simple PLC running mode	0: Stop at the end of a single run 1: Keep the final value at the end of a single run 2: keep circulating	0	☆
PC-17	Simple PLC retentive selection	0: No memory when power off 1: power-down memory Tenth place: Stop memory selection 0: Stop memory 1: shutdown memory	00	☆
PC-18	Running time of simple PLC reference 0	0.0s (h) to 6500.0s (h)	0.0s (h)	☆
PC-19	Acceleration/ deceleration time of simple PLC reference 0	0 to 3	0	☆
PC-20	Running time of simple PLC reference 1	0s (h) to 6500.0s (h)	0.0s (h)	☆
PC-21	Acceleration/ deceleration time of simple PLC reference 1	0 to 3	0	☆
PC-22	Running time of simple PLC reference 2	0.0s (h) to 6500.0s (h)	0.0s (h)	☆
PC-23	Acceleration/ deceleration time of simple PLC reference 2	0 to 3	0	☆
PC-24	Running time of simple PLC reference 3	0.0s (h) to 6500.0s (h)	0.0s (h)	☆
PC-25	Acceleration/ deceleration time of simple PLC reference 3	0 to 3	0	☆
PC-26	Running time of simple PLC reference 4	0.0s (h) to 6500.0s (h)	0.0s (h)	☆
PC-27	Acceleration/ deceleration time of simple PLC reference 4	0 to 3	0	☆
PC-28	Running time of simple PLC reference 5	0.0s (h) to 6500.0s (h)	0.0s (h)	☆
PC-29	Acceleration/ deceleration time of simple PLC reference 5	0 to 3	0	☆
PC-30	Running time of simple PLC reference 6	0.0s (h) to 6500.0s (h)	0.0s (h)	☆
PC-31	Acceleration/ deceleration time of simple PLC reference 6	0 to 3	0	☆
PC-32	Running time of simple PLC reference 7	0.0s (h) to 6500.0s (h)	0.0s (h)	☆
PC-33	Acceleration/ deceleration time of simple PLC reference 7	0 to 3	0	☆
PC-34	Running time of simple PLC reference 8	0.0s (h) to 6500.0s (h)	0.0s (h)	☆
PC-35	Acceleration/ deceleration time of simple PLC reference 8	0 to 3	0	☆
PC-36	Running time of simple PLC reference 9	0.0s (h) to 6500.0s (h)	0.0s (h)	☆
PC-37	Acceleration/ deceleration time of simple PLC reference 9	0 to 3	0	☆
PC-38	Running time of simple PLC reference 10	0.0s (h) to 6500.0s (h)	0.0s (h)	☆
PC-39	Acceleration/ deceleration time of simple PLC reference 10	0 to 3	0	☆
PC-40	Running time of simple PLC reference 11	0.0s (h) to 6500.0s (h)	0.0s (h)	☆
PC-41	Acceleration/ deceleration time of simple PLC reference 11	0 to 3	0	☆
PC-42	Running time of simple PLC reference 12	0.0s (h) to 6500.0s (h)	0.0s (h)	☆
PC-43	Acceleration/ deceleration time of simple PLC reference 12	0 to 3	0	☆
PC-44	Running time of simple PLC reference 13	0.0s (h) to 6500.0s (h)	0.0s (h)	☆
PC-45	Acceleration/ deceleration time of simple PLC reference 13	0 to 3	0	☆
PC-46	Running time of simple PLC reference 14	0.0s (h) to 6500.0s (h)	0.0	