

承 認 書

SPECIFICATION FOR APPROVAL

客戶名稱:

CUSTOMER: _____

品名/規格:

C F 双排SMT24P长7.9有柱有凸包

DESCRIPTION: _____

本厂料號:

Link Function NO.: _____

制作日期:

2022-03-11

PRODUCTION DATE.: _____

客 戶 承 認

核准 APPROVED	审核 AUDITOR	确认 CHECKED

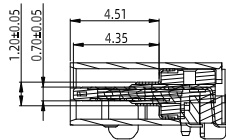
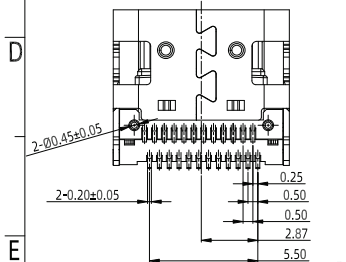
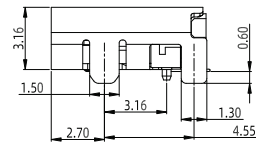
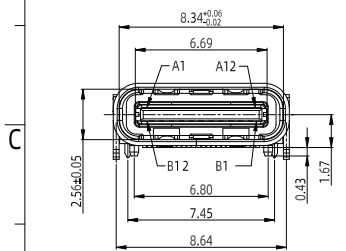
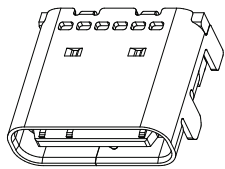
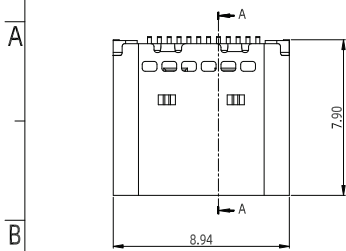
供 应 商 确 认 盖 章

核准 APPROVED	审核 AUDITOR	制作 REPARED

RoHS

14 www.szwelink.com 15

REV.	EC#	DESCRIPTION	DATE	DRAWING	CHECKED	APPROVED
A0		NEW RELEASE	2019.03.22	Michael	Mark	Cornelia



截面A-A

PLEASE CONTACT WELINK SALES REPRESENTATIVE TO VERIFY PRODUCT DETAILS & AVAILABILITY

NOTE:

- MATERIAL SPECIFICATION:
 - HOUSING: HIGH TEMPERATURE RESISTANT PLASTIC, UL94 V-0.
 - CONTACTS: COPPER ALLOY
 - MID PLATE: STAINLESS STEEL
 - FRONT SHELL: STAINLESS STEEL
- PLATING SPECIFICATION:
 - CONTACTS:
 - Ni 50u" MIN. UNDER PLATED OVER ALL.
 - Au PLATED ON THE FUNCTIONAL AREA OF CONTACT. (GOLD PLATING THICKNESS FOLLOW THE P/N)
 - PLATING SPECIFICATIONS OF THE SOLDER AREA FOLLOW THE P/N
 - FRONT SHELL:
 - Ni 30u" MIN. UNDER PLATED OVER ALL.
 - SHIELD PLATE:
 - Ni 30u" MIN. UNDER PLATED OVER ALL.
 - Sn 80u" MIN. PLATED OVER ALL
 - SHIELD PLATE&EMI PLATE:
 - CLEAR ONLY
- MECHANICAL PERFORMANCE,
 - INSERTION FORCE: 5-20N.
 - REMOVAL FORCE: 8-20N.
 - DURABILITY: 10000 CYCLES.
- ELECTRICAL PERFORMANCE,
 - CURRENT RATING: 5.0A
VOLTAGE RATING: 5.0V
 - LLCR:
 - VBUS & GND PINS AND OTHER PINS: 40mΩ/PIN MAX.
 - SHIELD: 50mΩ/MAX.
 - LLCR MAX. CHANGE OF ALL PINS: 10mΩ.
 - INSULATION RESISTANCE: 100MΩ MIN
 - DIELECTRIC WITHSTAND VOLTAGE, AC 100V FOR 1 MINUTE.
- ENVIRONMENTAL PERFORMANCE:
 - OPERATING TEMPERATURE: -25°C→+85°C.
- IR REFLOW:
 - THE PEAK TEMPERATURE ON THE BOARD SHALL BE MAINTAINED FOR 10 SECONDS AT 260°C.

MILLIMETERS	INCH	UNITS	WELINK® 深圳市微连电子有限公司 ShenZhen Welink Electronics Co.,Ltd	
X: ± 0.2	X." ± 5"	MM	PART NUMBER: WL-UC006-1 TITLE: USB C/F 24P SMT TYPE TOP MOUNT (B)	
X: ± 0.15	X." ± 2"	MAT'L		
XX ± 0.1	.XX" ± 1"	SEE NOTES	DWG NO.: WL-UC006-1 APPD: Cornelia	
XXX± 0.01	.XXX" ± 0.5"	FINISH		
		QTY	SCALE: 1:1 SHEET: 1/3 REV: A1	
		SEE NOTES		
		DR: Michael		

1 www.szwelink.com 2

3

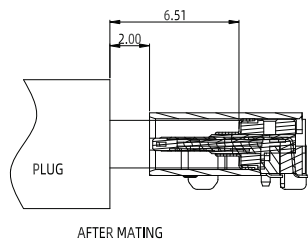
4

5

RoHS

4 www.szwelink.com 5

REV.	EC#	DESCRIPTION	DATE	DRAWING	CHECKED	APPROVED
A0		NEW RELEASE	2019.03.22	Michael	Mark	Cornelia

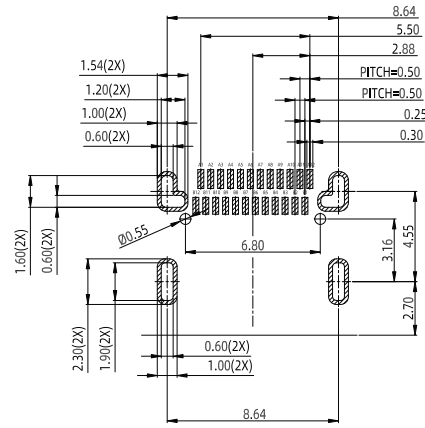


AFTER MATING

USB TYPE-C PIN ASSIGNMENTS

PIN NUMBER	SIGNAL NAME
A1	GND
A2	SSTXp1
A3	SSTXn1
A4	V BUS
A5	CC1
A6	Dp1
A7	Dn1
A8	SBU1
A9	V BUS
A10	SSRXn2
A11	SSRXp2
A12	GND

PIN NUMBER	SIGNAL NAME
B12	GND
B11	SSRXp1
B10	SSRXn1
B9	V BUS
B8	SBU2
B7	Dn2
B6	Dp2
B5	CC2
B4	V BUS
B3	SSTXn2
B2	SSTXp2
B1	GND



RECOMMENDED PCB LAYOUT(TOP VIEW)
THICKNESS 0.60MM;DEFAULT TOLERANCE:±0.05

MILLIMETERS	INCH	UNITS	MM
X: ± 0.2	X: ± 5°	MATL	
.X ± 0.15	.X ± 2°	SEE NOTES	
.XX ± 0.1	.XX ± 1°	FINISH	
.XXX ± 0.01	.XXX ± 0.5°	SEE NOTES	
<small>THESE DIMENSIONS AND PRECISION ARE WEICONN'S PROPERTY AND SHALL BE KEPT CONFIDENTIAL. ANY REPRODUCTION OR USE IN ANY MANNER WITHOUT WEICONN'S PERMISSION IS STRICTLY PROHIBITED.</small>		QTY	
		SEE NOTES	
		SCALE	1:1
		SHEET	2/3
		REV.	A1
		DR:	Michael

WEICONN 深圳市微连电子有限公司
ShenZhen Welink Electronics Co.,Ltd

PART NUMBER: WL-UC006-1 TITLE: USB C/F 24P SMT TYPE TOP MOUNT (B)

APPD: Cornelia

CHKD: Mark

1 www.szwelink.com 2

3

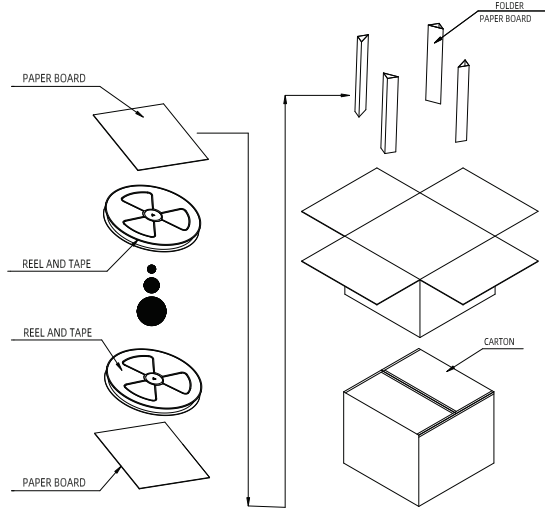
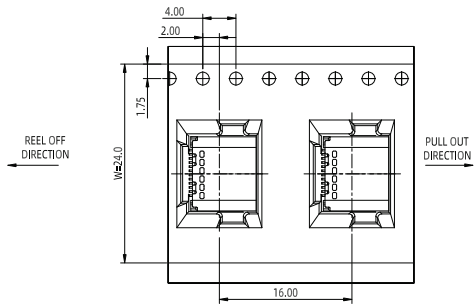
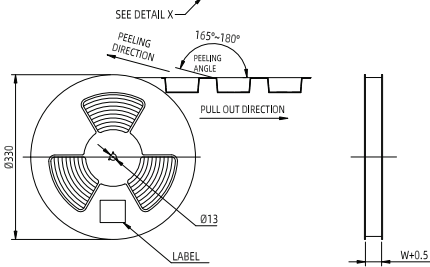
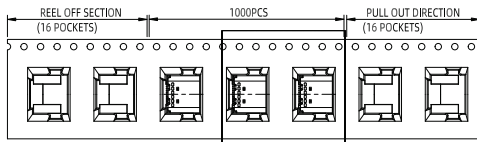
4

5

RoHS

www.szwelink.com

REV.	EC#	DESCRIPTION	DATE	DRAWING	CHECKED	APPROVED
A0		NEW RELEASE	2019.03.22	Michael	Mark	Cornelia



MILLIMETERS	INCH	UNITS	WECONN® 深圳市微连电子有限公司 ShenZhen Welink Electronics Co.,Ltd			
X. ± 0.2	X." ± 5°	MM	PART NUMBER: WL-UC006-1		TITLE: USB C/F 24P SMT TYPE TOP MOUNT (B)	
.X ± 0.15	.X" ± 2°	MATL	DWG NO.:		APPD: Cornelia	
.XX ± 0.1	.XX" ± 1°	FINISH	WL-UC006-1		CHKD: Mark	
.XXX ± 0.01	.XXX" ± 0.5°	QTY	SCALE		DR: Michael	
THESE DRAWINGS AND SPECIFICATION ARE WECONN'S PROPERTY AND SHALL BE KEPT CONFIDENTIAL. ANY REUSE OR DISSEMINATION WITHOUT WECONN'S WRITTEN PERMISSION IS STRICTLY PROHIBITED.		SEE NOTES	1:1	3/3	A1	

www.szwelink.com

www.szwelink.com

	主题 SUBJECT :	文件编号 FILE No.:	
	SPEC for TYPE.C Series	USB C-002-1	
		PAGE	Revision
Page 1 of 7	B		

***** CONTENT *****

Item	Description	Page
	Content (目录)	1
	Revision History (修改履历)	2
1	Scope (范围)	3
1.1	Contents(目录)	3
1.2	Qualification(条件)	3
2	APPLICABLE DOCUMENT(执行文件)	3
3	REQUIREMENTS(要求)	3
3.1	.Design and construction(结构设计)	3
3.2	Materials(材质)	3
3.3	Ratings(额定参数)	3~4
3.4	Performance requirement and test description (性能测试要求与条件)	4
3.5	Test requirements and procedures summary (测试条件与步骤摘要)	4~6
3.6	TEST SEQUENCE (测试顺序)	7

APPROVED	CHECKED	PREPARED

	主题 SUBJECT :	文件编号 FILE No.:	
	SPEC for TYPE.C Series	USB C-002-1	
		PAGE	Revision
	Page 3 of 7	B	

1. SCOPE(范围)

1.1. Contents(目录)

This specification covers the performance, tests and quality requirements for the **Type.C plug and Receptacle connector**.

此份规格书包含了 Type.C 插头和母座连接器的性能，测试及品质要求。

1.2. Qualification(条件)

When tests are performed on the subject product line, the procedures specified specifications shall be used. All inspections shall be performed using the applicable inspection plan and product drawing.

当所有测试项目被应用于生产线时，规格书上的这写指定程序将被使用，所有的检验须按照对应的检验规范及产品图纸执行。

2. APPLICABLE DOCUMENT(执行文件)

The following documents form a part of this specification to the extent specified herein. Unless otherwise specified, the latest edition of the document applies. In the event of conflict between the requirements of this specification and the product drawing, the product drawing shall take precedence. In the event of conflict between the requirements of this specification and the referenced documents, this specification shall take precedence.

源于此规格书的部分文件仅限于此，除非有最新版本文件指定发行，当此规格书标准与产品图纸有冲突时，以产品图纸为准，当此规格书与参考文献相冲突时，以此规格书为准。

3. REQUIREMENTS(要求)

3.1. Design and construction(结构设计)

Product shall be of the design, construction and physical dimensions specified on the applicable product drawing.

产品的设计，结构和物理尺寸须详细的标示在产品图纸上

3.2. Materials(材质)

A. Housing: refer to drawings

胶芯：参考产品图纸

B. Terminal: refer to drawings

端子：参考产品图纸

C. Shall: refer to drawings

外壳：参考产品图纸

3.3. Ratings(额定参数)

A. Voltage: **5 V DC/AC** (RMS. max) 电压：直流/交流电 **5 伏最大**

B. Current: **5Amps** for total Vbus/Gnd pins; **1.25Amps** for CC Pin,0.25 Amps. for all other contact.

	主题 SUBJECT :	文件编号 FILE No.:	
	SPEC for TYPE.C Series	USB C-002-1	
		PAGE	Revision
	Page 4 of 7	B	

电流: Vbus/Gnd 电流 5A,CC PIN 电流 1.25A, 其他 PIN 0.25A

C. Operating temperature:-25°C ~ +85°C

工作温度: -25°C ~ +85°C

3.4. Performance requirement and test description (性能测试要求与条件)

The product shall be designed to meet the electrical, mechanical and environmental performance requirements specified in Figure 1. All tests shall be performed at ambient environmental conditions.

表 1 详细描述了产品的电器, 机械和环境的测试要求, 所有测试都需在温室条件下执行

3.5. Test requirements and procedures summary (测试条件与步骤摘要)

Test item(测试项目)	Requirement(规格/要求)	Requirements(步骤/条件)
1 Appearance of product 产品外观	Meets requirements of product drawing. No physical damage 对照产品图纸, 无物理损伤	Visual inspection. EIA-364-18 目视检查, 参考 EIA-364-18
Electrical Requirement(电气性能)		
2 Contact Resistance 接触电阻	50mΩ max for shield (initial) 40mΩ max for other (initial) 10mΩ max change for post test 铁壳初始时最大 50 毫欧 端子初始时最大 40 毫欧 测试后最大增加 10 毫欧	Subject mated contacts assembled in housing to 20mV max open circuit at 100mA max. EIA-364-23B 端子与胶芯组装后, 最大电压 20 毫伏, 短路电路最大 100 毫安培 参考 EIA-364-23B
3 Dielectric withstanding voltage 耐电压	No flashover & spark over & excess leakage & breakdown 不可跳火, 不可有火花, 不可超出泄露额, 不可击穿	Test voltage 100V AC between adjacent contacts of mated and unmated connector assemblies for one minute. Interval of shield case and contacts too, in the same way EIA-364-20B 100 伏交流电下测试未配对连接器间相邻端子电路一分钟 参考 EIA-364-20B
4 Insulation resistance 绝缘阻抗	Initial:100 MΩ min. Final(post test) 100 MΩ min. 初始:最小 100 兆欧姆 最终(测试后)最小 100 兆欧姆	Test voltage 100±10V DC between adjacent contacts of mated and unmated connector assemblies interval of shield case and contacts too in the same way. EIA-364-21C 100±10 伏直流电下测试相邻位配对连接器间电路 参考 EIA-364-21C

	主题 SUBJECT :	文件编号 FILE No.:	
	SPEC for TYPE.C Series	USB C-002-1	
		PAGE	Revision
		Page 5 of 7	B

5	Temperature rise 温升	测试后, 最大温升30 ° C Max After tests maximum increase for environmental temperature, 30 ° C Max	Refer to EIA-364-70B, Method 1. 参考EIA-364-70B, Method 1.
Mechanical requirement(机械性能)			
6	Mating force 插入力	0.5~2Kgf . 0.5~2 公斤力	Measure force necessary to mate connector assemblies at maximum rate of 30cycles/min. EIA-364-13 测试插入力需要配对的连接器完全契合,运行速度 30 次每分钟 参考: EIA-364-13
7	Unmating force 拔出力	0.8~2Kgf . 0.8~2 公斤力	Measure force necessary to mate connector assemblies at maximum rate of 30cycles/min. EIA-364-13 测试插入力需要配对的连接器完全契合,运行速度 30 次每分钟 参考: EIA-364-13
8	Durability 耐久性	Mating force: 0.5~2Kgf Unmating force: 0.8~2Kgf Contact resistance:10mΩ max change for post test appearance :no breakdown 插入力: 0.5~2 公斤力 拔出力: 0.8~2 公斤力 接触阻抗:测试完成后改变最大增加 10 毫欧	Mate and unmated connector assemblies for 10,000 cycles at. Cycle rate of 500 cycles per hour if done EIA-364-09 插拔次数 10,000 次,速度 500 次每小时, 参考:EIA-364-09

Environmental requirements(环境性能)			
9	Solder-ability 可焊接性	Solder tails shall pass 95% min coverage 粘锡面积最小 95%	Solder temperature:265±5°C Duration:15±0.5sec .EIA-364-52 焊接温度: 265±5°C 持续时间: 15±0.5sec . 参考 EIA-364-52

	主题 SUBJECT :	文件编号 FILE No.:	
	SPEC for TYPE.C Series	USB C-002-1	
		PAGE	Revision
Page 6 of 7	B		

10	Resistance to soldering heat 耐焊锡热量	No physical damage shall occur 无外观损伤	Pre heat:150~180°C,90±30sec. Heat:230°C min. , 35±5sec Peak temp.: 265°C max. Duration:2 cycles 初始温度: 150~180 摄氏度, 90±30 秒 温度: 最小 230 摄氏度, 35±5 秒 最高温度: 最大 265 摄氏度 周期 2 次
11	Thermal shock 热冲击	Contact resistance:10mΩ max Change for post test 接触阻抗:测试完成后改变最大增加 10 毫欧	Mated connector -55±3°C(30minutes),+85±2°C(30minutes) Perform this 1 cycle ,repeat 10 cycles EIA-364-32C condition 1 先将连接器放置于-55±3 摄氏度环境中三十分分钟, 再置于+85±2 摄氏度环境中三十分分钟, 此为一周期, 重复 10 周期次 参考 EIA-364-32C 条件 1
12	Humidity life 恒温恒湿	Withstand voltage: no breakdown Insulation resistance:100 MΩ Min. Contact resistance:10mΩ max. change for post test Appearance :no breakdown 耐电压: 不可击穿 绝缘阻抗: 最小 100 兆欧 接触阻抗: 测试完成后最大增加 10 毫欧 外观: 无损伤	Mated connector 25~65°C, 90~95% RH, 1 cycle:24 hours, 4cycles EIA-364-31B 将连接器放置于温度 25~65 摄氏度, 90~95% RH 湿度中, 一次 24 小时, 共 4 次 参考 EIA-364-31B
13	Temperature life (heat aging) 高温老化	Withstand voltage: no breakdown Insulation resistance:100 MΩ Min. Contact resistance:10mΩ max. change for post test Appearance :no breakdown 耐电压: 不可击穿 绝缘阻抗: 最小 100 兆欧 接触阻抗: 测试完成后最大增加 10 毫欧 外观: 无损伤	Mated connector to 105±2°C for 120 hours upon completion of the exposure period, test exposure period the test specimens shall be conditioned at ambient room, conditions for 1 to 2 hours, after which the specified measurements shall be performed. EIA-364-17B 将连接器放在 105±2 摄氏度环境下 120 小时后取出放在室温下 1 到 2 小时后按制定方法测量 参考 EIA-364-17B
14	Salt spray 盐雾测试	Contact resistance:10 mΩ max change for post test appearance: by visual inspection terminal without noticeable rust 接触电阻: 测试完成后最大增加 10 毫欧, 对试验后的外观变化: 通过目视检查端子没有明显的锈迹	Subject mated connectors to 35±2°C and 5±1% salt condition for 48 hours. After test, rinse the sample with water and recondition the room temperature for 1 hour EIA-364-26B 将连接器放置于温度 35±2 摄氏度, 盐水浓度 5±1%条件下 48 小时后, 用清水清洗样品置于室温条件下 1 小时 参考 EIA-364-26B

