

40W Constant Current 0-10V-FLS Series



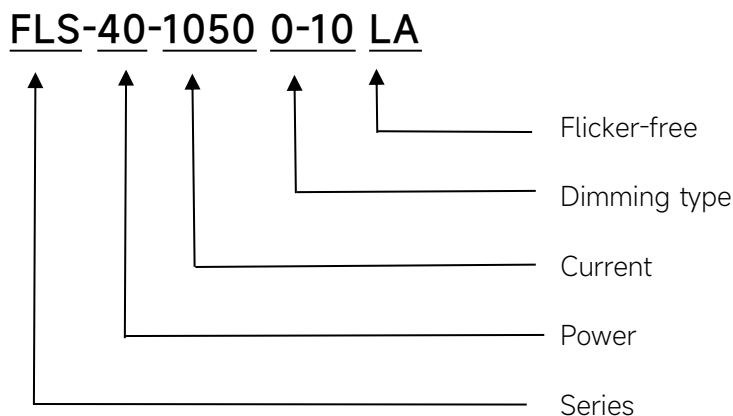
■ Approve



◆ Description

FLS-40-1050 0-10 LA is a 40W constant current LED driver that operates from 176-264Vac input with 850 to 1050mA output current and a forward voltage range from 12 to 45Vdc. The output current is adjustable by DIP Switch. With it's compact dimensions from 170 x 45 x 30mm it is easy to integrate in LED Panel and down light products. To ensure trouble-free operation, protection is provided against output short circuit and over Load.

◆ Model code



Features

- Class II, SELV, independent
- Input Voltage: 220-240VAC
- Protections: SCP/OLP/OVP
- Power Factor: > 0.95
- Efficiency: ≥85%
- Support: 0-10V Dimming
- 5 years warranty

Applications

- LED panel light, Down light

◆ Specification

Output	Constant Current (mA)	850-1050mA
	Voltage Range(VDC)	12-45VDC
	Unload voltage Max.(VDC)	55 VDC
	Current Accuracy	±5%
	Output LF current ripple(≤120Hz)	≤100mA _{p-p} @Full Load,240VAC
	SVM	≤0.4
	Pst	≤1
	Efficiency(Typ.)	≥85%
Input	Rated input voltage(VAC)	220-240VAC
	Range of input voltage(VAC)	176-264VAC
	Range of input voltage(VDC)	176-280VDC
	Frequency(Hz)	0/50/60 Hz
	Displacement factor	≥0.7
	Power Factor	> 0.95@220-240VAC, full load
	Input Current max	0.32A MAX. @Full Load,176VAC
	Start-up time	< 0.5S
	No Load Power	≤0.5W
	THD (Typ.)	≤10%
Dimming	Dimming	YES
	Dimming mode	0-10V
	Dimming depth	1%
	Dimming current range	5 ~100%
Protection	Over Load Protection	103-120% YES/Non-auto Resume
	Over Voltage Protection	> 55VDC YES/Non-auto Resume
	Short circuit Protection	YES/Non-auto Resume
	Over Temperature Protection	YES/Auto Resume
Environment	Operating Temperature	-20°C...+45°C
	Humidity	20%-95%RH
	Tc	90°C
	Storage Temperature	-25°C...+60°C
	Life time	> 30,000h@45°C
Surface standards	Dimension	170X45X30(LXWXH)mm
Others	EN 61347-1; EN61347-2-13; EN62384	
	ErP	EU 2019/2020
	RoHS	RoHS (2011/65/EU) (EU)2015/863

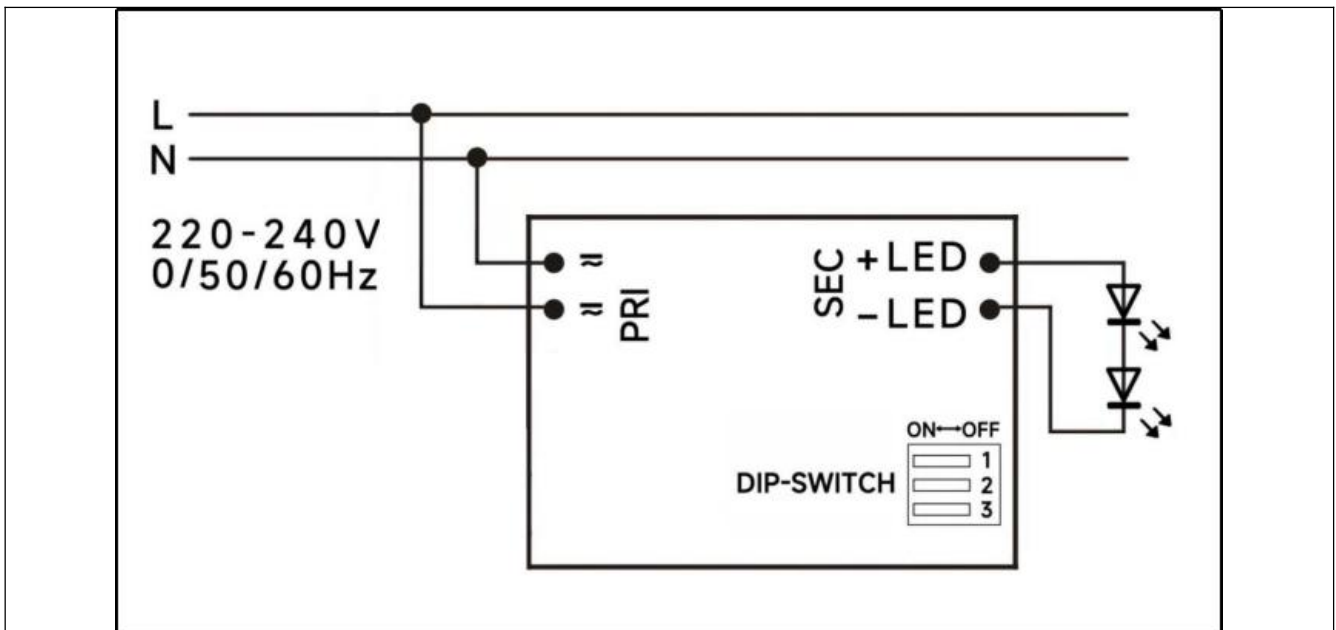
Note	<p>1.All parameters NOT specially mentioned are measured at 230VAC input , full load and 25°C of ambient temperature.</p> <p>2.Ripple & Noise are measured at 20MHz of bandwidth by using a 300mm twisted pair-wire terminated with a 0.1uF & 47 uF parallel capacitor.</p>
------	---

◆ Parameter

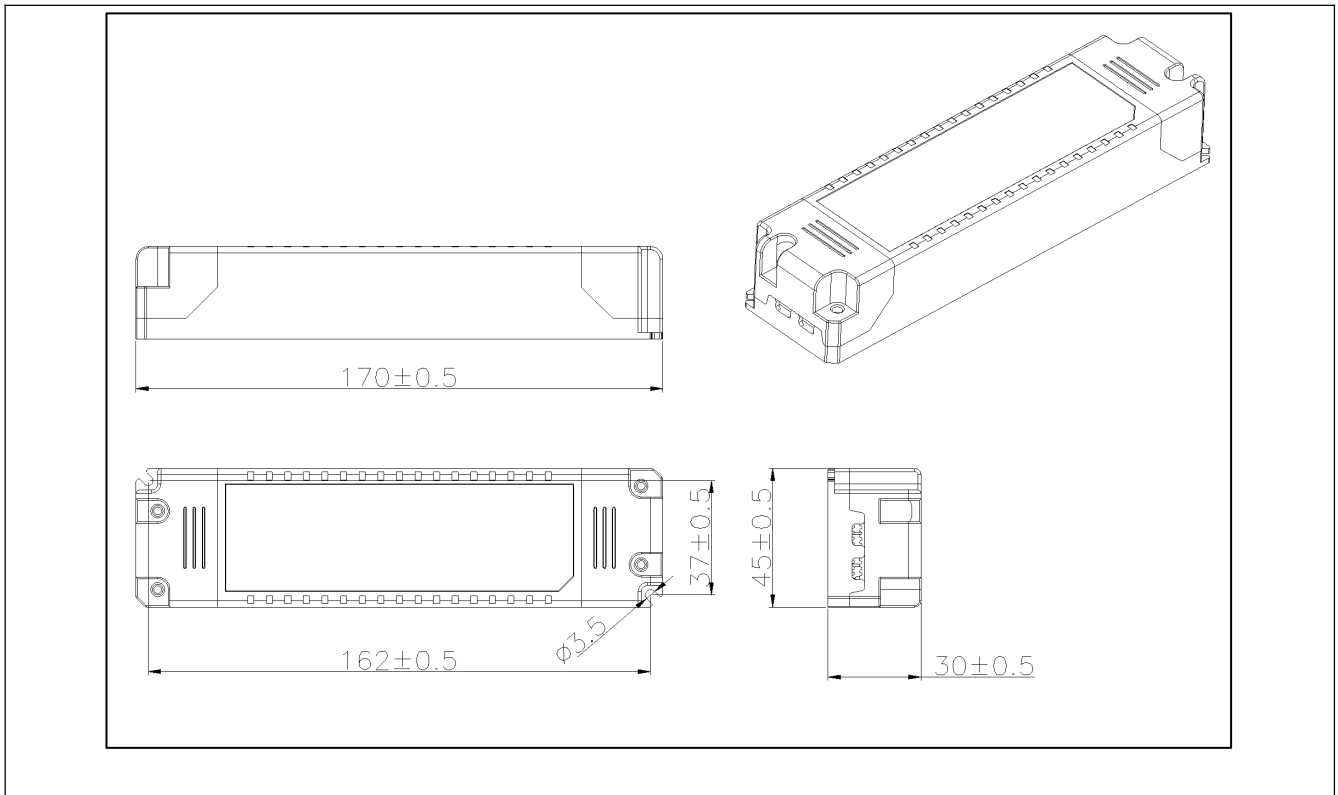
Number	Output				Switch position		
	Current (mA)	Voltage (VDC)	Voltage No load (VDC)	Power (W)	1	2	3
1	850mA	12-45VDC	55VDC	38.3W	--	--	--
2	900mA	12-44.5VDC		40.1W	ON	--	--
3	1000mA	12-40VDC		40W	ON	ON	--
*4	1050mA	12-38.5VDC		40.4W	ON	ON	ON

* Factory default

◆ Wiring diagram



2D diagram

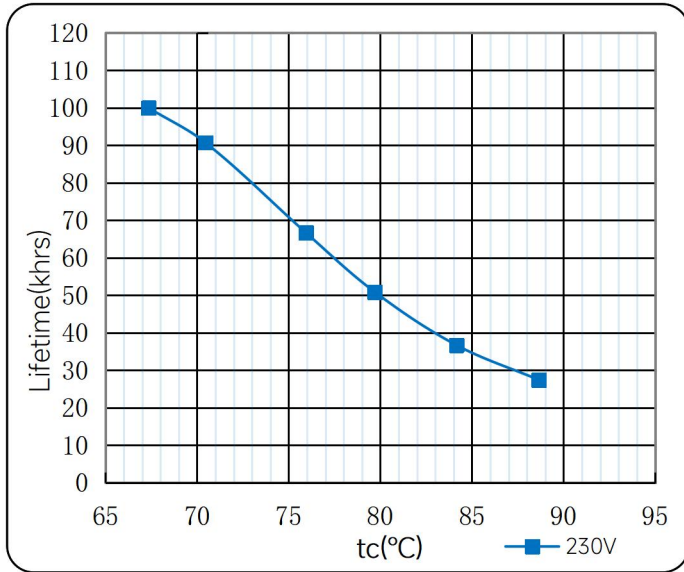


◆ Wiring & Connections

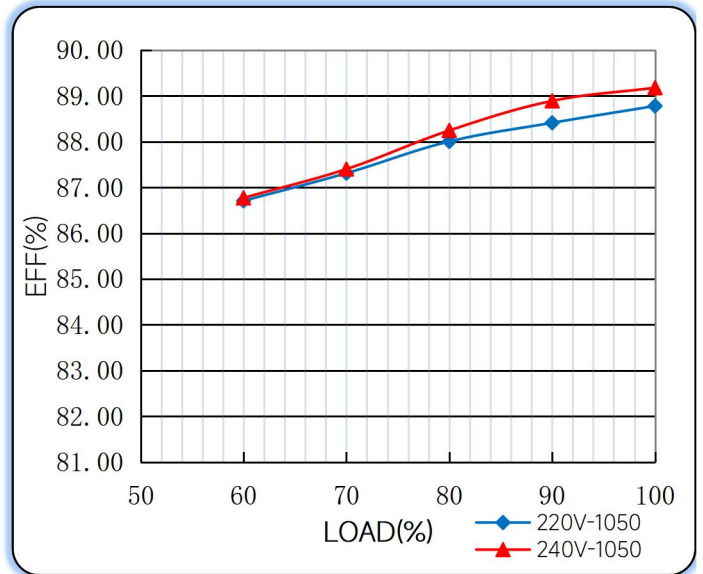
Specification item		Value (Unit)
Input	Input wire cross-section	0.75...2.5 mm ²
	Input wire gauge.	16...20 AWG
	Input wire strip length	7..9mm
Output	Output wire cross-section	0.5...1.5 mm ²
	Output wire gauge.	16...20 AWG
	Output wire strip length	7..9mm

Curve for FLS-40-1050 0-10 LA, I_o=1050mA

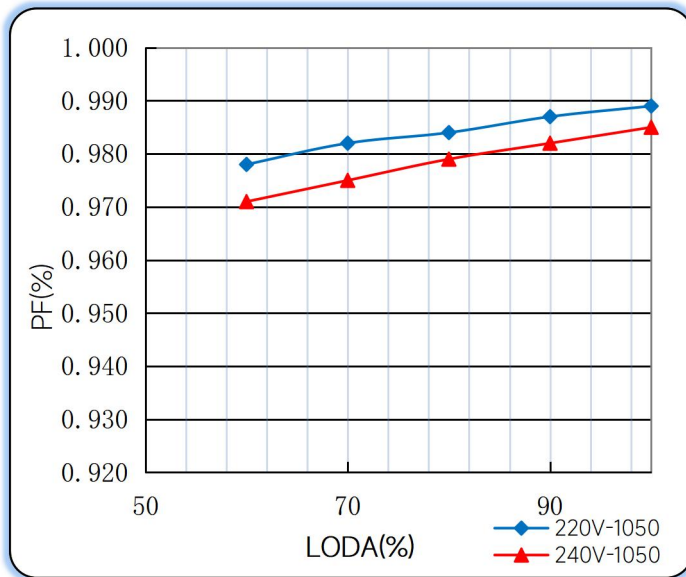
Lifetime vs. Temperature Curve



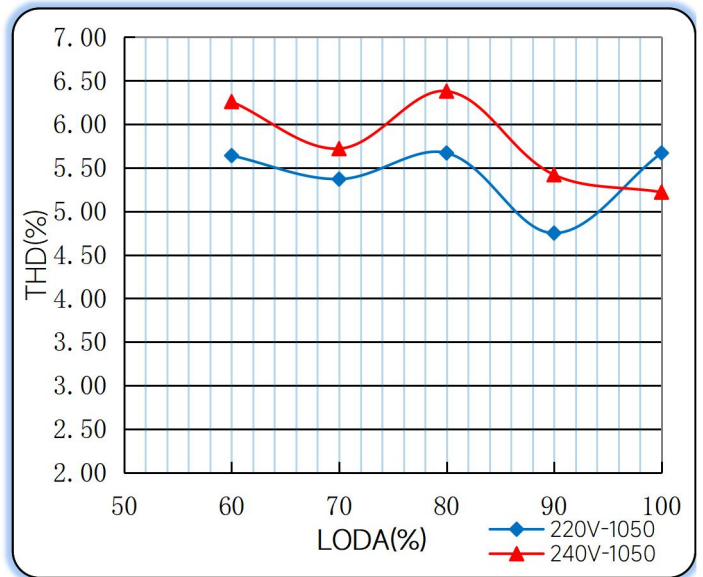
Efficiency vs. Load



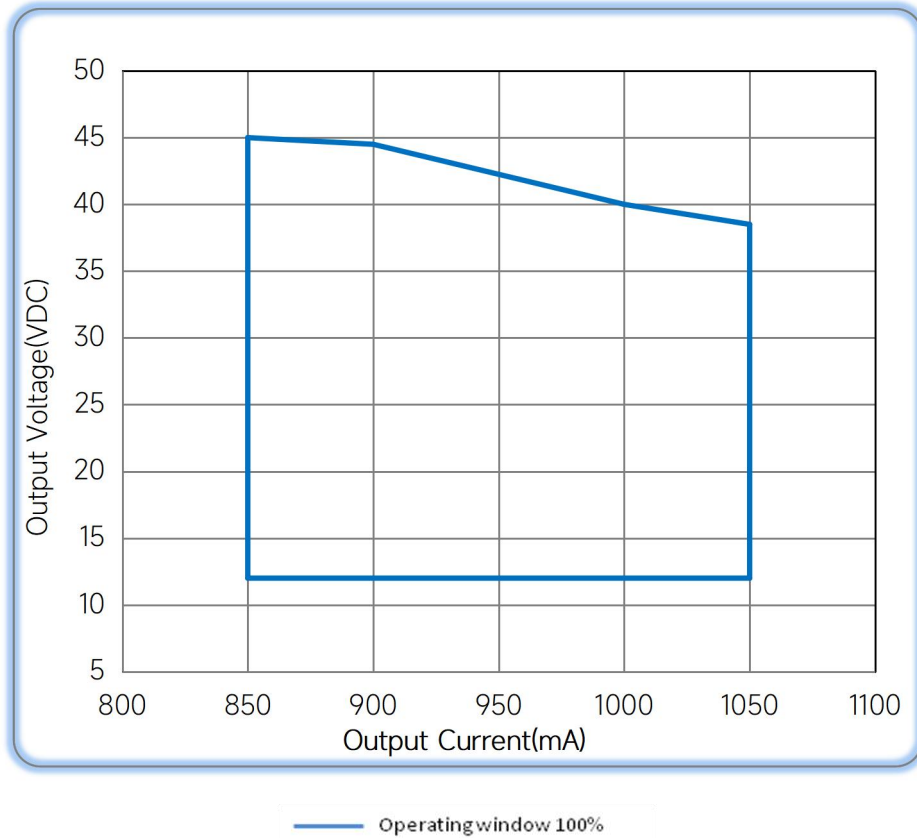
Power Factor Characteristics



THD vs. Load



Operating window



◆ Revision Updates

ITEM	BEFORE	AFTER	VERSION	DATE
Initial			A	2022/05/15

Tel: +86-0757-86256822, +86-0757-86256831

E-mail: sales@eaglerise.com

Website : <https://lighting.eaglerise.com>



EAGLERISE



Manual