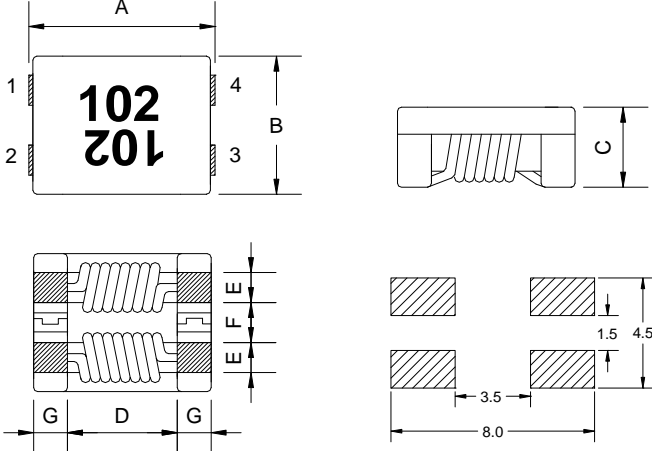


SPECIFICATION FOR APPROVAL

COMMODITY	COMMON MODE FILTER CHOKE	SPEC NO.	SP-0181004002
ITEM	JSCM 0706V-102 Green	版本：A	表單編號：QR-012-02

(1) DIMENSION: (UNIT: mm)		DIM.	TOL.
	A	7.0	±0.5
	B	6.0	±0.5
	C	3.8	MAX.
	D	3.5	TYP.
	E	1.5	±0.5
	F	1.5	±0.5
	G	1.7	±0.5

(2) ELECTRICAL CHARACTERISTIC	TEST INSTRUMENTS.																					
<table border="1" style="width: 100%; border-collapse: collapse;"> <tr> <td style="width: 30%;">IMPEDANCE</td> <td style="width: 20%;">800 (min.)</td> <td style="width: 10%;">Ω</td> </tr> <tr> <td></td> <td>1020 (typ.)</td> <td></td> </tr> <tr> <td>TEST FREQUENCY</td> <td>100</td> <td>MHz</td> </tr> <tr> <td>RDC (1 line)</td> <td>17 (max.)</td> <td>mΩ</td> </tr> <tr> <td>Rated Current</td> <td>3 (max.)</td> <td>A</td> </tr> <tr> <td>Rated Volt.</td> <td>80 (max)</td> <td>Vdc</td> </tr> <tr> <td>Insulation Resistance</td> <td>10 (min)</td> <td>MΩ</td> </tr> </table>	IMPEDANCE	800 (min.)	Ω		1020 (typ.)		TEST FREQUENCY	100	MHz	RDC (1 line)	17 (max.)	mΩ	Rated Current	3 (max.)	A	Rated Volt.	80 (max)	Vdc	Insulation Resistance	10 (min)	MΩ	<input checked="" type="checkbox"/> AGILENT 4294A Precision Impedance Analyzer. <input type="checkbox"/> AGILENT 4285A Precision L.C.R. Meter. <input type="checkbox"/> HP-4286A RF L.C.R. Meter. <input checked="" type="checkbox"/> ZENTECH 3302 Automatic Components Analyzer. <input type="checkbox"/> ZENTECH 101 L.C.R. Meter. <input type="checkbox"/> WAYNE KERR 6420 Precision Impedance Analyzer. <input checked="" type="checkbox"/> ZENTECH 1320 BIAS CURRENT. <input checked="" type="checkbox"/> ZENTECH 502AC Resistance Merter. <input type="checkbox"/> ADEX AX-1155B DC Low Ohm Meter.
IMPEDANCE	800 (min.)	Ω																				
	1020 (typ.)																					
TEST FREQUENCY	100	MHz																				
RDC (1 line)	17 (max.)	mΩ																				
Rated Current	3 (max.)	A																				
Rated Volt.	80 (max)	Vdc																				
Insulation Resistance	10 (min)	MΩ																				

REMARK :

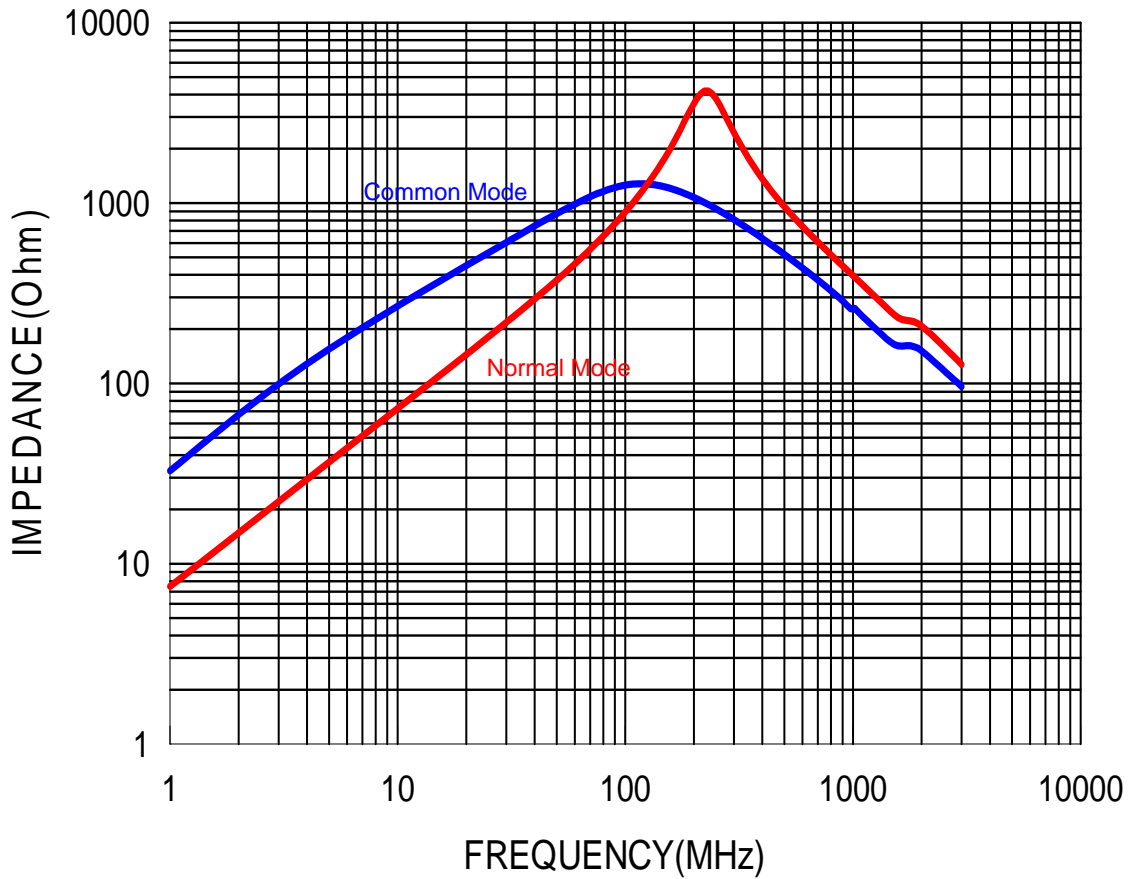
1. Operating temperature range : - 40°C to + 125°C (Including self temp. rise)
2. Storage temperature range : -40~+125°C (on board)
3. Marking : Laser Marking
4. Compatible with AEC-Q200

PURCHASER CONFIRMED	APPROVED	CHECKED	DRAWN
			

TEST REPORT

SPEC NO : SP-0181004002

Typical Impedance v.s. Frequency Curve



Check by :



Test by :



TEL : 886-2-2689-4971 FAX : 886-2-2689-4260
E-mail : jantek@jantek-elec.com.tw
Web-Site : www.jantek-elec.com.tw