

Natural[®]

AC FAN

80mm~280mm



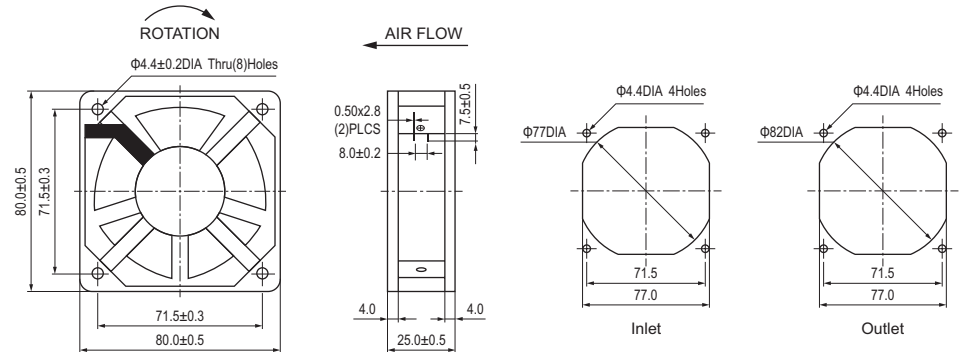
CE RoHS ISO9001

NA8025



General Specification

Size: 80×80×25mm
 Airflow: 24~39m³/hr 14-23CFM
 Weight: 208g
 Noise: 22~30dBA
 Impeller: PBT Black
 Frame: Aluminum Alloy
 Terminals: 0.5mm
 Lead Wire: AWG#22
 Motor: Shaded Pole Induction Motor
 Operation Temperature: -10°C~+65°C



Specific Parameters

Model Number	Bearing Type	Voltage (V)	Freq. (Hz)	Current (A)	Power (W)	Speed (RPM)	Noise (dBA)	Air Flow		Phase	Capacitor
								M ³ /hr	CFM		
8025-110BH	Ball	100~125	50/60	0.13	13	2300/2700	27/30	32/39	19/23	1	/
8025-230BH	Ball	200~240	50/60	0.07	13	2300/2700	27/30	32/39	19/23	1	/
8025-110BM	Ball	100~125	50/60	0.13	13	1700/2200	22/26	24/32	14/19	1	/
8025-230BM	Ball	200~240	50/60	0.07	13	1700/2200	22/26	24/32	14/19	1	/
8025-110SH	Sleeve	100~125	50/60	0.13	13	2300/2700	27/30	32/39	19/23	1	/
8025-230SH	Sleeve	200~240	50/60	0.07	13	2300/2700	27/30	32/39	19/23	1	/
8025-110SM	Sleeve	100~125	50/60	0.13	13	1700/2200	22/26	24/32	14/19	1	/
8025-230SM	Sleeve	200~240	50/60	0.07	13	1700/2200	22/26	24/32	14/19	1	/

"B" means Ball, "S" means Sleeve, "H" means High Speed, "M" means Middle Speed, Current, Speed can be customer made

