

AC FAN

80mm~280mm

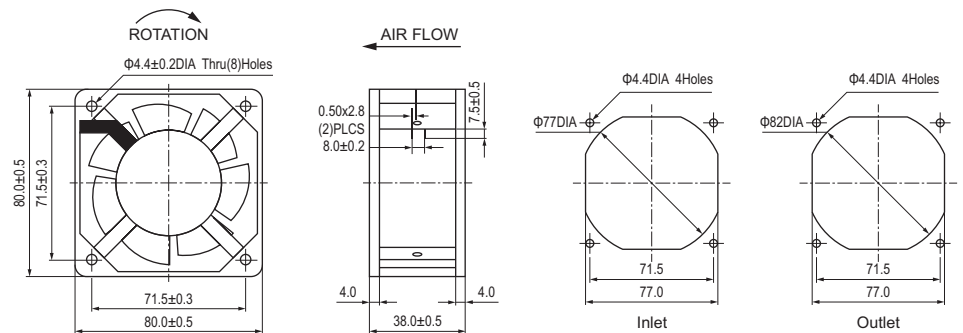


NA8038



General Specification

Size: 80×80×38mm
 Airflow: 36~48m³/hr 21-28CFM
 Weight: 310g
 Noise: 26~33dBA
 Impeller: PBT Black
 Frame: Aluminum Alloy
 Terminals: 0.5mm
 Lead Wire: AWG#22
 Motor: Shaded Pole Induction Motor
 Operation Temperature: -10°C~+65°C



Specific Parameters

Model Number	Bearing Type	Voltage (V)	Freq. (Hz)	Current (A)	Power (W)	Speed (RPM)	Noise (dBA)	Air Flow		Phase	Capacitor
								M ³ /hr	CFM		
8038-110BH	Ball	100~125	50/60	0.14	14	2400/2800	27/30	39/48	28/32	1	/
8038-230BH	Ball	200~240	50/60	0.07	14	2400/2800	27/30	39/48	28/32	1	/
8038-110SH	Sleeve	100~125	50/60	0.14	14	2400/2800	27/30	39/48	28/32	1	/
8038-230SH	Sleeve	200~240	50/60	0.07	14	2400/2800	27/30	39/48	28/32	1	/

"B" means Ball, "S" means Sleeve, "H" means High Speed, "M" means Middle Speed, Current, Speed can be customer made

