

AC FAN

80mm~280mm

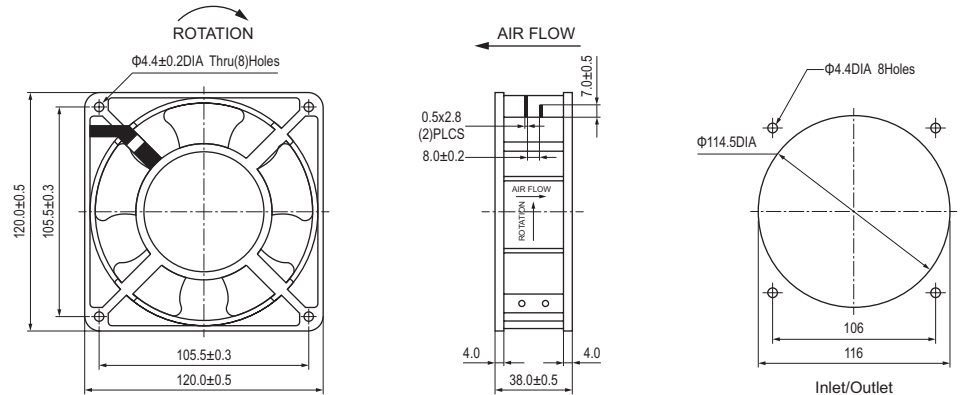


NA12038



General Specification

Size: 120×120×38mm
 Airflow: 122~162m³/hr 72-95CFM
 Weight: 480g
 Noise: 39~48dBA
 Impeller: PBT Black
 Frame: Aluminum Alloy
 Terminals: 0.5mm
 Lead Wire: AWG#22
 Motor: Shaded Pole Induction Motor
 Operation Temperature: -10°C~+65°C



Specific Parameters

| Model Number | Bearing Type | Voltage (V) | Freq. (Hz) | Current (A) | Power (W) | Speed (RPM) | Noise (dBA) | Air Flow | | Phase | Capacitor |
|--------------|--------------|-------------|------------|-------------|-----------|-------------|-------------|--------------------|-------|-------|-----------|
| | | | | | | | | M ³ /hr | CFM | | |
| 12038-110BH | Ball | 100~125 | 50/60 | 0.22/0.18 | 21/18 | 2600/3000 | 43/48 | 138/162 | 82/95 | 1 | / |
| 12038-230BH | Ball | 200~240 | 50/60 | 0.14/0.12 | 21/18 | 2600/3000 | 43/48 | 138/162 | 82/95 | 1 | / |
| 12038-380BH | Ball | 380 | 50/60 | 0.09/0.07 | 21/18 | 2600/3000 | 39/44 | 138/162 | 82/95 | 1 | / |
| 12038-110SH | Sleeve | 100~125 | 50/60 | 0.22/0.18 | 21/18 | 2600/3000 | 43/48 | 138/162 | 82/95 | 1 | / |
| 12038-230SH | Sleeve | 200~240 | 50/60 | 0.14/0.12 | 21/18 | 2600/3000 | 43/48 | 138/162 | 82/95 | 1 | / |
| 12038-380SH | Sleeve | 380 | 50/60 | 0.09/0.07 | 21/18 | 2600/3000 | 39/44 | 138/162 | 82/95 | 1 | / |

"B" means Ball, "S" means Sleeve, "H" means High Speed, "M" means Middle Speed,
 Current, Speed can be customer made

