

AC FAN

80mm~280mm

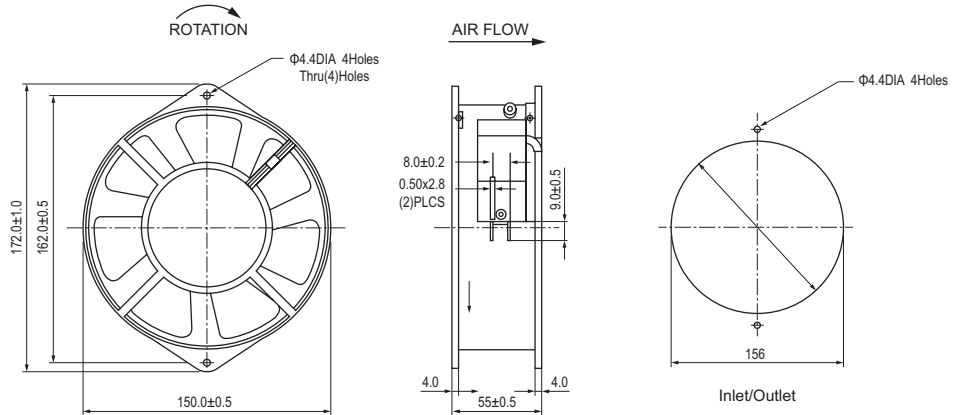


NA17055



General Specification

Size: 170×150×55mm
 Airflow: 289~408m³/hr 170-240CFM
 Weight: 1200g
 Noise: 47-54dBA
 Impeller: Iron Leaf
 Frame: Aluminum Alloy
 Terminals: 0.5mm
 Lead Wire: AWG#22
 Motor: Capacitor-Run External Motor
 Operation Temperature: -10°C~+105°C



Specific Parameters

Model Number	Bearing Type	Voltage (V)	Freq. (Hz)	Current (A)	Power (W)	Speed (RPM)	Noise (dBA)	Air Flow		Phase	Capacitor
								M ³ /hr	CFM		
17055-110BH	Ball	100~125	50/60	0.54	36	2650/2900	52	320/400	220/263	1	/
17055-230BH	Ball	200~240	50/60	0.30	36	2650/2900	52	320/400	220/263	1	/

"B" means Ball, "H" means High Speed
 Current, Speed can be customer made

